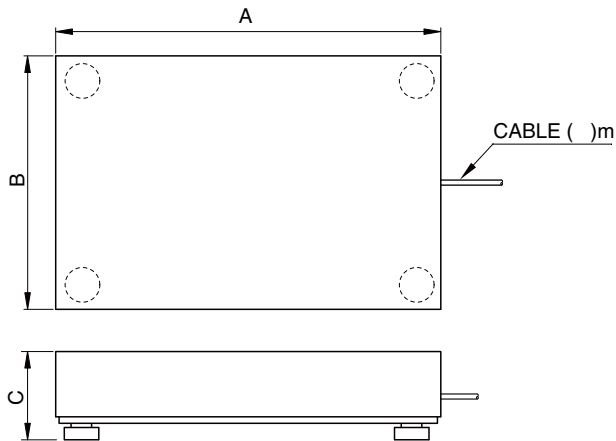
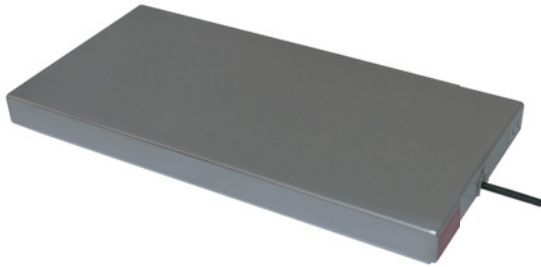


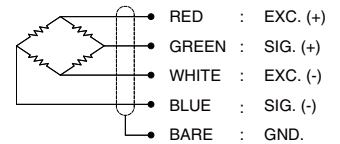
Customized Weighing Platform



SPECIFICATIONS

Available capacity	50kg ~ 2000kg
Accuracy	≤0.1% ~ 0.02%
Load cell	Single point or 4 points load cell
Recommended excitation	3~12V(Recommended), 15V(Max.)
Protection class	meets IP 65 / 67
Platform cover	Stainless steel (SUS304, Sold separately)
Safe overload	150% R.C

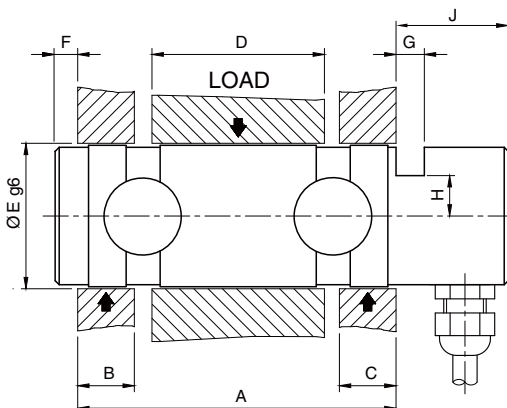
WIRING INFORMATION



Rated Capacity	A	B	C

* Dimensions should be notified

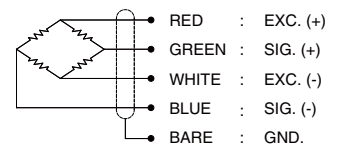
Customized Pin Type Load Cell



SPECIFICATIONS

Available capacity	500kg ~ 200t
Accuracy	≤0.5% ~ 2.0%
Compensated temperature range	-10 ~ 70°C
Operating temperature range	-20 ~ 80°C
Excitation voltage	3~12V(Recommended), 15V(Max.)
Electrical connection	Ø7mmx3m(22AWG x 4Core Shielded)
Protection class	meets IP 67
Safe overload	150% R.C
Material	Alloy steel / Stainless steel

WIRING INFORMATION



Rated Capacity	A	B	C	D	ØE	F	G	H	J

* Dimensions should be notified

* Specifications are subject to change without notice

APR, 2018