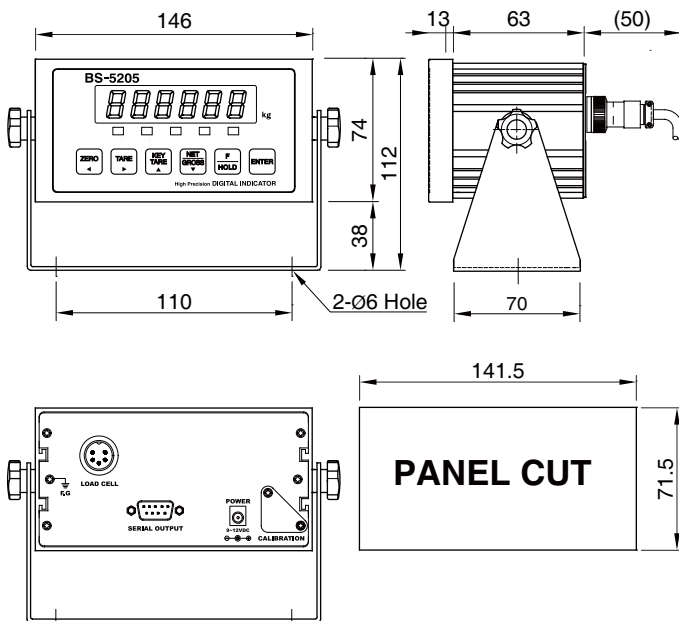


Model BS-5205 Series

High Precision Digital Indicator



ORDERING INFORMATION

BS-5205 - 1 0

MODEL
BS-5205

Output
0 : RS-232C Serial Output (Standard)
1 : RS-485 Serial Output (Option)

Operating voltage
DC 9~12V (AC 220V / DC 9V Adaptor)

For:

- Industrial Weighing Applications

Features:

- 24 Bit sigma-delta A/D converter for high accuracy
- Full digital calibration
- Simulative(mV/V memory) or live load calibration
- 1/20,000 Display Resolution
- Self-Check & Watch-Dog function
- Panel mounting available

SPECIFICATIONS

| | | |
|---------------------------|---|-----------------------|
| Analog signal Input range | 0mV ~ ±20mV (±4mV/V) | |
| Non-linearity | 0.01% F.S. max. | |
| Max. display resolution | 1/20,000 | |
| Min. input sensitivity | 0.2µV/Digit | |
| Temperature Drift | Zero : ±0.1µV/°C RTI max. SPAN : 5ppm/°C max. | |
| Load Cell Excitation | DC 5V , 60mA (350 ohm x 4 load cell) | |
| Input noise | ±0.3µVpp | |
| Input impedance | 10MΩ | |
| A/D converter | 24bit sigma-delta | |
| A/D internal resolution | 1/200,000 | |
| A/D Sampling speed | 10 times/sec | |
| Display | 7 segments LED (14mm), 6 digit | |
| Maximum Display | -99999 ~ +99999 | |
| Display speed | 10times/sec ~ 2times/sec | |
| Polarity indication (-) | "-" Minus sign | |
| Annunciators | Zero, Stable, Net, Tare, Hold | |
| Display increments | 1,2,5,10,20,50 selectable | |
| Decimal points | Selectable to any points | |
| Operating Voltage | DC 9~12V (AC 220V / DC 9V 1000mA Adaptor) | |
| Power Consumption | Approx. 10VA | |
| Operating Temperature | -10°C ~ 50°C | |
| Output | Standard | RS-232C Serial output |
| | Options | RS-485 Serial output |
| Accessories (Standard) | 1) AC Adaptor 2) Mounting Stand 3) Connector for Sensor | |
| Weight | Approx. 800g | |

* Specifications are subject to change without notice

APR, 2018