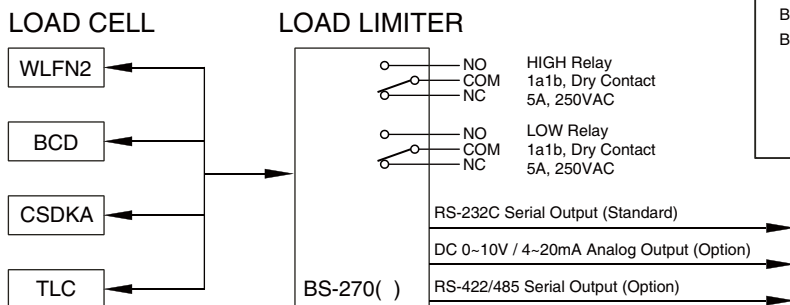
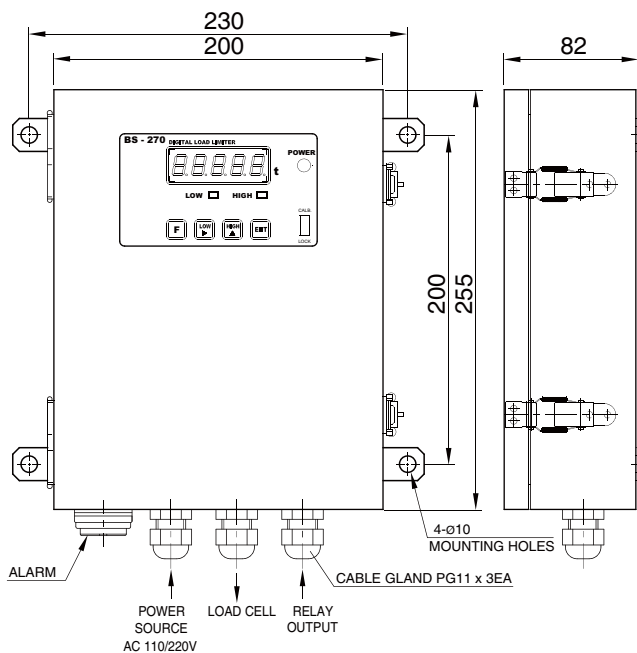


Model BS-270 Series

High Precision Load Limiter

(KOSHA Approved)



For:

- Load limiter
- Overload limiting applications

Feature:

- 2 Set point Relay output
- 5 digits LED display
- Easy installation

SPECIFICATIONS

Analog signal Input range	+1mV ~ +34mV	
Non-linearity	0.01% F.S. max.	
Max. display resolution	1/10,000	
Min. input sensitivity	0.3µV/Digit	
Temperature Drift	Zero : ± 0.2µV/°C RTI max. SPAN : 20ppm/°C max.	
Load Cell Excitation	DC 10V , 300mA (350 ohm x 4 load cell)	
Input noise	±0.3µVpp	
Input impedance	10MΩ	
A/D converter	24bit sigma-delta	
A/D internal resolution	1/200,000	
A/D Sampling speed	10 times/sec	
Display	LED, 7 segments red, 13mm high	
Display speed	10times/sec	
Polarity indication (-)	"-" Minus sign	
Annunciators	Low, High	
Display increments	1,2,5,10,20,50-selectable	
Decimal points	Selectable to any points	
Operating Voltage	AC 110/220V ±10%, 50/60Hz	
Power Consumption	Approx. 10VA	
Operating Temperature	-10°C ~ 40°C	
Output	Standard	2 Set point Relay output RS-232C serial output
	Options	1) DC 0~10V (Voltage output) 2) DC 4~20mA (Current output) 3) RS-422/485 serial output
Weight	Approx. 3.0kg	

ORDERING INFORMATION

BS-270 () - 1 0	
MODEL	Output
BS-270 : For WLFN2	0 : 2 Set point relay output (Standard) RS-232C serial output (Standard)
BS-270B : For BCD	
BS-270C : For CSDKA	1 : DC 0~10V analog output (Option) 2 : DC 4~20mA analog output (Option) 3 : RS-422/485 serial output (Option)
BS-270T : For TLC	
	Operating voltage
	1 : AC 110V, 50/60Hz 2 : AC 220V, 50/60Hz

* Specifications are subject to change without notice

APR, 2018