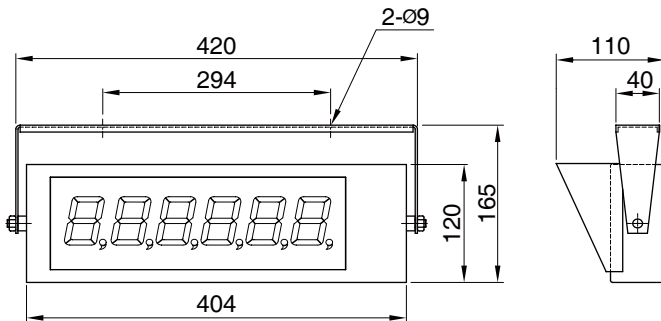


## Large Display Series BLD - 236

- High brightness LED (height 57mm)
- RS-232C, RS-485, Current Loop
- Wall mounting type
- Uniform brightness and wide angle viewing

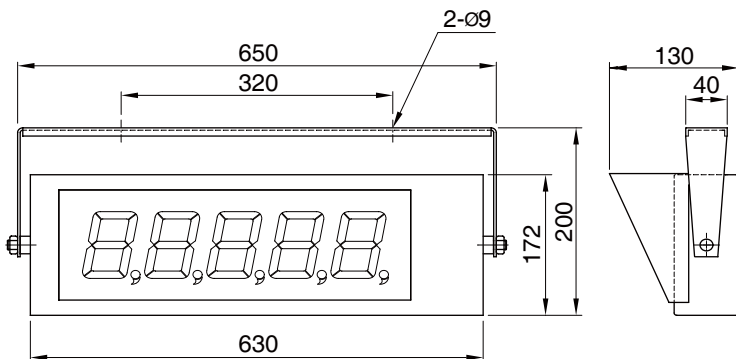


### SPECIFICATION

Model	<b>BLD - 236</b>
Display	High brightness 2.3-inch 7-segment numeric LED display
Digit	6 Digits
Size of digit	56.9 mm High
LED color	Red
Interface	RS-232C, RS-485, Current loop
Operating temp.	-10 ~ 60 °C
Power supply	AC 110/220V, 1PH, 50/60 Hz or DC 12V
Power consumption	Appr. 2VA

## BLD - 405

- High brightness LED (height 100mm)
- RS-232C, RS-485, Current Loop
- Wall mounting type
- Uniform brightness and wide angle viewing



### SPECIFICATION

Model	<b>BLD - 405</b>
Display	High brightness 4-inch 7-segment numeric LED display
Digit	5 Digits
Size of digit	100 mm
LED color	Red
Interface	RS-232C, RS-485, Current loop
Operating temp.	-10 ~ 60 °C
Power supply	AC 100 ~ 240V, 1PH, 50/60 Hz or DC 12V
Power consumption	Appr. 3VA

\* Specifications are subject to change without notice

APR, 2018