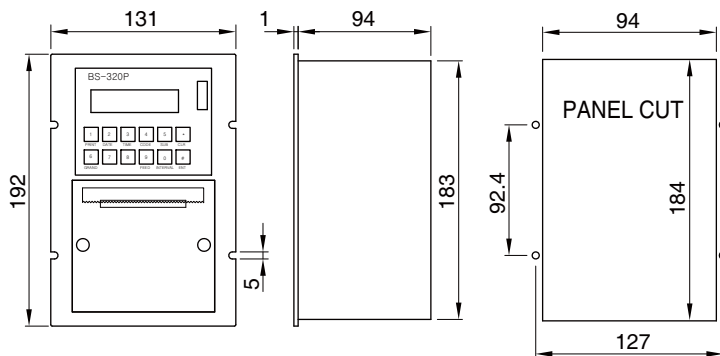


Model BS-320P

Dot Printer



For:

- Industrial Weighing Applications

Features:

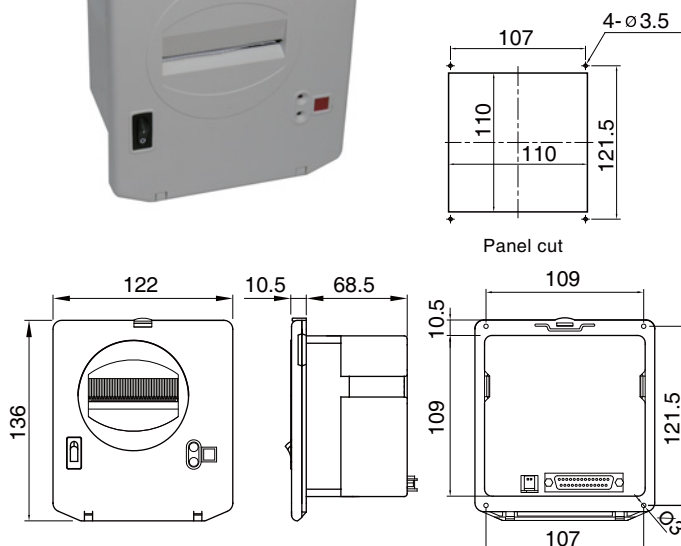
- Compact design
- Panel mount type
- High speed printing
- Year, date, time printing
- Sub, grand total printing

SPECIFICATIONS

| | |
|------------------------|----------------|
| Printing method | Dot matrix |
| Number of columns | 30C |
| Printing width | 57mm x 50mm |
| Printing speed | 1.5 line/sec |
| Paper roll | 57 x 50 |
| Ink color | Black |
| Character size (W x H) | 5 x 7 matrix |
| Interface | RS-232C serial |
| Operating temperature | 0 ~ 50°C |
| Power supply | DC 12V(1.5A) |

Model BS-6026

Impact Dot / Thermal Printer



For:

- Industrial Weighing Applications

Features:

- Compact design
- Panel mount type
- High speed printing

SPECIFICATIONS

| | | |
|------------------------|------------------------------|----------------|
| Printing method | Impact dot matrix | Thermal type |
| Number of columns | 30/40 Columns | 36 Columns |
| Printing width | 57mm | |
| Printing speed | 1.5 line / sec | |
| Paper roll | 57 x 50 | |
| Ink ribbon | ERC - 09 | EPLK 1901 |
| Ink color | Black | |
| Character size (W x H) | 5 x 7 matrix | 12 x 48 matrix |
| Interface | RS-232C serial / Parallel | |
| Operating Temperature | 0 ~ 50°C | |
| Power supply | DC 12V (1.6A) / DC 5V (2.5A) | |

* Specifications are subject to change without notice

APR, 2018