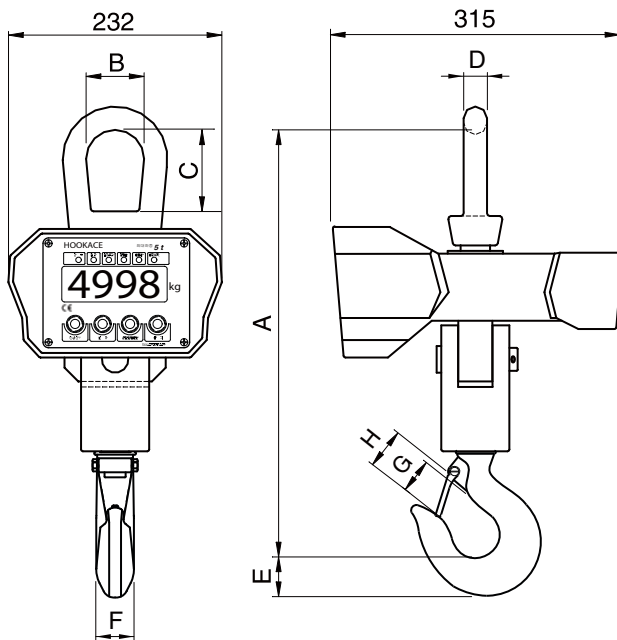


HOOKACE

Crane Scale (1t ~ 5t)



Features;

- Compact design & High accuracy
- Cast aluminium housing
- 25mm height LED display
- Sturdy swivel hook("Crosby" or equivalent)
- 24bit Sigma-delta A/D converter
- Easy access rechargeable battery
- Watertight push button switch

SPECIFICATIONS

Model	LCBE		
Capacity (Max.)	1000kg	3000kg	5000kg
Division (e=d)	0.5kg	1kg	2kg
Display	LED (25mm)		
Power	6 volt lead-acid rechargeable battery		
Battery operating time	80 hours between recharging		
Recharging time	Approx. 4 hours		
Operating temperature	-10°C ~ 40°C		
Enclosure	Cast aluminium		
Safe overload	150% of rated capacity		
Ultimate overload	500% of rated capacity		
Hook	Swivel hook with thrust bearing		
Switches	On/Off, Zero, Net/Gross, Tare		
Annunciators(LED lamp)	Continuation(Auto power OFF), Zero, Net, Gross		
Accessories	1) Battery, 6 volt rechargeable 2) Battery charger(Free voltage, AC85~260V)		
Option	1) I.R. Remocon 2) Wireless Handy Indicator(Model : BS-52R) 2.4GHz Bluetooth Communication 3) Wireless Desktop Indicator / Large Display		

ORDERING INFORMATION

LCBE - 3T
 MODEL CAPACITY
 LCBE 1, 3, 5 ton

Dimension-mm

MODEL	Capacity	A	B	C	D	E	F	G (with latch)	H (without latch)	Weight(kg)
LCBE - 1 t	1000kg x 0.5kg	370	50	65	19	29	24	29.5	30.2	12 kg
LCBE - 3 t	3000kg x 1kg	448	63	85	25.4	37	33	35.8	38.1	16 kg
LCBE - 5 t	5000kg x 2kg	480	63	85	25.4	46	42	42.9	45.2	19 kg

* Specifications are subject to change without notice

APR, 2018