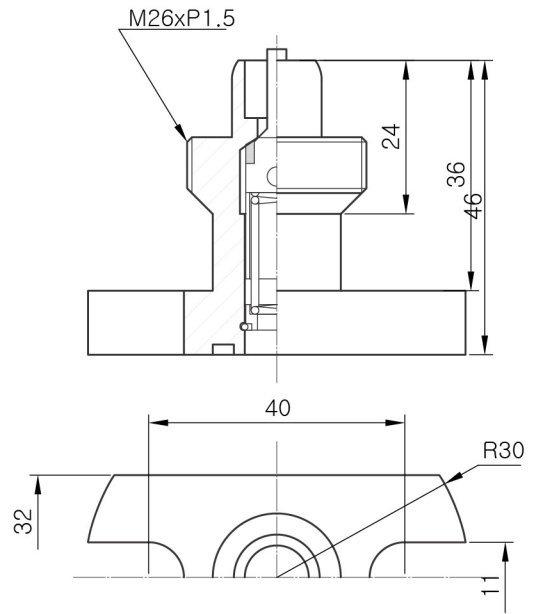
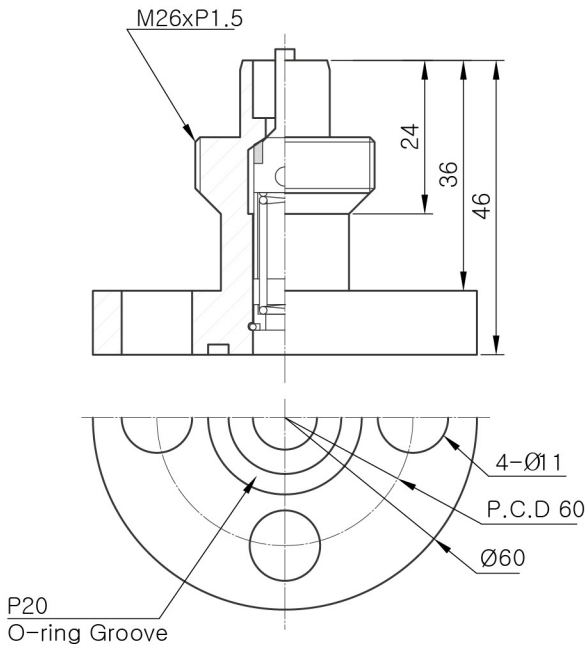
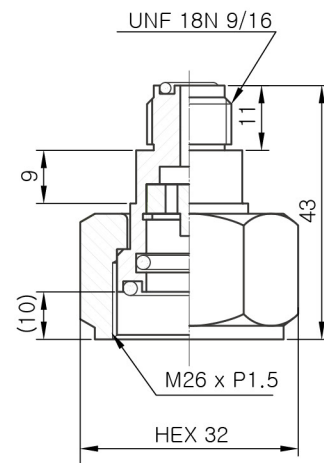
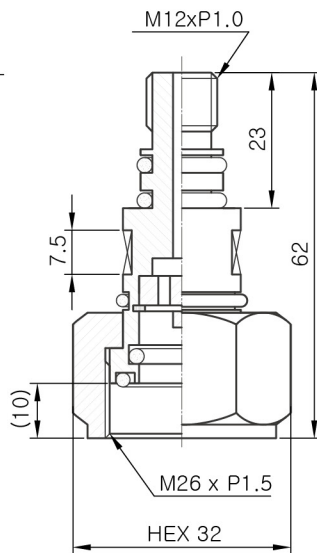
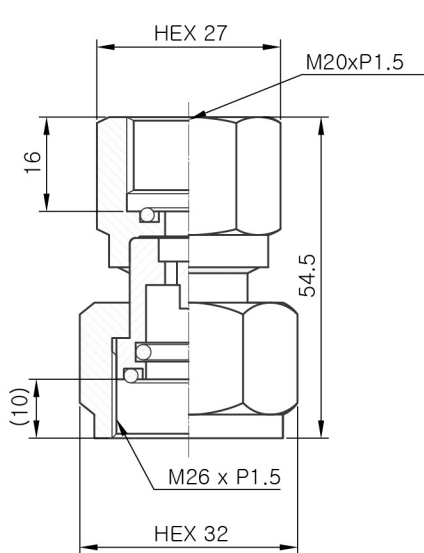


# DN8 CONNECTIONS



Part No. : BK-NR8N-A00  
Material : Aluminum

Part No. : BK-NR8N-A00[H01]  
Material : Aluminum



Part No. : BK-NR8H-A00  
Material : Brass  
Screw Type : BSP1/2, PF1/2  
M20xP1.5  
Usage : Connection for gauge

Part No. : BK-AD8-A00  
Material : Brass

Part No. : BK-NR07-P00  
Material : Stainless steel