

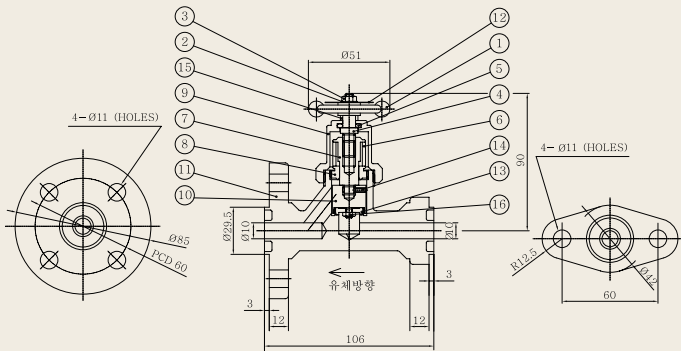
Gas Valves



- Part No : BK-G08B-A00
- Application : Gas Insulated Switchgear
Gas Circuit Breaker
- Fluid : GAS(SF6)
- Working Pressure : 15kgf/cm²
- Material : Brass

Material

No	PART NAME	MATERIAL
1	HANDLE	Zn
2	SP WASHER	SUS304(Stainless Steel)
3	NUT	SUS304(Stainless Steel)
4	SPINDLE	SUS304(Stainless Steel)
5	O-RING	NBR
6	BELLOWS	C5212(Phosphor Bronze)
7	PIPE	C3604(Brass)
8	GUIDE	C3604(Brass)
9	CAP NUT	C3771(Brass)
10	SEAT	C3604(Brass)
11	BODY	C3771(Brass)
12	NAME PLATE	Aluminium
13	DISC	TEFLON
14	SET SCREW	SUS304(Stainless Steel)
15	SPACER	C3604(Brass)
16	NUT	SUS304(Stainless Steel)



- Part No : BK-G08-B00
- Application : Gas Insulated Switchgear
Gas Circuit Breaker
- Fluid : GAS(SF6)
- Working Pressure : 15kgf/cm²
- Material : Brass

Material

No	PART NAME	MATERIAL
1	HANDLE	Zn
2	SP WASHER	SUS304(Stainless Steel)
3	NUT	SUS304(Stainless Steel)
4	SPINDLE	SUS304(Stainless Steel)
5	O-RING	NBR
6	BELLOWS	C5212(Phosphor Bronze)
7	PIPE	C3604(Brass)
8	GUIDE	C3604(Brass)
9	CAP NUT	C3771(Brass)
10	SEAT	C3604(Brass)
11	BODY	C3771(Brass)
12	NAME PLATE	Aluminium
13	DISC	TEFLON
14	SET SCREW	SUS304(Stainless Steel)
15	SPACER	C3604(Brass)
16	NUT	SUS304(Stainless Steel)

