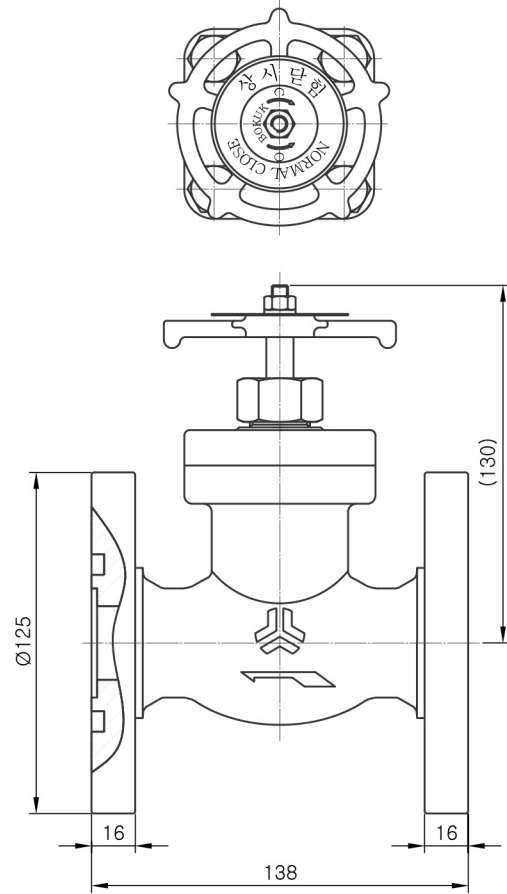
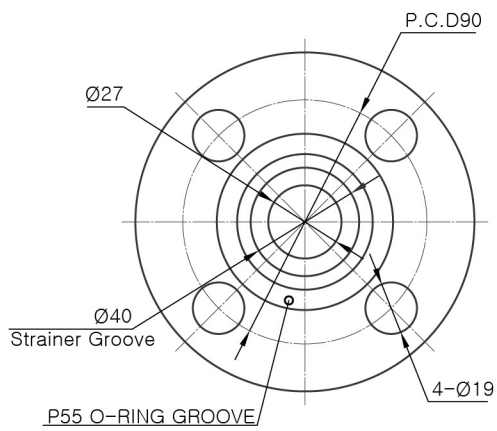


BK-G25-A00

1. Fluid : SF₆ Gas
2. Working Pressure : 10Kg/Cm²
3. Working Temperature : -20°C~60°C
4. Leakage Level : -10(Vacuum)~10Kg/Cm²
5. Leakage Condition : On10~12Kg/Cm²
Below 1x10⁻⁶cc/sec
6. Inner Pressure Test : 15Kg/Cm²(Air)



Gas Valve Field Application

