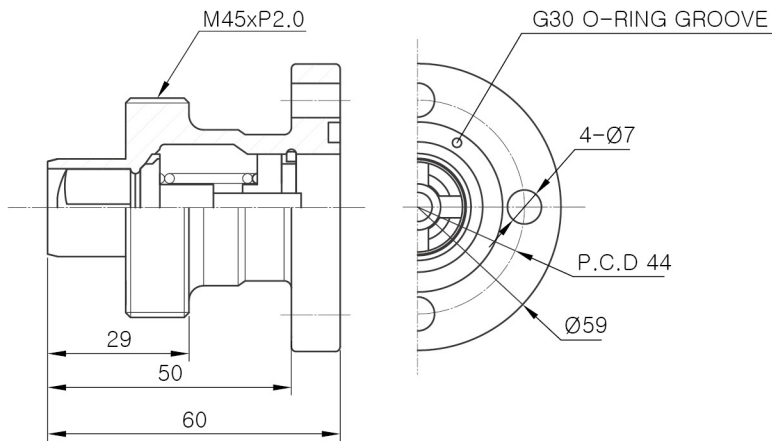
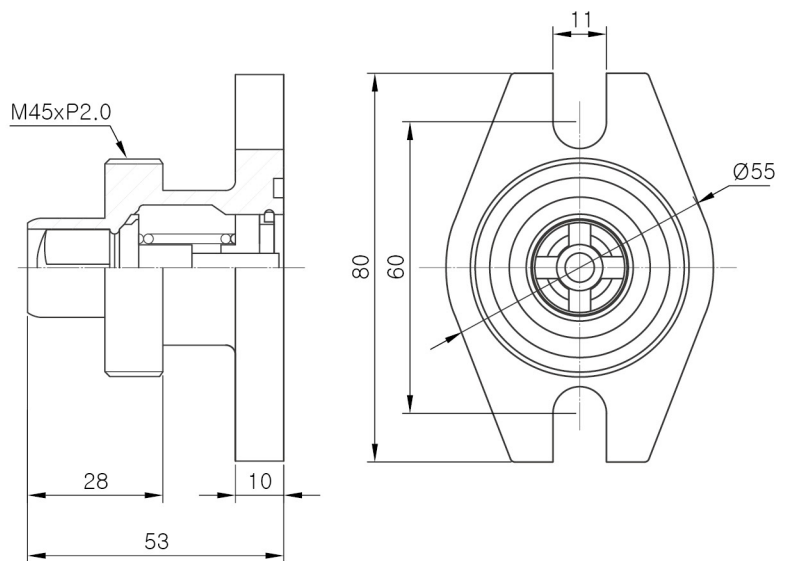


- Part No. : BK-NRC20-A00[H01]
- Material : Aluminum or Brass
- Assembly Seal Type : Metal

- Part No. : BK-NRC20-A00
- Material : Aluminum or Brass
- Assembly Seal Type : O-Ring



- Part No. : BK-NR20J-A00
- Material : Aluminum



- Part No. : BK-NR20-G00
- Material : Aluminum