

# CKMA-H2010



## FEATURES

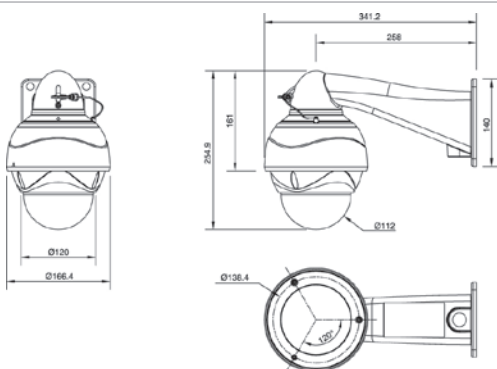
- Max. 2M(1920 x 1080) @30fps
- 12x(5~60mm) optical zoom, 10x digital zoom
- WDR / Day&Night (Auto ICR)
- 210 Preset, 8 Pattern, 8 Scan, 8 Tour
- 4 Sensor Inputs & 1 Relay Output
- 360° Endless Pan, Tilt/ Zoom
- AC24V

## OPTION

Heater type : AC24V, 25W / -40°C~50°C

## DIMENSION

Unit : mm



## SPECIFICATION

MODEL	CKMA-H2010
<b>CAMERA</b>	
Image Sensor	1/3" 2.1 Megapixel Sony Progressive CMOS
Zoom	12x Optical Zoom and 10x Digital Zoom
Focal Length	f = 5.0 ~ 60.0 mm
Min. Illumination	1.0Lux
Day&Night	Auto / Day / Night (ICR)
WDR	On / Off
3DNR	On / Off
<b>PAN/TILT</b>	
Range	Pan : 360° (Endless) Tilt : 180°
Pan/Tilt Speed	Preset : 360°/ sec
Preset	210 Positions with Camera Status
Pattern	8 Patterns
Scan	8 Auto Scan Including Vector scan
Tour	8 Tours (Preset, Pattern, Scan)
<b>GENERAL</b>	
Sensor In/Out	Built-in 4 Input / 1 Output
OSD	Display camera ID, Title, Mode, Angle on screen (Multi-Language)
Video Out	HD-SDI: 1080p@30fps, 25fps 720p@60fps, 50fps, 30fps, 25fps TV Output: NTSC / PAL Selectable
Communication	RS-485
Power	AC24VAC, 950 mA
Approvals	FCC, CE, IP66, ROHS
Outdoor Housing	Weather proof/Vandal Proof Structure Color: White Pearl
Operating Temp.	-10°C ~ 50°C / 14°F ~ 122°F
Weight	3.5 Kg (with wall mount)
Dimension	Ø166 x 255(H) mm