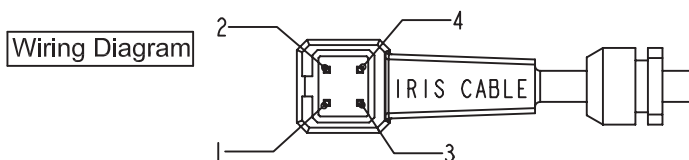
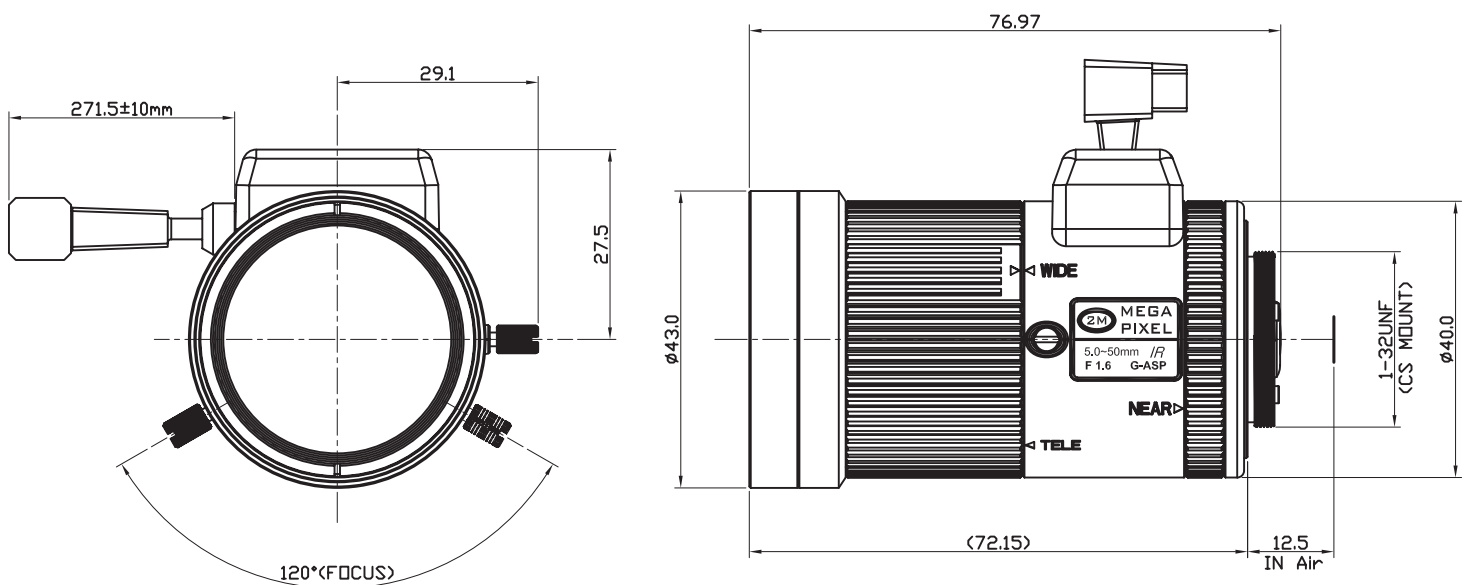


Model : BW2M5050CS-1000
(Aspherical Glass)

Model NO.		BW2M5050CS-1000		Effective Lens Aperture	Front	-	
					Rear	-	
Focal Length		5.0 ~ 50.0		Back Focal Length		7.68 IN Air	
F - Number		1 : 1.6		Mechanical BFL		12.5 IN Air	
Sensor Size		1/2.7"		Mount Type		CS Mount	
Operation	Iris	AUTO (F1.6~360)		Dimensions		φ43.0 x 77.0	
	Focus	-		Weight		-	
Object Size at 50cm	5.0mm	-		Objective Dimension at M. O . D .		-	
	50.0mm	-					
Angle of View	D (W~T)	1/2.7"	66°~ 7.4°		Remarks Elements : (1Aspherical Glass) IMAGE Circle : φ 6.62 *2Mega Pixel		
	H (W~T)		58°~ 6.5°				
	V (W~T)		33°~ 3.7°				
IRIS	DRIVE	190Ω					
	DAMPING	855Ω					

Dimensions



		Action Voltage		
1	Damping (-)	855Ω ±10%	Close→Open	Open Under 3.5V / 20°C
2	Damping (+)		Open→Close	Close Above 0.5V / 20°C
3	Drive (+)	190Ω ±10%	Open→Close	Close Above 0.5V / 20°C
4	Drive (-)		Close→Open	Open Under 3.5V / 20°C

* Subject to change Without notice