

INDUSTRIAL WEIGHING SOLUTION™



Rechargeable battery



Backlight



Counting

DBI SERIES

Weighing Indicator

Connectable with various sizes of weighing platform scales for versatile applications such as open markets and retail stores. DBI offers various convenient functions including counting, weight comparison and percentage functions at economic price.

- 3,000 division with OIML approval
- Ticket print-out (DEP-50)
- Calculation functions
- RS-232C interface



CAS

DBI SERIES | Weighing Indicator



SPECIFICATIONS

Model	DBI
Input sensitivity	1.25 μ V
Load cell connection	1 Load cell of 350 Ω
Load cell input voltage	DC 5V
Zero calibration	< 0.0 mV
A/D type	Sigma delta
A/D internal resolution	1/60,000
A/D external resolution	1/3,000
A/D conversion speed	20 times/sec
Display	25mm 6 digits LCD
Power	12 VDC 6V DC Pb battery
Dimensions(mm)	278[W]x145[D]x187[H]
Product weight (kg)	1.5 kg

FEATURES

- 3,000 division under OIML
- Large LCD display with backlight (20mm)
- Wide application functions for bench & platform scales
- Counting & percentage mode
- Accumulation mode (Σ)
- Weight comparison (HI/LOW/OK)
- Ticket print-out (DEP-50)
- RS-232C interface
- Rechargeable battery (Approx. 100 hours)
- Auto power off function

OPTIONS

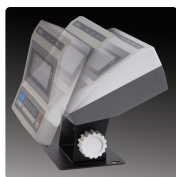
- Stand bracket
- Wall bracket
- DEP-50 (Ticket printer)



DEP-50



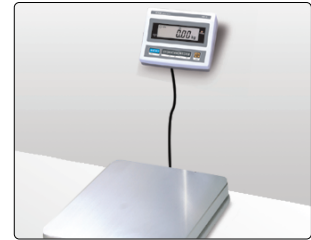
Stand bracket



Wall bracket

Two connecting methods (stand / wall)

- DBI indicator can be connected with various sizes of platform. It can be hung on wall and also placed on floor.



Label & Ticket print-out (with DEP-50)

- DBI can be connected with ticket printer via RS-232C port

-Weighing Function-	
===== WEIGHT =====	
WELCOME TO CAS[DB-2] CAS	
2000-00-00 00:00:00	
Weight :	0.000 kg
- WEIGHT LIMIT SET VALUE -	
Limit (H):	40.000 kg
Limit (L):	30.000 kg

Weighing function

-Counting Function-	
===== COUNT =====	
WELCOME TO CAS[DB-2] CAS	
2000-00-00 00:00:00	
Weight :	40.200 kg
U/Weight :	0.80400 kg
Quantity :	50 pcs
- COUNT LIMIT SET VALUE -	
Limit (H):	2000 pcs
Limit (L):	1000 pcs

Counting function

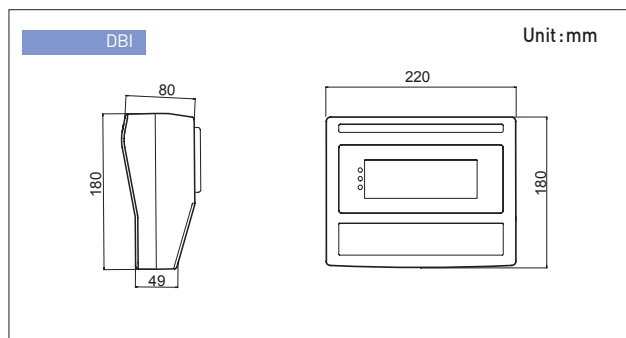
Large LCD display with backlight

- DBI's large LCD display is equipped with backlight function, which allows users to view results clearly.



Function Accumulation Count

DIMENSIONS



CAS

CAS BLDG., # 440-1, SUNGNAE-DONG,
GANGDONG-GU, SEOUL, KOREA

TEL_ 82 2 2225 3500

FAX_ 82 2 475 4668

<http://www.globalcas.com>

Specifications are subject to change for improvement without prior notice.