

NT-200 SERIES

Weighing Indicators

- Compact weighing Indicator with a high resolution
- 6 wire and 4 wire load cell support
- PC command mode



NT-200 SERIES

Weighing Indicators

SPECIFICATIONS

Model	NT-200 Series
Input Sensitivity	2 μ V/D
Loadcell Excitation Voltage	DC 5V (up to 6 EA)
Zero Calibration	0.05mV ~ 5mV
A/D Internal Resolution	1/200,000
A/D External Resolution	1/5,000 (OIML, KS) 1/20,000 (Non OIML)
A/D Conversion Rate	60 times/sec
Span Calibration	Full digital calibration (single pass automatic span calibration)
Display	200A / 200S : LED(6 digit, H=25mm) 201A / 201S : LCD(6 digit, H=24mm)
Operating Temp.	-10°C ~ 40°C
Power Source	AC 110V/220V(Adapter:DC 9V, 600mA)
Dimensions (mm) (without bracket)	200A / 201A: 97(H) x 220(W) x 53(D) 200S / 201S: 130(H) x 220(W) x 53(D)
Product Weight (kg)	200A/ 201A: 0.5kg , 200S/ 201S: 1kg

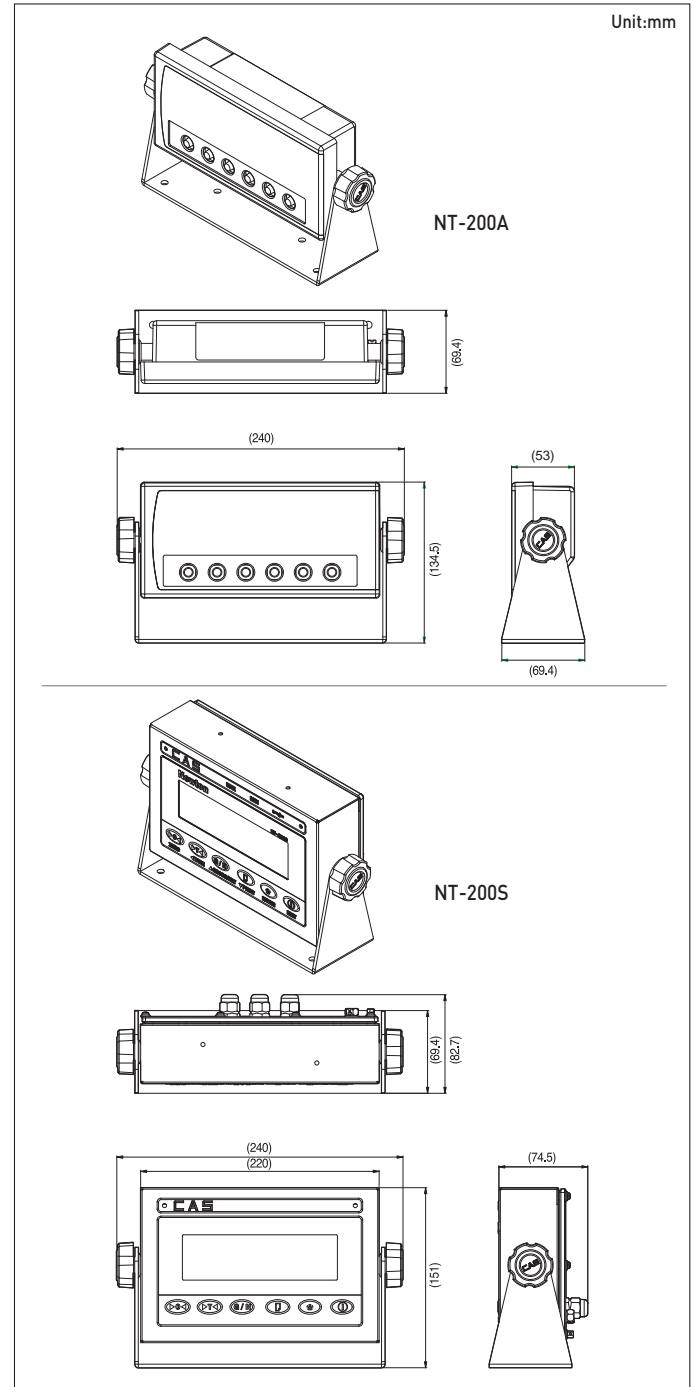
FEATURES

- High resolution compact indicator
- 6 wire and 4 wire loadcell support
- RFI/EMI screened
- Multi-points linearization (4 points)
- Serial port RS-232
- PC command mode
- Stainless steel bracket

OPTIONS

- RS-485/422
- Real Time Clock

DIMENSIONS



CAS

CAS BLDG., # 440-1, SUNGNAE-DONG,
GANGDONG-GU, SEOUL, KOREA

TEL_ 82 2 2225 3500

FAX_ 82 2 475 4668

<http://www.globalcas.com>

Specifications are subject to change for improvement without prior notice.