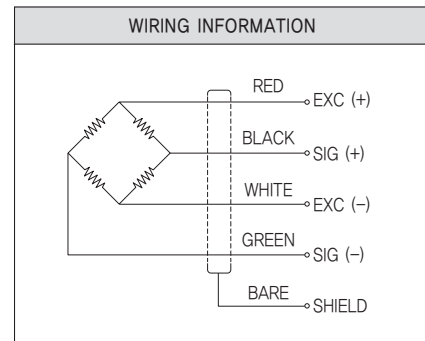
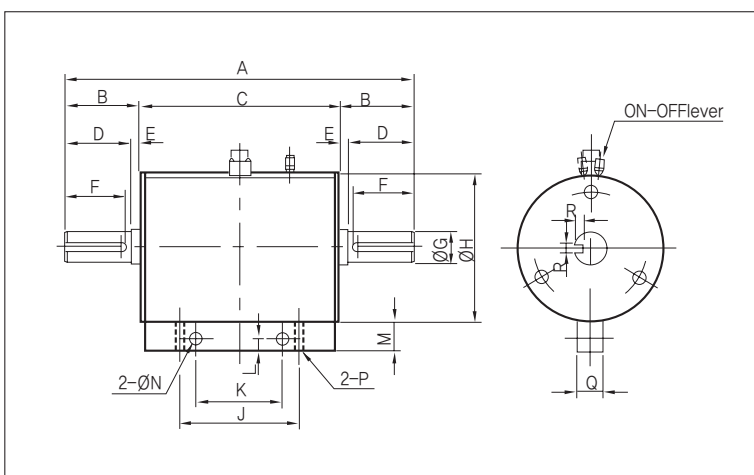
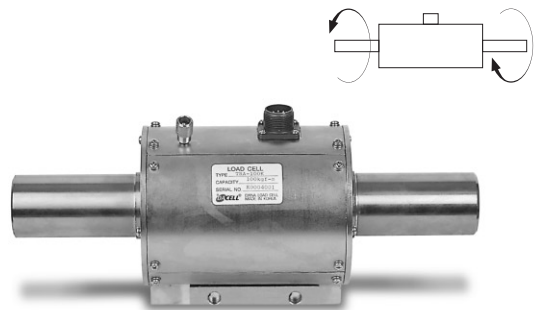


SHAFT TYPE TORQUE SENSORS

Model TRA

Model TRA load cell measure the torque of continuous rotating object. Platinum coated connector provides long term signal stability and high accuracy. These models are most appropriate for industrial measurement. Applications include the performance testers for automotive components such as clutches, transmissions, motors and pumps.

※Option : Foot mount.



SPECIFICATIONS

Specifications	Accuracy
Rated capacity(R.C.)	1~300kgf-m (9.807N-m~2,942kNm)
Rated output(R.O.)	1.5mV/V±1%(1~5kgf-m:1mV/V)
Nonlinearity	0.3%R.O.
Hysteresis	0.2%R.O.
Repeatability	0.3%R.O.
Excitation recommended	10V
Terminal resistance	350Ω ±1%
Insulation resistance bridge	200MΩ
Temperature effect, on rated output	0.2% Load/10°C
Temperature effect, on zero balance	0.3% R.O/10°C
Safe overload	120% R.C.
Cable length	Ø7.4core cable 3m

DIMENSIONS TABLE

unit:mm

Model	Capacity	A	B	C	D	E	F	ØG	ØH	J	K	L	M	N	P	Q	R	R.P.M	Weight(kg)
TRA-1K	1kgf-m (9.807N-m)	203	43	117	38	5	35	18	85	90	50	7	17	7	M6	15	5×5	5000	3
TRA-2K	2kgf-m (19.61N-m)	203	43	117	38	5	35	18	85	90	50	7	17	7	M6	15	5×5	5000	
TRA-5K	5kgf-m (49.03N-m)	203	43	117	38	5	35	18	85	90	50	7	17	7	M6	15	5×5	5000	
TRA-10K	10kgf-m (98.07N-m)	240	55	130	50	5	45	32	100	90	50	7	17	7	M6	15	10×8	5000	7
TRA-20K	20kgf-m (196.1N-m)	240	55	130	50	5	45	32	100	90	50	7	17	7	M6	15	10×8	4000	
TRA-50K	50kgf-m (490.3N-m)	340	95	150	90	5	85	47	118	100	60	8	20	9	M8	17	12×8	4000	12
TRA-100K	100kgf-m (980.7N-m)	340	95	150	90	5	85	47	118	100	60	8	20	9	M8	17	12×8	4000	
TRA-200K	200kgf-m (1.961kN-m)	360	103	154	100	3	95	63	135	100	60	8	20	9	M8	17	18×11	4000	23
TRA-300K	300kgf-m (2.942kN-m)	360	103	154	100	3	95	63	135	100	60	8	20	9	M8	17	18×11	3000	

★Specifications are subject to change without notice.