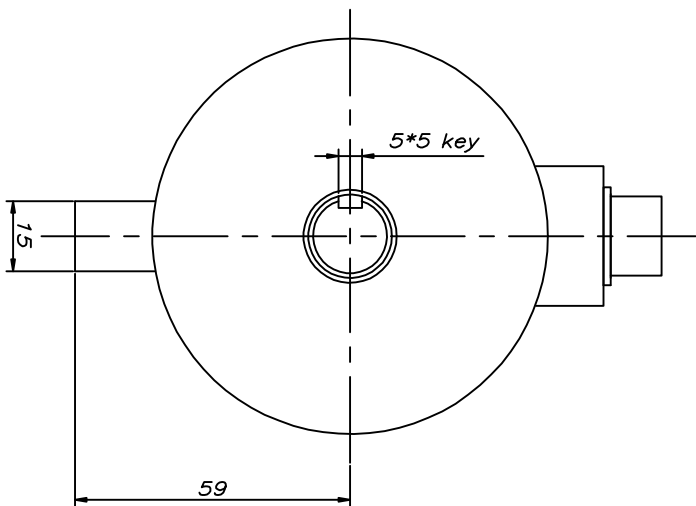
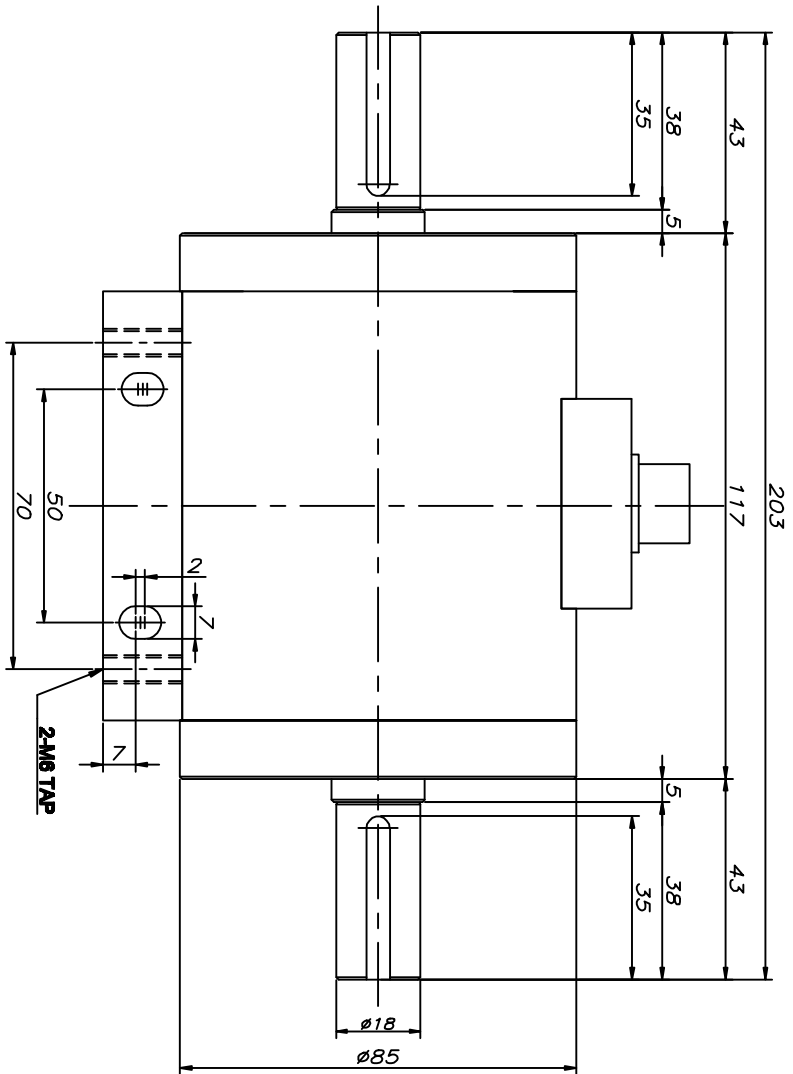


NO	DATE	ZONE	REVISION	COT	SIGN
Δ					



1	DESCRIPTION	MATERIAL	HEAT TREAT	QTY	DIMENSIONS	REMARK
NO	CHAMFER	SCALE	ANGLE	1st	DESCRIPTION	
	<input type="checkbox"/> C 0.1 <input type="checkbox"/> C 0.3	1 : 1		Qtd	TORQUE SENSOR	
	<input type="checkbox"/> C 0.5 <input type="checkbox"/> C 1	DRAWN BY	PLANNED BY	CHECKED BY	APPROVED BY	ORDER
	TOLERANCE LIMITS	JJS				ORDER DWG. NO
	<input type="checkbox"/> MM <input type="checkbox"/> INCH	2015.07.28				
	0. -0.1					DWG NO
	0.0 20.01	0.0 20.02				TR012-K5
	0.00 20.004	0.00 20.004				TR012-K5
	0.000 20.0002	0.000 20.0002				SHEET

