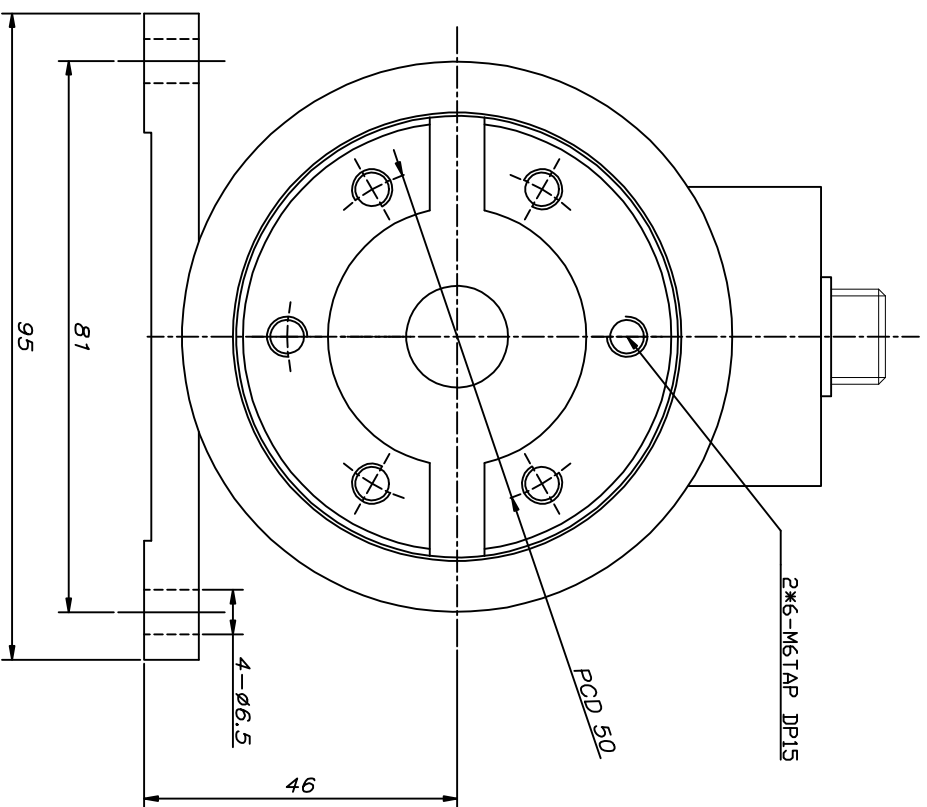
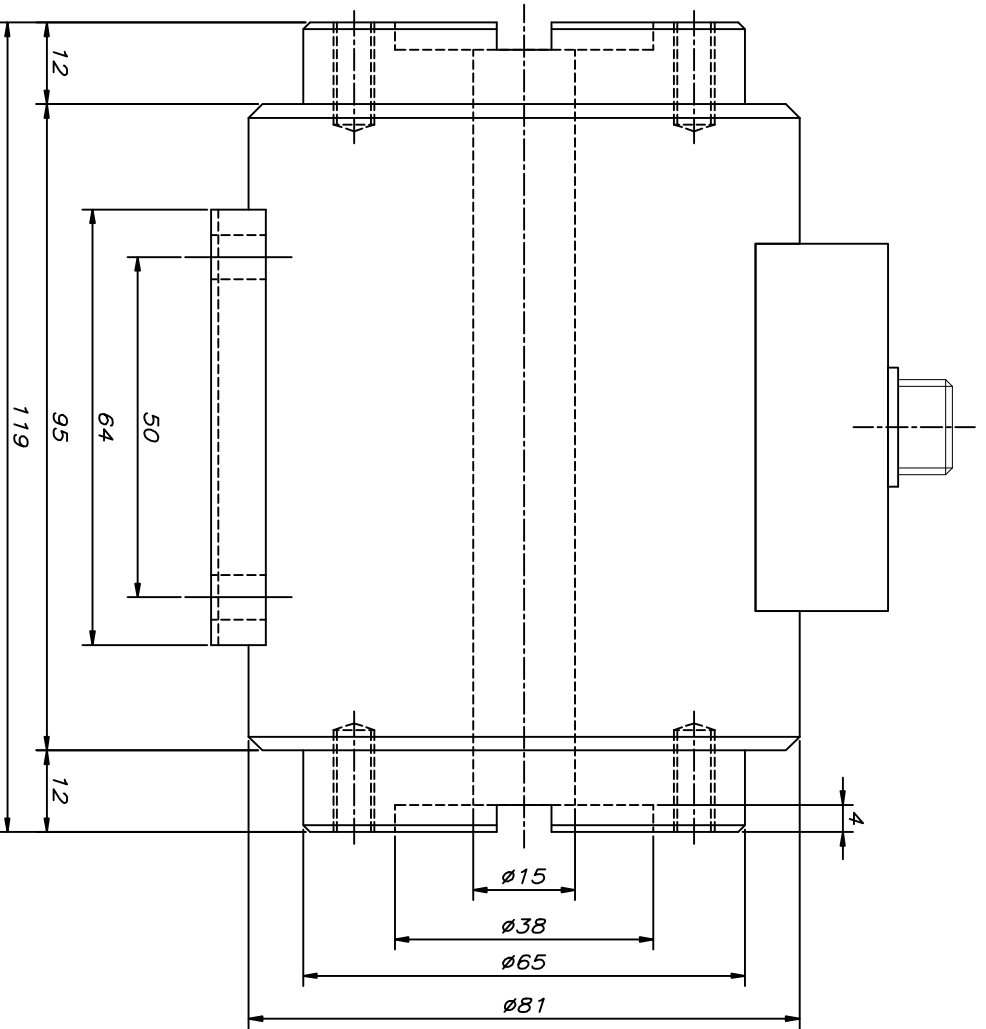


NO	DATE	ZONE	REVISION	COT	SIGN
Δ					



NO	DESCRIPTION	MATERIAL	HEAT TREAT	QTY	REMARK
1					

CHAMFER	SCALE	ANGLE	1st	2nd
<input type="checkbox"/> C 0.1	1 : 1			
<input type="checkbox"/> C 0.5				
<input type="checkbox"/> C 1				

TOLERANCE LIMITS	DRAWN BY	PLANNED BY	CHECKED BY	APPROVED BY
<input type="checkbox"/> MM	JIS			
<input type="checkbox"/> INCH				

DESCRIPTION	MODEL	ORDER
TORQUE SENSOR	TRE34-5K	
		ORDER DWG. NO

DATE	DWG NO	MODEL	ORDER
2017.07.06		TRE34-5K	
			ORDER DWG. NO

TEL	FAX	DWG NO	MODEL
045-298-2242	045-298-2245		TRE34-1A-5K

TEL	FAX	DWG NO	MODEL
045-298-2242	045-298-2245		TRE34-1A-5K

SHEET