

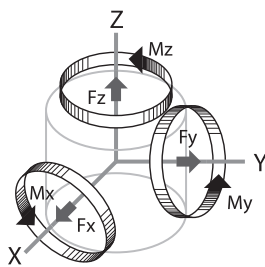
Multi Component Load Cell

>Model MC15

Various capacity of detecting up to components.

Minimize interaction between components.

- Oder made – size, capacity



2-Component loadcells

(Force : N, Moment : N-m)

MODEL	Rated Capacity						
	Fx	Fy	Fz	Mx	My	Mz	
MC15-2A	10	10	(30)	(2)	(2)	(2)	
	20	20	(50)	(5)	(5)	(5)	
	50	50	(100)	(10)	(10)	(10)	
	100	100	(200)	(20)	(20)	(20)	
	200	200	(500)	(50)	(50)	(50)	
500	500	(750)	(100)	(100)	(100)		
MC15-2B	10	10	(30)	(2)	(2)	(2)	
	20	20	(50)	(5)	(5)	(5)	
	50	50	(100)	(10)	(10)	(10)	
	100	100	(200)	(20)	(20)	(20)	
	200	200	(500)	(50)	(50)	(50)	
500	500	(750)	(100)	(100)	(100)		

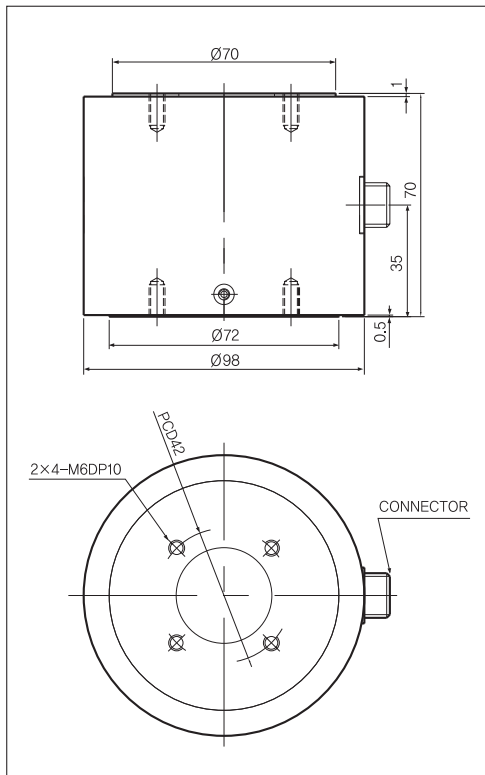
※ () Allowable force & Moment

3-Component loadcells

(Force : N, Moment : N-m)

MODEL	Rated Capacity						
	Fx	Fy	Fz	Mx	My	Mz	
MC15-3A	10	10	10	(2)	(2)	(2)	
	20	20	20	(5)	(5)	(5)	
	50	50	50	(10)	(10)	(10)	
	100	100	100	(20)	(20)	(20)	
	200	200	200	(50)	(50)	(50)	
500	500	500	(100)	(100)	(100)		
MC15-3B	10	10	10	(2)	(2)	1	
	20	20	20	(5)	(5)	2	
	50	50	50	(10)	(10)	5	
	100	100	100	(20)	(20)	10	
	200	200	200	(50)	(50)	20	
500	500	500	(100)	(100)	50		
MC15-3C	10	10	(30)	(2)	1	(2)	
	20	20	(50)	(5)	2	(5)	
	50	50	(100)	(10)	5	(10)	
	100	100	(200)	(20)	10	(20)	
	200	200	(500)	(50)	20	(50)	
500	500	(750)	(100)	50	(100)		

※ () Allowable force & Moment



- Dimensions can be modified by consumer's request.
- Dimensions are subject to change without notice.

>SPECIFICATIONS

Specifications	Accuracy
Rated output(R.O)	0.5mV/V±1%
Nonlinearity	0.5% of R.O.
Hysteresis	0.5% of R.O.
Repeatability	0.3% of R.O.
Excitation recommended	10V
Terminal resistance	Input :2Axis:350Ω±3.5Ω,3Axis :233Ω±3.5Ω, Output 700Ω±3.5Ω
Insulation resistance bridge	2000MΩ
Temperature effect, on rated output	±0.03% R.O./°C
Temperature effect, on zero balance	±0.03%/°C
Safe overload	120% R.C.
Cable length	Ø7, 8core shield cable, 3m 3% R.O.
Degree of interference	

★Specifications are subject to change without notice.