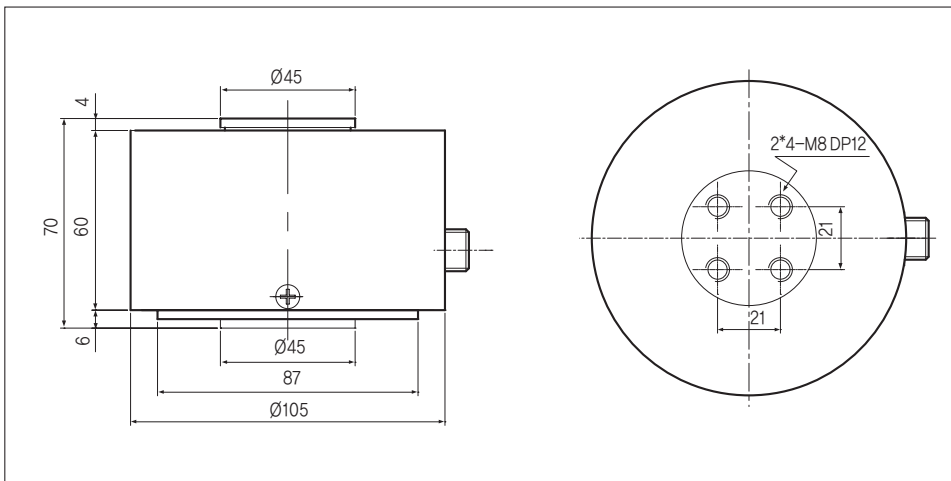
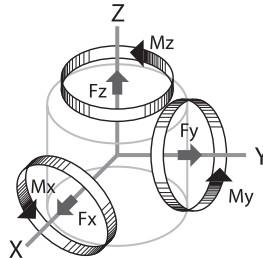


# Multi Component Load Cell (6 axis)

## >Model MC15

This is loadcell of simple construction for torque and axial force detection. Provided with a flange for easy installation. Most suitable for use in materials testing machines.

- Oder made – size, capacity



## >SPECIFICATIONS

Specifications	Accuracy
Rated output(R.O.)	0.5mV/V±1%
Nonlinearity	0.5% R.O.
Hysteresis	0.5% R.O.
Repeatability	0.3% R.O.
Excitation recommended	10V
Terminal resistance	Input resistance :117Ω±3.5Ω,Output resistance 700 Ohm±3.5
Insulation resistance bridge	2000MΩ
Temperature, effect on rated output	±0.03% R.O./°C
Temperature, effect on zero balance	±0.03%/°C
Safe overload	120% R.C.
Cable length	Ø7mm x 14C x 3m
Degree of interference	±3% R.O.

## >DIMENSIONS TABLE

Force : N, Moment : Nm

Model		Rated Capacity					
		Fx	Fy	Fz	Mx	My	Mz
MC15-6A-	20	20	20	20	2	2	2
	50	50	50	50	5	5	5
	100	100	100	100	10	10	10
	200	200	200	200	20	20	20
	500	500	500	500	50	50	50

★Specifications are subject to change without notice.