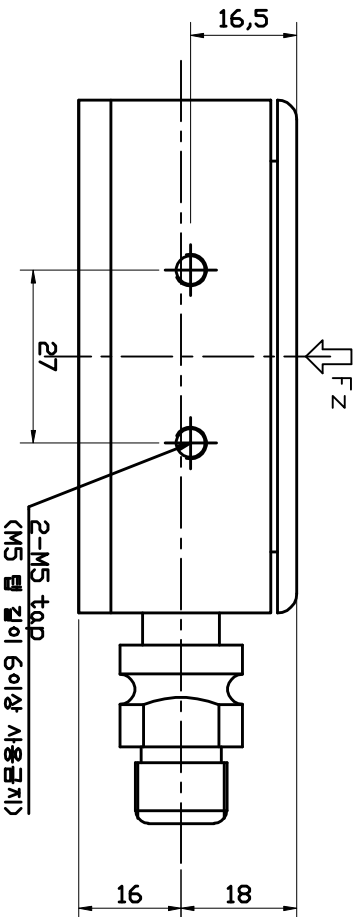
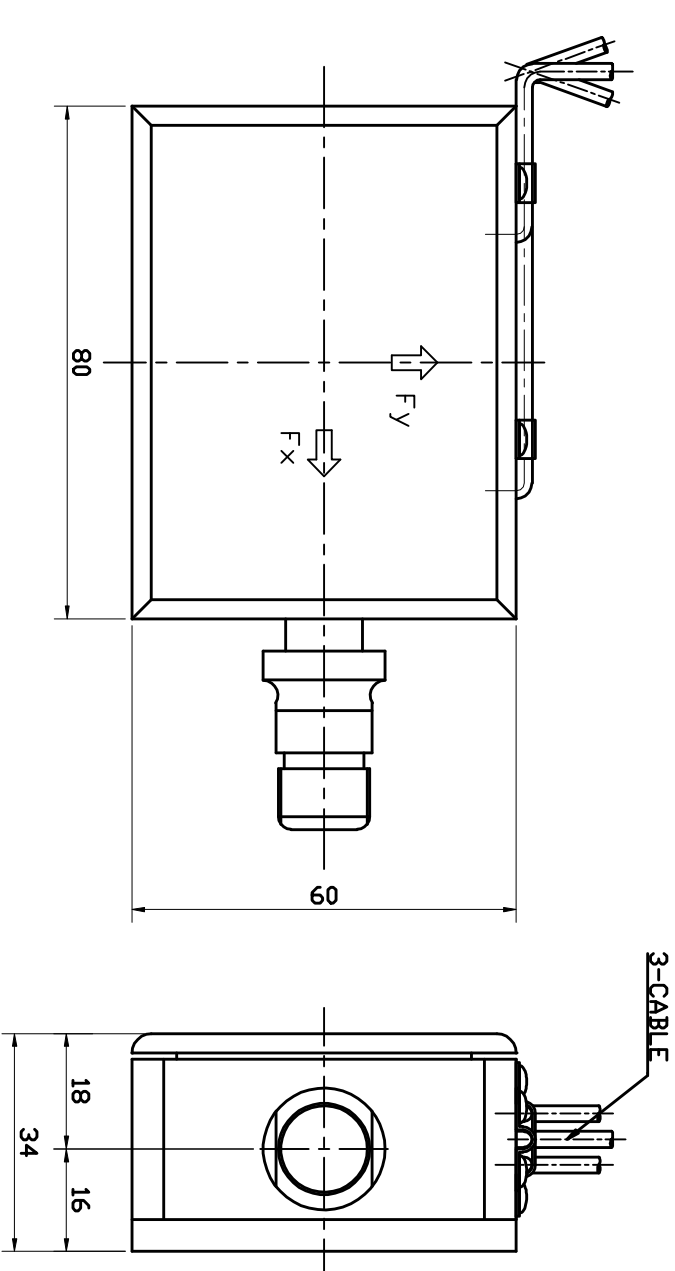


NO	DATE	ZONE	REVISION	COT	SIGN
△					



## SPECIFICATION

MODEL	MC86-3
RATED CAPACITY (R.C.)	FX: 1000N FY: 1000N Fz: 2000N
RATED OUTPUT (R.O.)	0.6~1mV/V
NON-LINEARITY	0.5% R.O.
HYSTERESIS	0.5% R.O.
REPEATABILITY	0.5% R.O.
ZERO BALANCE	±1% R.O.
RESISTANCE, INPUT	350 Ohm±3.5
RESISTANCE, OUTPUT	350 Ohm±5
TEMP. RANGE COMPENSATED	-10°C~40°C
SAFE TEMPERATURE RANGE	-20°C~70°C
MUTUAL INTERFERENCE	±4%R.O
INSULATION RESISTANCE	2000M
BRIDGE TO GROUND	2000M
ELECTRICAL CONNECTION	∅3mm x 4C x 3m
EXC. RECOMMENDED	10V
SAFE OVERLOAD	120% R.C.

NO	DESCRIPTION	MATERIAL	HEART TREAT	QTY	REMARK
	CHAMFER				
<input type="checkbox"/>	C 0.1	<input type="checkbox"/>	C 0.3		
<input type="checkbox"/>	C 0.5	<input type="checkbox"/>	C 1		
TOLERANCE LIMITS					
<input type="checkbox"/>	MM	<input type="checkbox"/>	INCH		
0.±0.1		0.0	±0.04		
0.00 ±0.05		0.00	±0.02		
0.00 ±0.01		0.000	±0.004		
0.000 ±0.002		0.0000	±0.0002		
SCALE	1 : 1	ANGLE	1st 3rd		
DRAWN BY	JJS	PLANNED BY	CHECKED BY	APPROVED BY	
DATE	2013.08.08				
DWG NO		MC86-3		ORDER	
MC86-1A-3		MULTI COMPONENT LOADCELL		ORDER DWG. NO	
					SHEET