

Force Gauge

>Model DN-FGA

The DN-FGA has its own characters, with facility, high resolution, which can be used for simple measurement of tension/compression force, switch test, connector insertion/withdraw test, fracture test and push pull testing equipment in a new generation.

EASY OPERATION

Buttons are well arranged for easy operation to perform multipurpose measurement.

PEAK HOLD FUNCTION

±NG,OK judgments with LED display(with open collector output)
connectable to computer through USB output cable (standard accessory)
Display reverse function.

UNIT CONVERSION

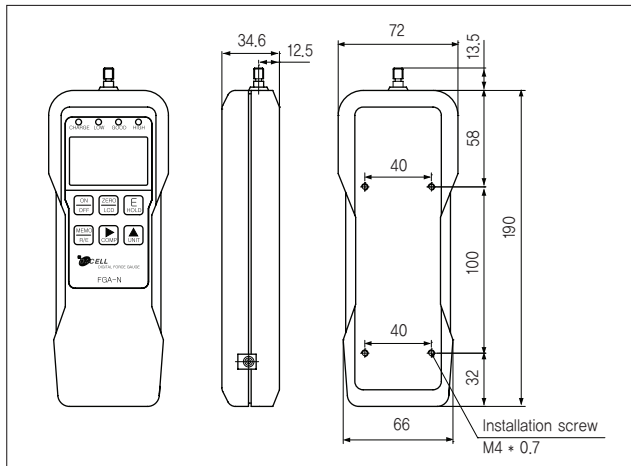
N, kgf, lbf, ozf

Ergonomic, heavy-duty metal construction

Full set of accessories, AC charger/adaptor and carrying case



>DIMENSIONS



>FGA-K500 ~ T1



>MANUAL TEST STAND



>SPECIFICATIONS

(UNIT : kg)

Model	FGA-K2	FGA-K5	FGA-K20	FGA-K50	FGA-K100	FGA-K500	FGA-T1
Capacity	2,000kg	5,000kg	20,00kg	50,00kg	100,0kg	500,0kg	1000,0kg
Min load	0,001kg	0,001kg	0,01kg	0,01kg	0,05kg	0,1kg	0,2kg
Sensor conformation	Sensor Inside				Sensor Outside		
Measuring accuracy	±0,2% FS						

★Specifications are subject to change without notice.