

DAEHAN SENSOR



Gear Type Level Transmitter
with Level Sensor

DGS – Series

Transmitter with analog output

Product Name

DGS – 100



ISO 9001 인증업체

Table of Contents

1. Introduction	3
2. Features	3
3. Specification	3
4. Installation	4
5. Calibration & Setting	4
6. Wiring Connection	5
7. Check Point Before A/S	6

SPECIFICATIONS

Media : Only Liquid

Wiring : 2-wire type (input/output)

Impedence : 450Ω
(When using DC 24V)

Input Voltage : DC 24V

Output Signal : DC 4~20mA

Temperature : A, M, B

Pressure : A, T, M

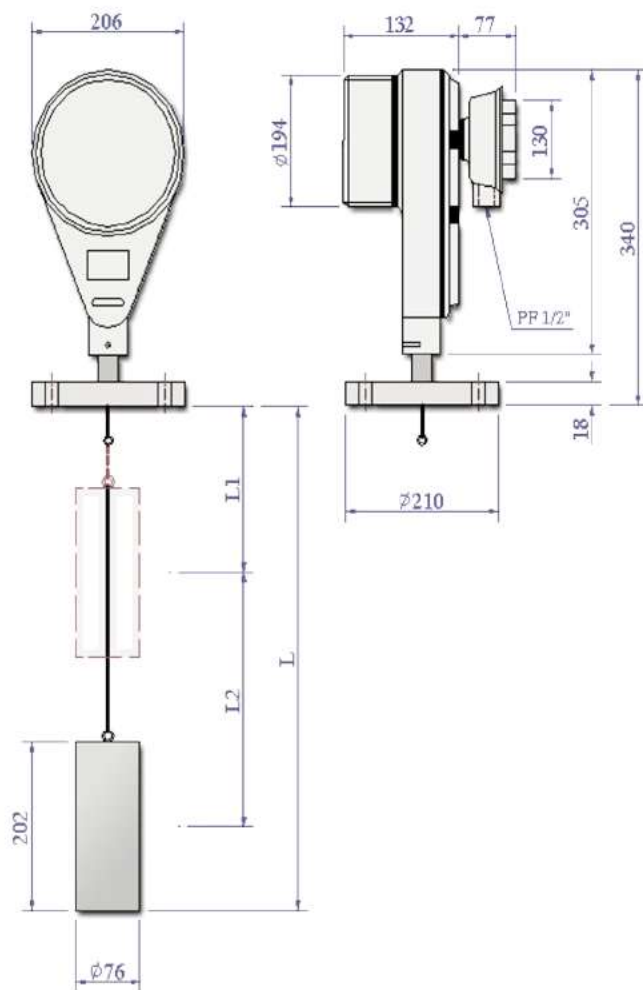
Material : Head Housing - Aluminum

Socket - SUS304
(Option - SUS316)

Flange - A, B, S or P, V, C

Float - SUS304
(Option - SUS316)

Wire - SUS316



Introduction

The buoyancy generated by the float operates the spring. And the gear connected to the spring moves to display the liquid level.

The way to transmit the electric current signal to the outside is sending a signal by installing a potentiometer converter.

Features

It is easy to be installed in the tank without ceiling space.

Both the site demanding and remote demanding are possible.

It is able to use in chemical, industrial waste water, food/beverage tank, fuel tank, and etc.

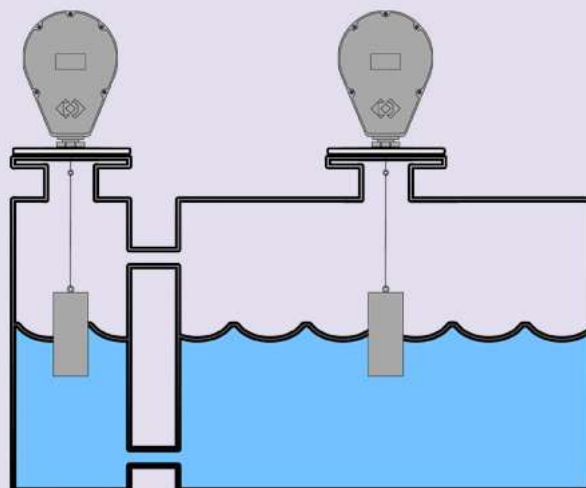
Installation

As shown in the picture, it is installed and using.

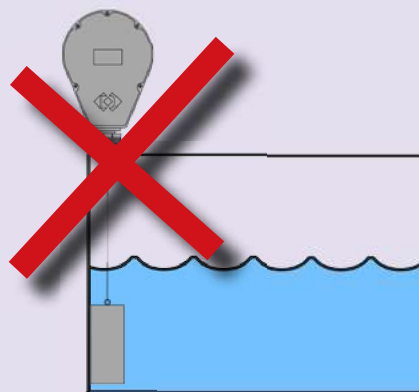
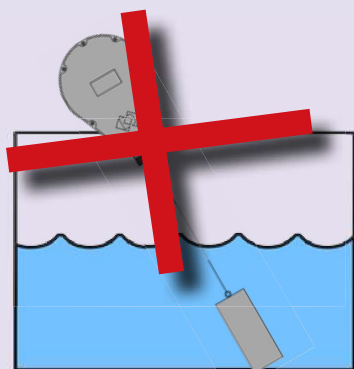
Check if the flanges specification match between Tank and product.

Insert a float and stem into the tank and make sure that it is installed vertically right.

Connect wiring between sensor contact terminals and controller.



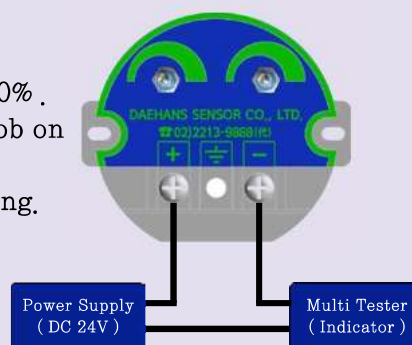
◎ Installation Caution ◎



As shown in the picture, when you install DGS Sensor, if the wire is bent or warped, it could be the cause of the malfunction of DGS sensor. Please note that when installing.

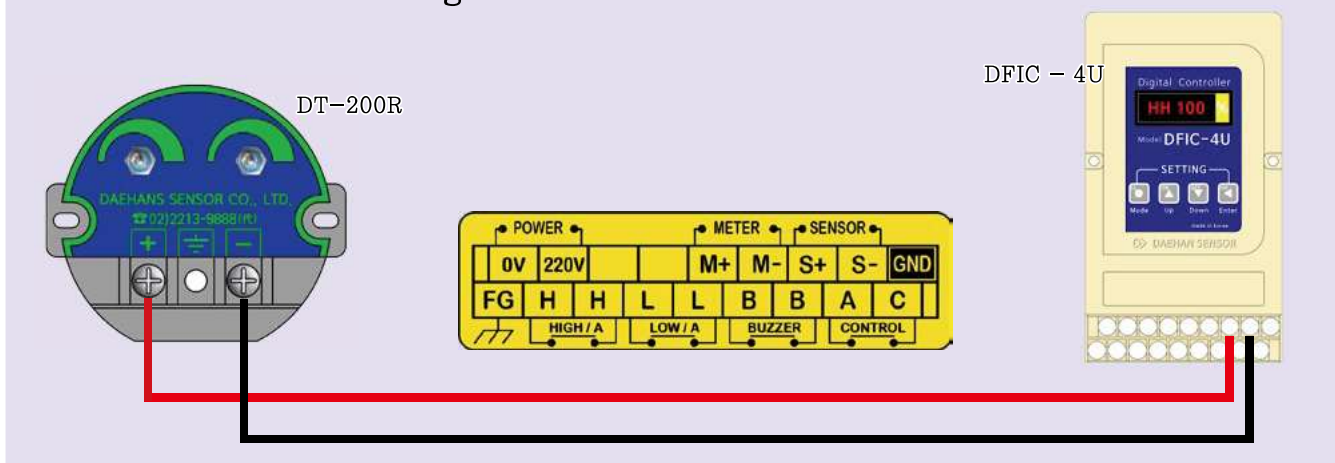
Calibration

1. When you provide DC 24V to the DT-200 and put the float to the bottom poing, the indicator connected with the sensor show 0% .
2. If the value is out of the range of 0%, turn the ZERO volume knob on the converter to set as 0 point exactly.
3. After finishing ZERO adjustment, put the float up to the top poing. Then, the indicator show 100% .
4. If the valus is out of the range of 100%, turn the SPAN volume knob on the converter to set as 100 point exactly.
5. Repeat step 1 ~ step 4 until if is exactly set, then install the sensor in the tank. When the entrance of the chamber is clogged with any stuff like sediment as shown in the picture, the level transmitter can not operate normally as well as the liquid level indicator. Be cautious not to get clogged in the chamber entrance,

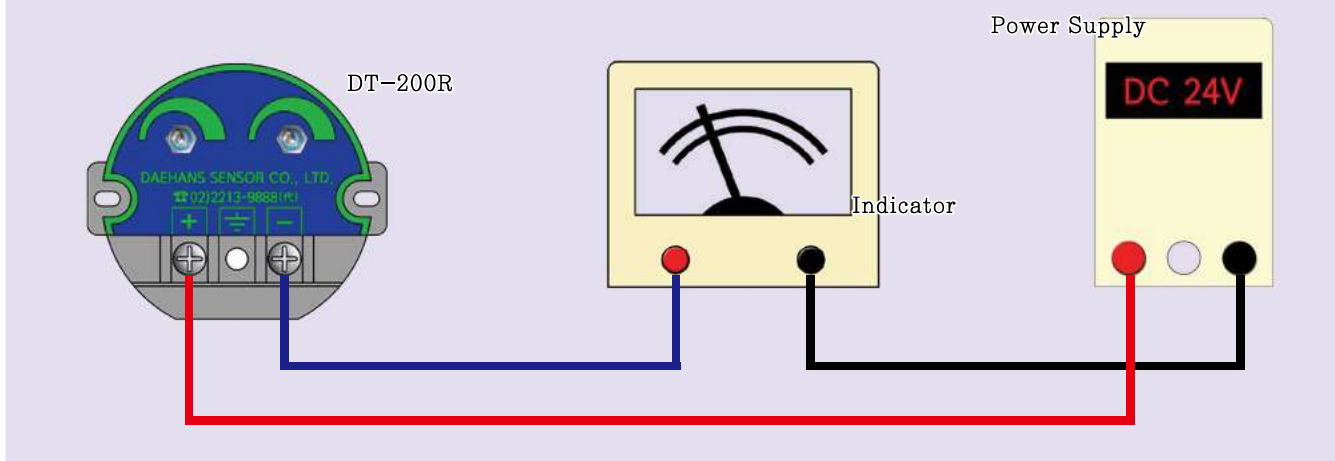


Wiring Connection

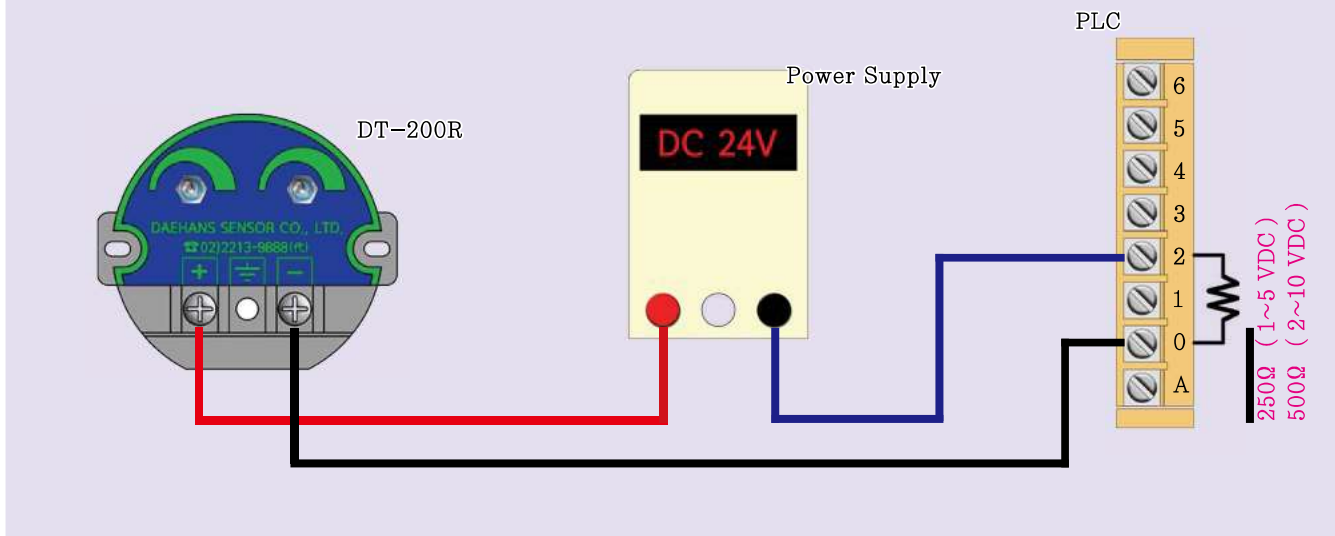
Wiring to a Daehansensor Controller



Wiring to a two-wire loop indicator



Wiring to a two-wire loop indicator



Check & A/S

The input voltage is normal?

: Check if the input of 24 VDC, is normally supplying.

The current output is normal?

: Check if the output, 4~20mA, is normally coming out.

The wiring is correct?

: Check the connect the wire short-circuit and / or poor contact.

Check the state of sensor, float and gear.

: Float should move up and down without touch any structure inside of the tank.

Wire should locate in the guide drum without getting tangled.

Spring should not cut.

Head Office

94-2, Yongdap-dong, Seongdong-gu, Seoul, Korea

R&D Office

2-71, Jeonong-dong, Dongdaemun-gu, Seoul, Korea

Tel : 02-2213-9888(代) Fax : 02-2245-3482

e.mail : master@dh34.com Domain : www.dh34.com