

# DAEHAN SENSOR



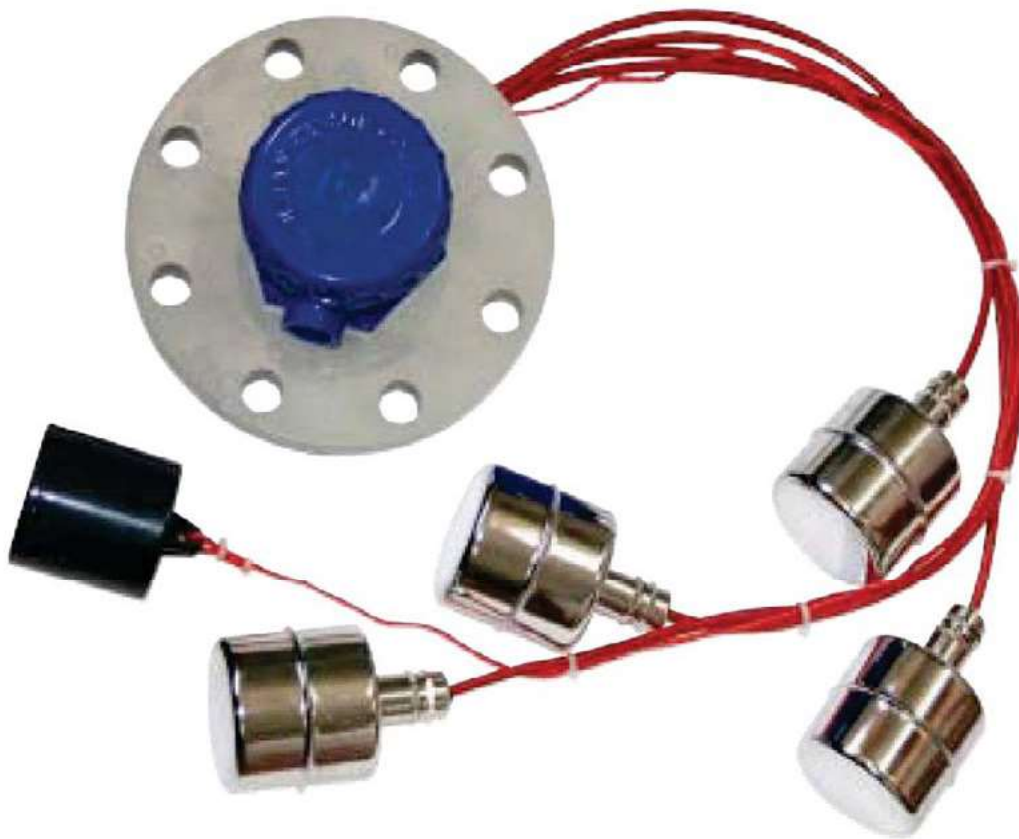
Quick Type Level Switches  
with level sensor

DQ – Series

Level Switch with contact output

Product Name

DQH – 4F



INNOBIZ



ISO 9001 인증업체

---

1993 DAEHAN SENSOR CO., LTD.  
All rights reserved

# Table of Contents

1. Introduction .....	3
2. Features .....	3
3. Specification .....	3
4. Installation .....	4
5. Calibration & Setting .....	4
6. Wiring Connection .....	5
7. Check Point Before A/S .....	6

## SPECIFICATIONS

Media : Only Liquid

Wiring : 2~5 wire type (input/output)

Range : Standard - 4000mm ( 157.48 inch)

Contact Rating : 5A 125VAC / 3A 250VAC

Output Signal : 4 Point (N/O, N/C)

Temperature : Max. 100°C

Pressure : A, T, M

Material : Head Housing - A, B, S

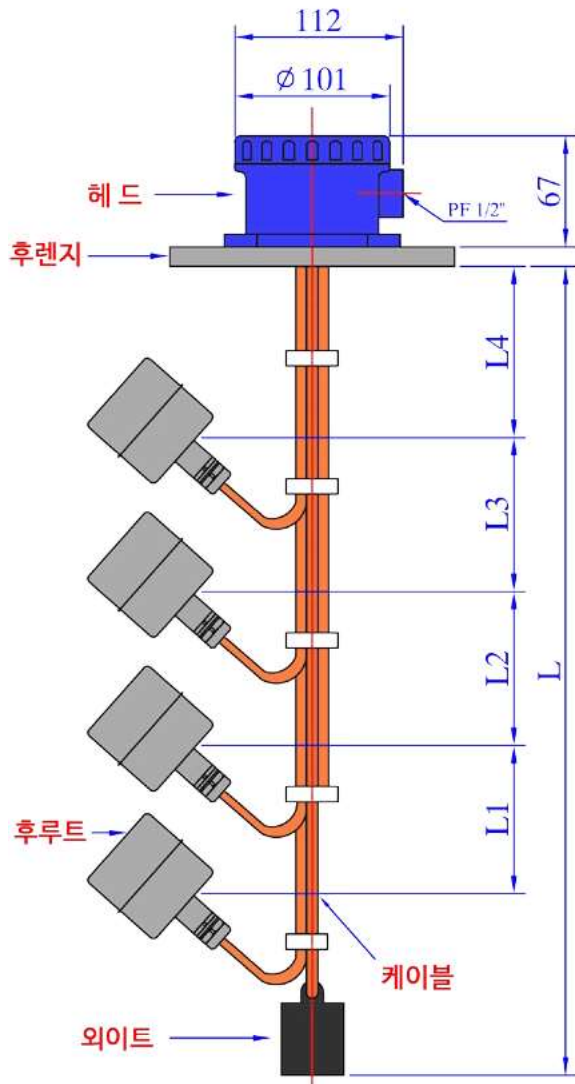
Cable - Silicone

Flange - A, B, S or P, V, C

Socket - A, B, S

Float - SUS304  
(SUS316 Option)

Weight - A, B, S



## Introduction

By installing the micro s/w inside the quick float, it is possible to operate it to the wanted location, operate the pump, or have the alarm sound by having the float to emerge due to buoyancy to become on (Point A) or off (Point B).

## Features

It is widely used for water tanks and tanks with high corrosiveness.

It is possible to be used in the liquid level of degree of fixation.

the installation is simple and is possible to adjust the on-off switch freely on site.

It is widely used in the sewage treatment plants and water tanks.

Since it is possible to have 2line type, the wiring work is simple and the construction cost can be saved.

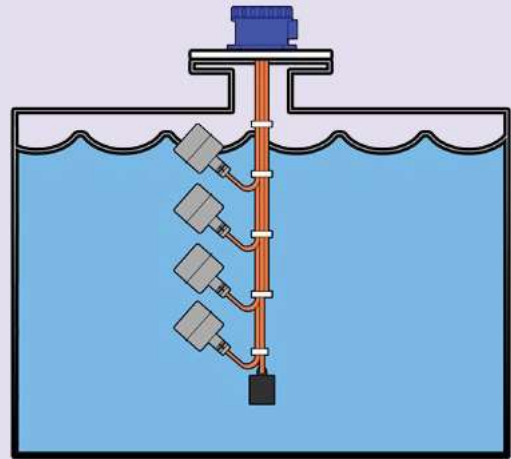
It is possible to consecutively control the motors as many as wanted.

## Installation

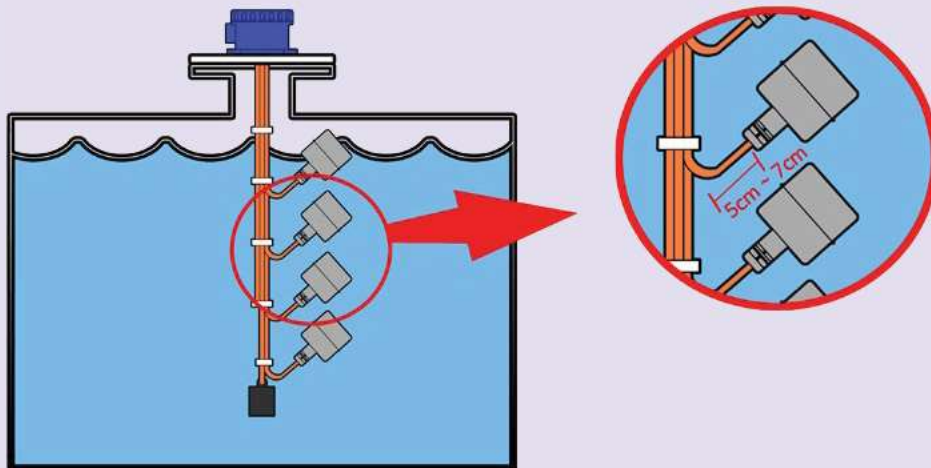
As shown in the picture, it is installed and using.

Check if the flanges specification match between tank and product.

Insert a float and weight into the tank and connect wiring between sensor COM terminal and controller.



### ◎ Installation Caution ◎



As shown in the picture, when you tie Quick float cable, be sure to connect with 5cm ~ 7cm margin length at minimum. If there is no margin length, Quick float can not rise up so that it may cause a malfunction. The Weight should be installed not to touch the bottom of the tank.

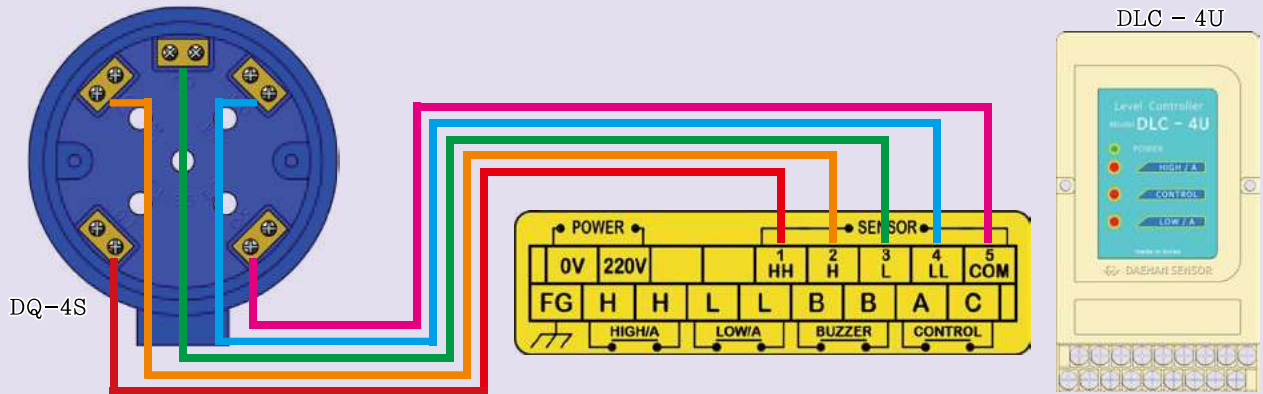
## Calibration

DQ Series' contact output position is determined by users' setting.

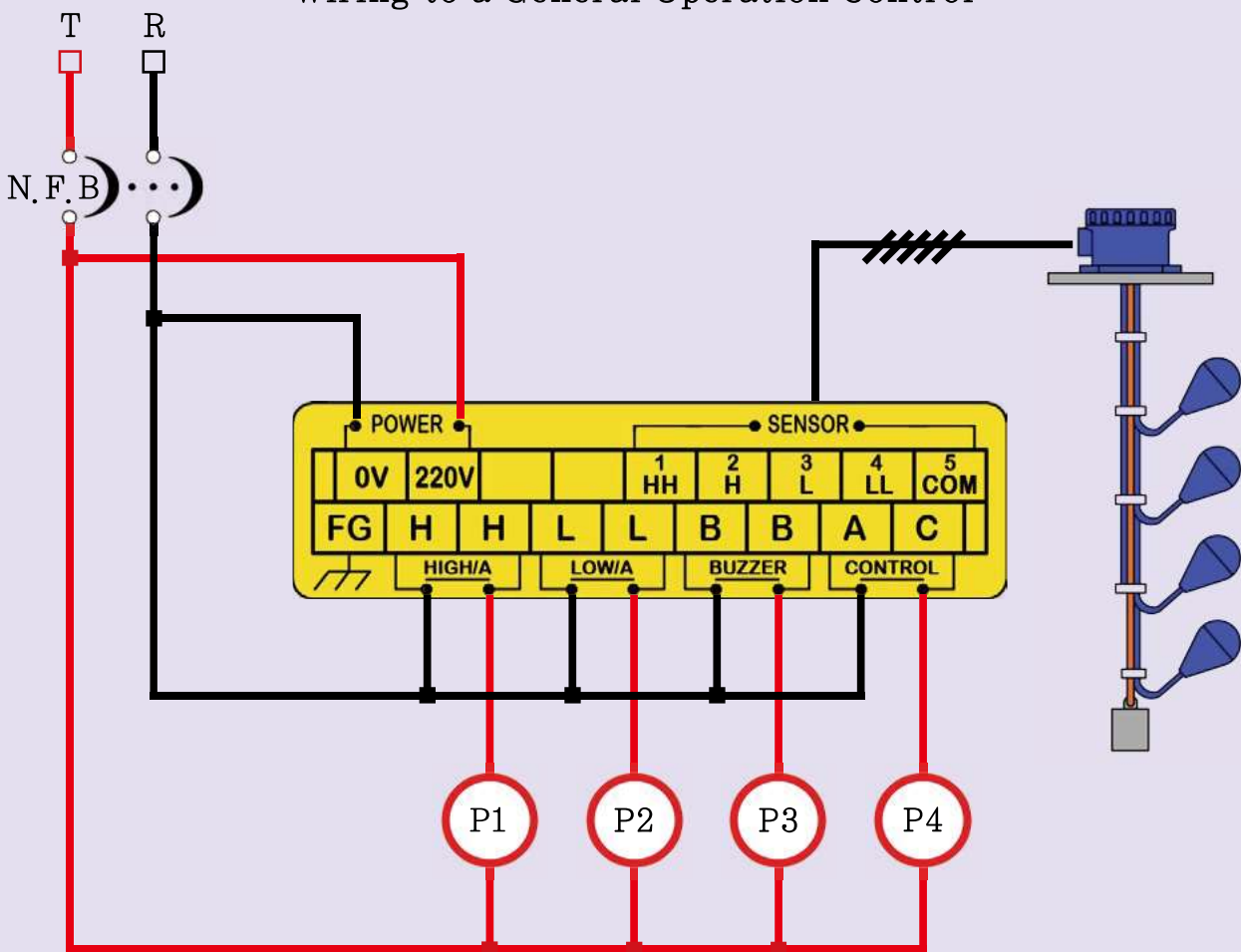
The position of contact output can be determined by cutting the length of Cables as desired.

### Wiring Connection

#### Wiring to a Daehansensor Controller



#### Wiring to a General Operation Control



## Check & A/S

Does resistance value of float come out?

: Check if resistance value of float come out when float mercury switch is off.  
( If resistance value comes out, float is out of order )

The wiring is correct?

: Check the connect the wire short-circuit and / or poor contact between  
controller and sensor.

Check if water or liquid exists inside of the sensor ( DQ )

Head Office

94-2, Yongdap-dong, Seongdong-gu, Seoul, Korea

R&D Office

2-71, Jeonong-dong, Dongdaemun-gu, Seoul, Korea

Tel : 02-2213-9888(代) Fax : 02-2245-3482

e.mail : master@dh34.com Domain : www.dh34.com