

DAEHAN SENSOR



Paddle Type Level Switches
with level sensor

DSP – Series

Level Switch with contact output

Product Name

DSP – 200



INNOBIZ



ISO 9001 인증업체

1993 DAEHAN SENSOR CO., LTD.
All rights reserved

Table of Contents

1. Introduction	3
2. Features	3
3. Specification	3
4. Installation	4
5. Calibration & Setting	4
6. Wiring Connection	5
7. Check Point Before A/S	6

SPECIFICATIONS

Media : Powder, Solid

Wiring : Input - 2 wire
Output - 3 wire (SPDT)

Input Voltage : AC 220V
(Option : AC 110V 60Hz)

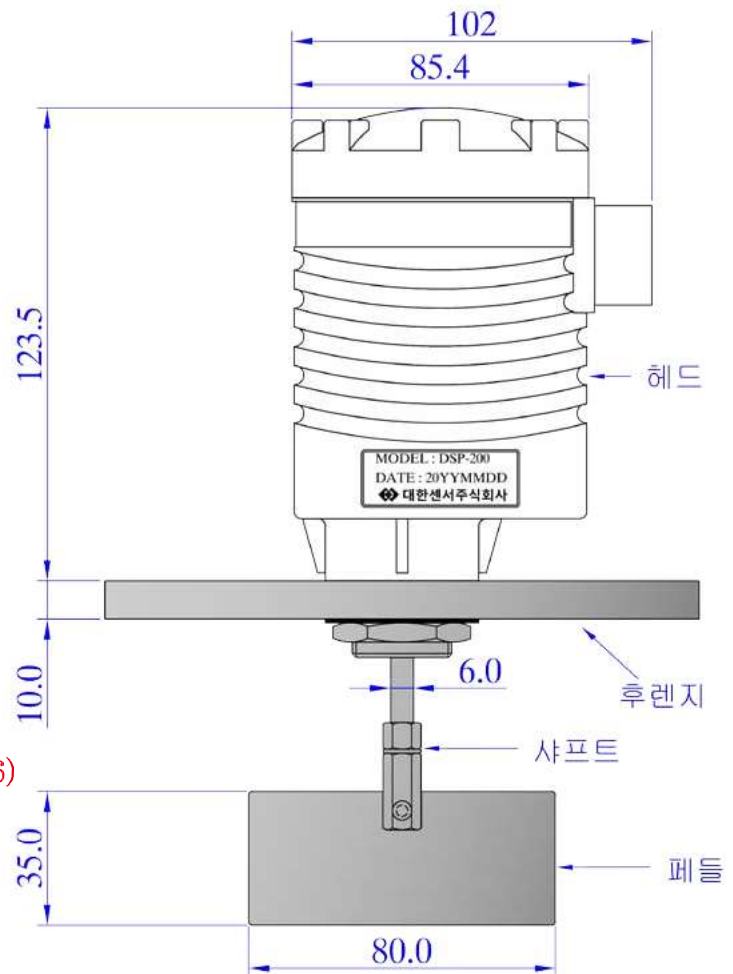
Contact Rat. : Max. AC220V, 5A

Output Signal : N/O, N/C

Temperature : A, M, B

Pressure : A, T, M

Material : Head Housing - A, B, S
Flange - Aluminum
(Option - SUS304 / SUS316)
Shaft - SUS304
Paddle - SUS304



Introduction

The level switch with rotary motion.

When the powder reaches to the pedal, it stops the rotation of the pedals. At this point, a contact signal from the micro switch inside sensor head sends output signal to allow level control as users want.

Features

It is simple and easy to install, wiring and operating without expert knowledge.

This level switch is good for mainly grider, mills, and grain mixer tank.

◎ Cautions ◎

Check the suitability between sensor specification and where to install.

Suggest to use a protection pipe when suspended solid exist in the tank.

Should not use for a liquid adhesive.

Be cautions not to bend sensor.

Do not impact on Sensor.

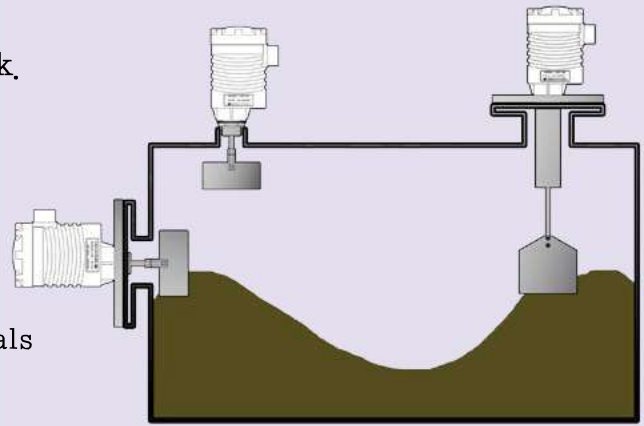
Installation

As shown in the picture, install on the tank.

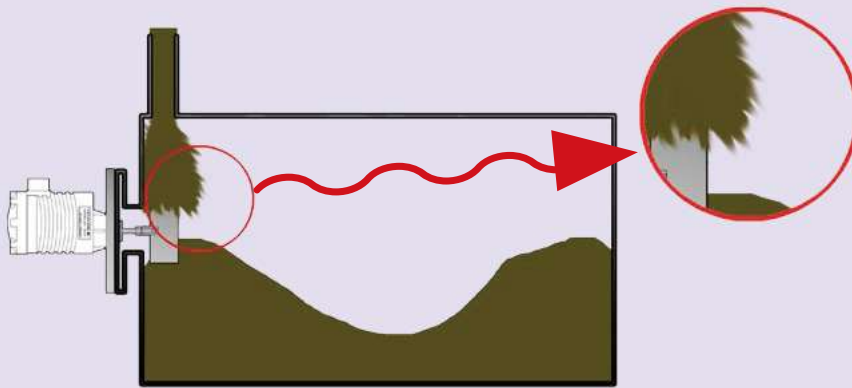
Check if Flange (Socket) of the tank is the standard product or not.

Assemble the paddle inside the tank.

Connect the controller to the contact terminals inside the sensor head.



© Installation Caution ©



When it prevents the smooth rotation of the pedals, sensors can be mistaken for a malfunction as detecting a large amount of powder.

Calibration

DF-Series sensor is custom-made sensor.

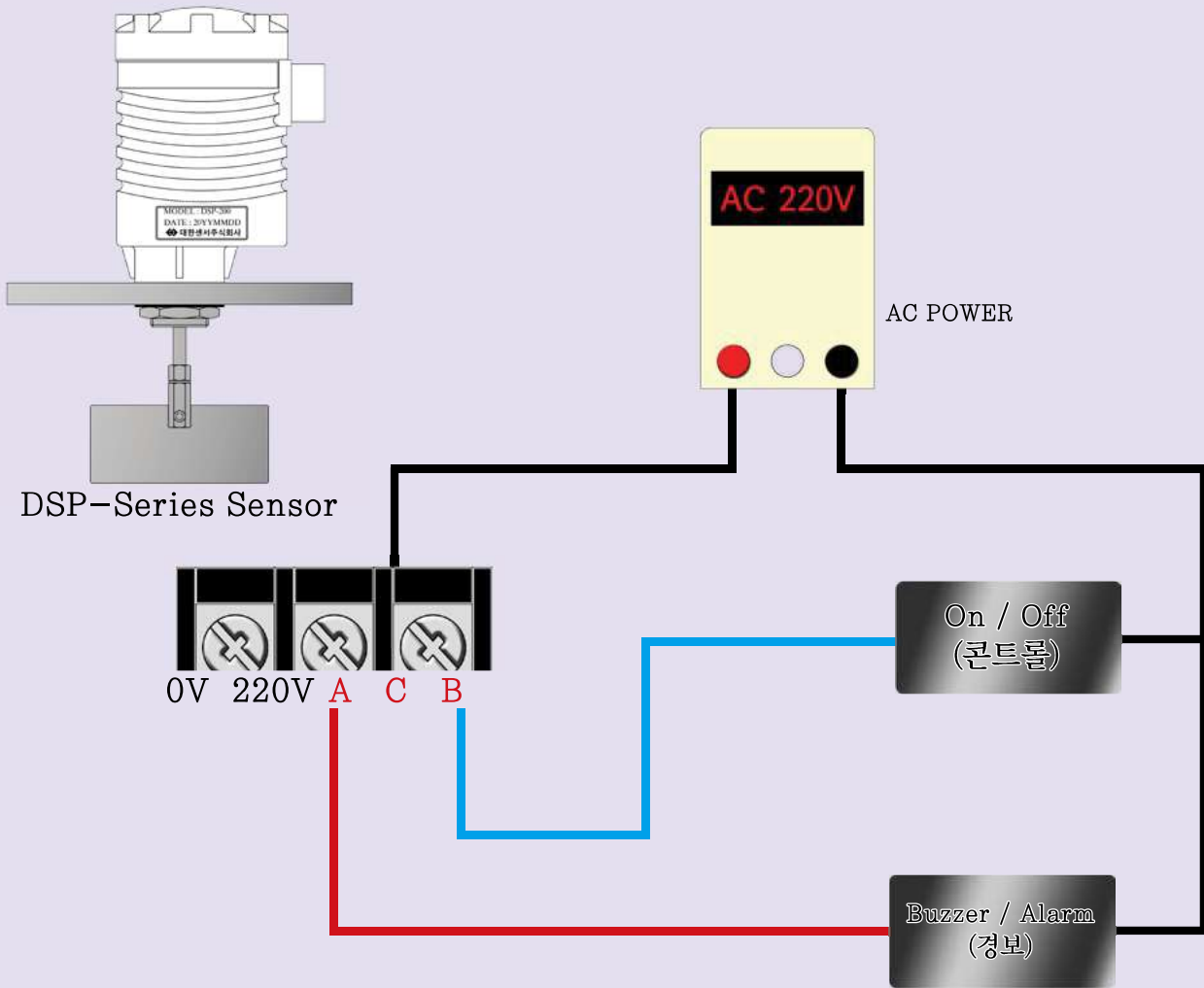
It is determined that contact output location and direction when it is manufactured.

If you need to change, please contact us.

There is no way for you to alter setting.

Wiring Connection

Wiring to a Sequential Control



Check & A/S

The input voltage is normal?

: Check if the input of AC 220V/110V, is normally supplying.

The wiring is correct?

: Check the connect the wire short-circuit and / or poor contact.

The state of sensor is normal?

: Check if water or liquid exists inside of the sensor.

Head Office

94-2, Yongdap-dong, Seongdong-gu, Seoul, Korea

R&D Office

2-71, Jeonong-dong, Dongdaemun-gu, Seoul, Korea

Tel : 02-2213-9888(代) Fax : 02-2245-3482

e.mail : master@dh34.com Domain : www.dh34.com