



PARSHALL FLUME FLOW METER

Model : **DHPF**

www.dhinst.co.kr

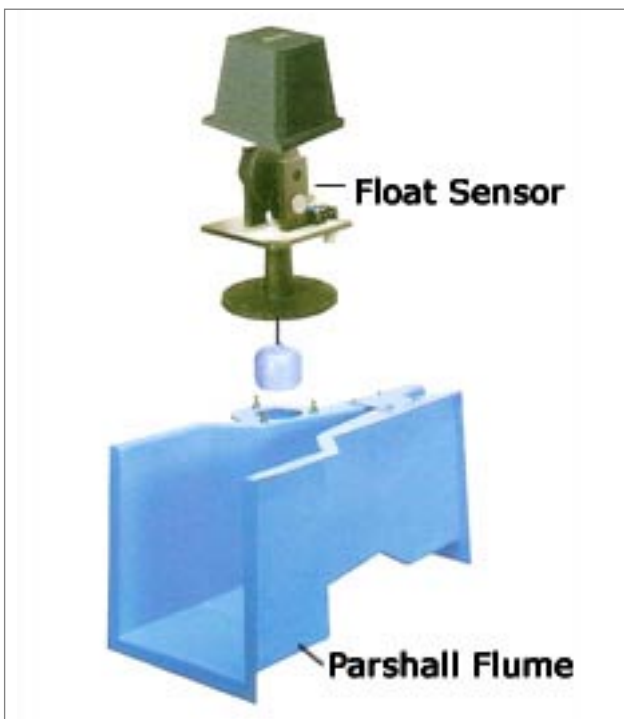
Model : **DHPF**

1. 개요

Parshall Flume Flow Meter는 용수 또는 폐수의 방류 수위를 검출기로 측정, 연산하여 유량으로 환산하고 지시, 적산하여 주변기기에 전송하는 계측기입니다

2. 종류

Float Type



Ultrasonic Type



3. 기능

- 순간 수위, 순간 유량, 적산유량, 적산시간을 실시간으로 표시
- 7Day Backup
- Output : 4-20mA DC. Pulse. RS232C
- Zero. Span Auto Setting

4. 특징

- Compact 한 구조
- 설치 장소가 광범위(검출부와 계측부의 거리가 2km 까지 가능) 설치가 용이
- 출력의 다양성

Model : **DHPF**

5. 사양

5-1. Flow Computing Totalizer

Range : 0~15,000 m³/hr
 Accuracy : ±0.5%(F.S)
 Function : Actual flow, Level, Flow total
 Time Display
 7 Days Backup
 Operation : 4 Keys(Mode, Set, Right, Left)
 Output : 4~20mA DC, Pulse, RS232C
 Display : LCD Display(32 Digit)
 Repeatability : ±0.1%(F.S)
 Resolution : 1m³ or 0.1 m³
 Ambient Temp' : -20~70°C
 Power Supply : AC110/220V 50 & 60Hz



5-2. Ultrasonic type Detector

Measuring method : Ultrasonic pulse type
 Measuring range : 1inch~6ft
 Accuracy : ± 1%(F.S)
 Ambient Temp' : -20~70°C
 Material : Body/SUS304, Case/Aluminium
 Installation flange : Upper 100A
 Protection : IP68



5-3. Float type Detector

Measuring method : Float gear type
 Measuring range : 1"~6"
 Accuracy : ± 1%(F.S)
 Ambient Temp' : -20~60°C
 Material : Body/NC Nylon, Case/ABS
 Installation flange : Upper 100A
 Protection : IP68



Model : **DHPF**

5. 사양

5-4. Parshall Flume

Size : 1~9 inch, 1~8 feet

Material : 304SS, 316(L)SS, FRP



5-5. Local Panel

Type : 옥외 방수 자립형 or 벽 취부형 이중 도어

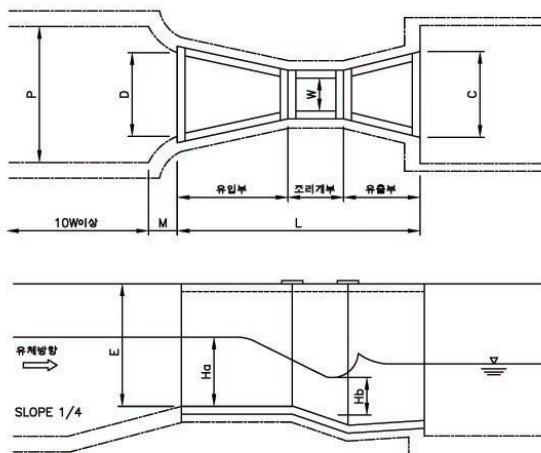
Material : Carbon Steel,

304SS

316(L)SS



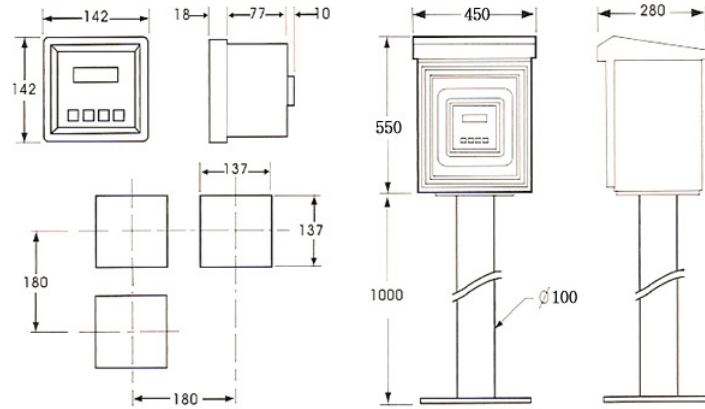
6. Parshall Flume Size



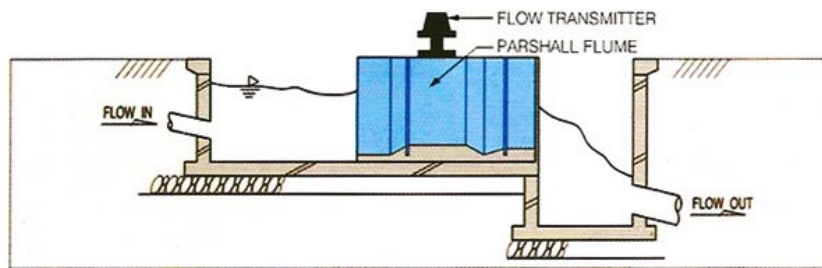
	W	유량범위	C	D	E	R	M	P	L	Q
	mm	m ³ /Hr	mm	mm	mm	mm	mm	mm	mm	Q=m ³ /Hr, Ha=m
1 in	25.4	1 ~ 30	93	167	316	300	200	600	635	217.31 Hd ^{1.58}
2 in	50.8	2 ~ 63	135	214	440	350	250	724	774	434.63 Hd ^{1.58}
3 in	76.2	3 ~ 194	178	259	610	406	305	768	914	653.52 Hd ^{1.547}
6 in	152.4	5 ~ 398	394	397	610	406	305	900	1525	1372.508Hd ^{1.58}
9 in	228.6	9 ~ 907	381	575	762	406	305	1080	1626	1927.494Hd ^{1.53}
1 ft	304.8	11 ~ 1641	610	845	914	508	381	1492	2867	2487.635Hd ^{1.527}
1.5 ft	457.2	15 ~ 2508	762	1026	914	508	381	1676	2943	3803.469Hd ^{1.581}
2 ft	609.4	43 ~ 3375	914	1207	914	508	381	1954	3019	5141.625Hd ^{1.5497}
3 ft	914.4	62 ~ 5138	1219	1572	914	508	381	2223	3169	7864.138Hd ^{1.5891}
4 ft	1219.2	133 ~ 6923	1524	1937	914	610	457	2711	3318	10633.846Hd ^{1.5779}
5 ft	1524.0	163 ~ 8723	1829	2302	914	610	457	3086	3467	13436.837Hd ^{1.567}
6 ft	1828.8	256 ~ 10550	2134	2667	914	610	457	3442	3616	16270.018Hd ^{1.5848}
7 ft	2133.6	306 ~ 12380	2438	3032	914	610	457	3810	3765	19126.673Hd ^{1.561}
8 ft	2438.4	357 ~ 14220	2743	3397	914	610	457	4172	3915	22002.05Hd ^{1.5668}

Model : **DHPF**

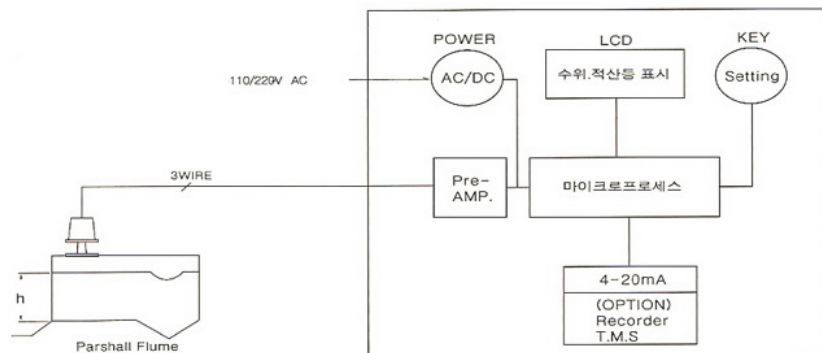
7. Local Panel & Cutting size



8. 현장 설치 예



9. Flow Meter System DWG





PARSHALL FLUME FLOW METER

Model : **DHPF**

MODEL	SUFFIX CODES	DESCRIPTION
DHPF□	U -----	Ultrasonic type
	F -----	Float type
Nominal Parshall Flume Size	1I -----	1 Inch
	2I -----	2 Inch
	3I -----	3 Inch
	6I -----	6 Inch
	9I -----	9 Inch
	1F -----	1 Feet
	1.5F -----	1.5 Feet
	3F -----	3 Feet
	4F -----	4 Feet
	5F -----	5 Feet
	6F -----	6 Feet
	7F -----	7 Feet
8F -----	8 Feet	
Parshall Flume Material	CS -----	Carbon Steel
	4S -----	304SS
	6S -----	316SS
	6L -----	316L SS
	FR -----	FRP
Panel Material	CS -----	Carbon Steel
	4S -----	304SS
	6S -----	316SS
	6L -----	316L SS
	FR -----	FRP
Output	A -----	4~20mA
	V -----	1~5V
	R -----	etc
Option		/□□□