



DAE HAN INSTRUMENT Products Guide



ISO 9001
ISO 14001

AVERAGE PITOT TUBE

ANNULAR VENTURI METER

ORIFICE

VENTURI TUBE

VENTURI NOZZLE

FLOW NOZZLE

WEDGE METER

GAS FLOW METER



CERTIFICATE OF AUTHORIZATION

The named company is authorized by the American Society of Mechanical Engineers (ASME) for the scope of activity shown below in accordance with the applicable rules of the ASME Boiler and Pressure Vessel Code. The use of the certification mark and the authority granted by this Certificate of Authorization are subject to the provisions of the agreement set forth in the application. Any construction stamped with this certification mark shall have been built strictly in accordance with the provisions of the ASME Boiler and Pressure Vessel Code.

COMPANY:

**Daehan Instrument Co., Ltd.
18-21, Muha-ro 36
Beon-gil, Hwaseong-si,
Gyeonggi-do 445-020
Republic of Korea**

SCOPE:

Fabrication and assembly of pressure piping at the above location and field sites controlled by the above location

AUTHORIZED: December 16, 2014

EXPIRES: December 16, 2017

CERTIFICATE NUMBER: 48,902

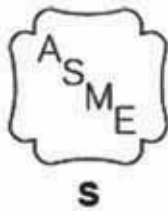
Handwritten signature of Bryan A. Elder in black ink.

Vice President, Conformity Assessment

Handwritten signature of David N. Wjda in black ink.

Director, Conformity Assessment





CERTIFICATE OF AUTHORIZATION

The named company is authorized by the American Society of Mechanical Engineers (ASME) for the scope of activity shown below in accordance with the applicable rules of the ASME Boiler and Pressure Vessel Code. The use of the certification mark and the authority granted by this Certificate of Authorization are subject to the provisions of the agreement set forth in the application. Any construction stamped with this certification mark shall have been built strictly in accordance with the provisions of the ASME Boiler and Pressure Vessel Code.

COMPANY:

**Daehan Instrument Co., Ltd.
18-21, Muha-ro 36
Beon-gil, Hwaseong-si,
Gyeonggi-do 445-020
Republic of Korea**

SCOPE:

Manufacture and assembly of power boilers at the above location and field sites controlled by the above location

AUTHORIZED: **December 16, 2014**

EXPIRES: **December 16, 2017**

CERTIFICATE NUMBER: **48,901**

Vice President, Conformity Assessment



Director, Conformity Assessment



CERTIFICATE OF AUTHORIZATION

The named company is authorized by the American Society of Mechanical Engineers (ASME) for the scope of activity shown below in accordance with the applicable rules of the ASME Boiler and Pressure Vessel Code. The use of the certification mark and the authority granted by this Certificate of Authorization are subject to the provisions of the agreement set forth in the application. Any construction stamped with this certification mark shall have been built strictly in accordance with the provisions of the ASME Boiler and Pressure Vessel Code.

COMPANY:

**Daehan Instrument Co., Ltd.
18-21, Muha-ro 36
Beon-gil, Hwaseong-si,
Gyeonggi-do 445-020
Republic of Korea**

SCOPE:

Manufacture of pressure vessels at the above location and field sites controlled by the above location (This authorization does not cover impregnated graphite)

AUTHORIZED: December 16, 2014

EXPIRES: December 16, 2017

CERTIFICATE NUMBER: 48,900

A handwritten signature in black ink, appearing to read 'Bryan A. Entler'.

Vice President, Conformity Assessment

A handwritten signature in black ink, appearing to read 'David N. Wjda'.

Director, Conformity Assessment





Nov. 1989
Established Dae Han Instrument

Aug. 1993
An advanced Company of Technology by MOCIE

Jul. 1995
Development of Cone Type Venturi Meter

Aug. 1995
Development of Annular of Flow Element

Sep. 2000
Acquired ISO9001 Certification

Aug. 2003
CPA Approved by China Government

Apr. 2005
Approved Flow Velocity Meter for TMS

Aug. 2005
Certificated as Clean Company by MOLAB

Dec. 2006
Management Innovation Company by SMBA

Feb. 2009
Acquired INNO-BIZ Development Certification

Apr. 2010
Explosion Proof Certificate of Approval KOSHA

May. 2012
American Bureau of Shipping (ABS) Certification

Aug. 2012
Acquired ISO14001 Certification

Oct. 2012
Established Sensor & Data Research Institute

2014
ASME STAMPs certified (Power Piping, Power Boilers, Pressure Vessels)
women Family -friendly company Certification
Company Certification as good working place by Gyeonggi-do
R & D Center Recertification by ministry of science KT and future planning
Parts and materials Enterprises Recertification





ISO 9001
ISO 14001

Contents

3

AVERAGE PITOT TUBE	•	•	4
ANNULAR VENTURI METER	•	•	5
ORIFICE	•	•	6
VENTURI TUBE	•	•	9
VENTURI NOZZLE	•	•	10
FLOW NOZZLE	•	•	11
WEDGE METER	•	•	12
GAS FLOW METER	•	•	13
PARSHALL FLUME	•	•	13
FLOW COMPUTER	•	•	14
FLOW CONDITIONER	•	•	14
CONDENSATE POT	•	•	14
STEADY FLOW METER	•	•	15
THERMOCOUPLE	•	•	16
SHEATH THERMOCOUPLE	•	•	16
RESISTANCE TEMPERATURE DETECTOR	•	•	16
SHEATH RESISTANCE TEMPERATURE DETECTOR	•	•	16
THERMO WELL	•	•	16
TEMPERATURE TRANSMITTER	•	•	17
EXTENSION & CONDENSATING CABLE	•	•	17
FLOW VELOCITY METER	•	•	18
PITOT TUBE & TEMP' ELEMENT OF CALIBRATED DENSITY	•	•	18
TEMPERATURE ELEMENT	•	•	18
SAMPLE GAS PROBE	•	•	18
INSTRUMENT RING & DRIP RING	•	•	19



AVERAGE PITOT TUBE

4

AVERAGE PITOT TUBE
301 TYPE



- Features : Easy to install
- Installation : 3B~16B Pipe & Duct
- Material : STS316, Inconel, Monel, Hastelloy
- Mounting Connection : Screw & Flange
- Measurement : Liquid & Gas not included sludge
(Fluid with high viscosity is unacceptable)
- Accuracy : $\pm 1.5\%$

AVERAGE PITOT TUBE
302 TYPE



- Features : Suitable for large caliber.
- Installation : 10B~120B Pipe & Duct
- Material : STS316, Inconel, Monel, Hastelloy
- Mounting : Screw & Flange
- Measurement : Liquid & Gas not included sludge
(Fluid with high viscosity is unacceptable)
- Accuracy : $\pm 1.5\%$

AVERAGE PITOT TUBE
303 TYPE



- Features : Shot-off fluid after remove element on maintenance
- Installation : 3B~16B Pipe & Duct
- Material : STS316, Inconel, Monel, Hastelloy
- Mounting Connection : Screw & Flange
- Measurement : Liquid & Gas not included sludge
(Fluid with high viscosity is unacceptable)
- Accuracy : $\pm 1.5\%$

AVERAGE PITOT TUBE
304 TYPE



- Features : Installation & maintenance can be done in operation
- Installation : 3B~16B Pipe & Duct
- Material : STS316, Inconel, Monel, Hastelloy
- Mounting Connection : Screw & Flange
- Measurement : Liquid & Gas not included sludge
(Fluid with high viscosity is unacceptable)
- Accuracy : $\pm 1.5\%$

ANNULAR VENTURI METER

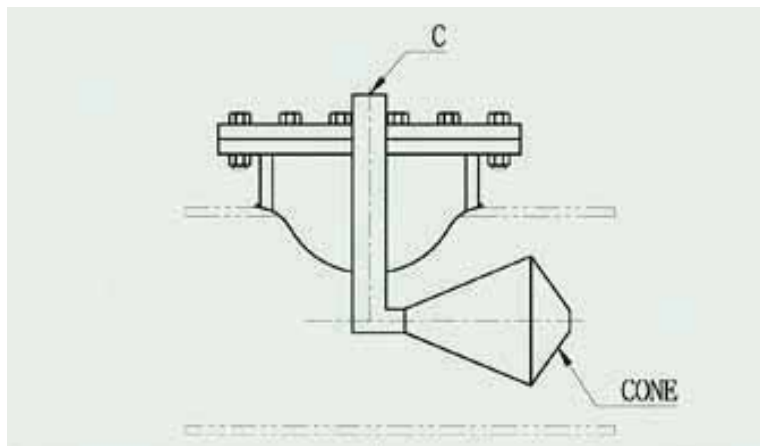
5

ANNULAR VENTURI METER DHAV-CC01

- Features : Unnecessary direct-connecting-pipe & low pressure loss
- Turndown Range : 10:1
- Material : Cone- STS304, STS316, Inconel, Monel, Hastelloy
Body-C.S, STS304, STS316, Inconel, Monel, Hastelloy
- Mounting : Flange 150#, 300#, 600#
- Installation : 1/2B-72B Pipe & Duct
- Accuracy : $\pm 0.5\%$ (Calibration)



ANNULAR VENTURI METER DHAV-CC02



- Features : Unnecessary direct-connecting-pipe & low pressure loss
- Turndown Range : 10:1
- Material : Cone- STS304, STS316, Inconel, Monel, Hastelloy
Body-C.S, STS304, STS316, Inconel, Monel, Hastelloy
- Mounting Connection : Pipe side
- Installation : 20B-72B Pipe & Duct
- Accuracy : $\pm 0.5\%$ (Calibration)

ORIFICE PLATE
DHOP



- Features : Low cost of installation & maintenance
- Turndown Range : 4:1
- Material : STS304, STS316, Inconel, Monel, Hastelloy, Teflon
- Mounting : Flange 150#, 300#, 600#, 900#
- Installation : 2B~92B(50A~2300A) Pipe & Duct
- Regulations : ISO5167-2
- Accuracy : $\pm 1.5\%$

ORIFICE PLATE & FLANGE
DHOF-W



- Features : Low cost of installation & maintenance
- Turndown Range : 4:1
- Material :
 - Plate : STS304, STS316, Inconel, Monel, Hastelloy, Teflon
 - Flange-C.S, STS304, STS316, Inconel, Monel, Hastelloy, A182 F11,F22,F51
- Mounting : Flange 300#, 600#, 900#
- Installation : 2B~24B(50A~600A) Pipe & Duct
- Regulations : ISO5167-2
- Accuracy : $\pm 1.5\%$

RING TYPE ORIFICE
DHOF-RING



- Features : Low cost of installation & maintenance,
Corner-tab type
- Turndown Range : 4:1
- Material :
 - Plate : STS304, STS316, Inconel, Monel, Hastelloy, Teflon
 - Ring-C.S, STS304, STS316, Inconel, Monel, Hastelloy, Teflon
- Mounting : Flange 150#, 300#
- Installation : 2B~36B(50A~900A) Pipe & Duct
- Regulations : ISO5167-2
- Accuracy : $\pm 1.5\%$

RESTRICTION ORIFICE
DHRO-SH



- Features : Decompression single hole plate
- Material : STS304, STS316, Inconel, Monel, Hastelloy, Teflon
- Mounting : Flange 150#, 300#, 600#, 900#, 1500#, 2500#
- Installation : 1/2B~36B(15A~900A) Pipe

RESTRICTION ORIFICE

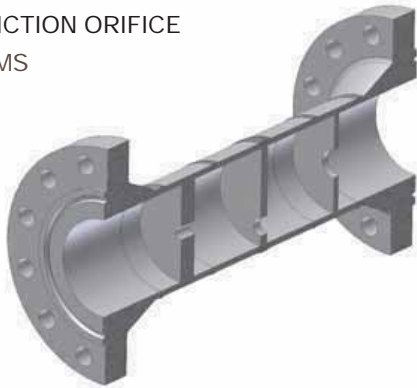
7

RESTRICTION ORIFICE
DHRO-MH



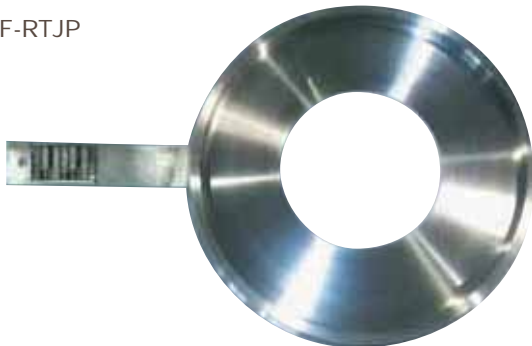
- Features : Decompression single hole plate
- Material : STS304, STS316, Inconel, Monel, Hastelloy, Teflon
- Mounting : Flange 150#, 300#, 600#, 900#, 1500#, 2500#
- Installation : 1/2B~36B(15A~900A) Pipe

RESTRICTION ORIFICE
DHRO-MS



- Features : Multi hole plate to solve lengthening recovery zone using decompression single hole plate
- Material : STS304, STS316, Inconel, Monel, Hastelloy
- Mounting : Flange 150#, 300#, 600#, 900#, 1500#, 2500#
- Installation : 1/2B~36B(15A~900A) Pipe

HIGH PRESSURE ORIFICE
DHOF-RTJP



- Features : For High pressure
- Turndown Range : 4:1
- Material : Plate : STS304, STS316, Inconel, Monel, Hastelloy
- Mounting : Flange 900#, 1500#, 2500#
- Installation : 2B~24B(50A~600A) Pipe
- Regulations : ISO5167-2
- Accuracy : $\pm 1.5\%$

HIGH PRESSURE ORIFICE
DHOF-RTJF



- Features : For High pressure
- Turndown Range : 4:1
- Material :
 - Plate : STS304, STS316, Inconel, Monel, Hastelloy
 - Flange-C.S, STS304, STS316, Inconel, Monel, Hastelloy, A182 F11,F22,F51
- Mounting : Flange 900#, 1500#, 2500#
- Installation : 2B~24B(50A~600A) Pipe
- Regulations : ISO5167-2
- Accuracy : $\pm 1.5\%$

INTEGRAL ORIFICE

8

HIGH ACCURACY ORIFICE
DHOF-H



- Features : High accuracy
- Turndown Range : 4:1
- Material :
 - Plate : STS304, STS316, Inconel, Monel, Hastelloy, Teflon
 - Flange-C.S, STS304, STS316, Inconel, Monel, Hastelloy, A182 F11,F22,F51
- Mounting : Flange 300#, 600#, 900#,1500#
- Installation : 2B~24B(50A~600A) Pipe & Duct
- Regulations : ISO5167-2
- Accuracy : In less than $\pm 0.3\%$ calibration

INTEGRAL ORIFICE
DHIO-FM



- Features : Transmitter, Meter Run All-in-one type
- Turndown Range : 4:1
- Material :
 - Plate : STS304, STS316, Inconel, Monel, Hastelloy
 - Flange&Meter Run-C.S, STS304, STS316, Inconel, Monel, Hastelloy, A182 F11,F22,F51
- Mounting : Flange 150#, 300#
- Installation : 1/2B~2-1/2B(15A~65A) Pipe
- Regulations : ISO5167-2
- Accuracy : $\pm 1.5\%$

INTEGRAL ORIFICE
DHIO-BN



- Features : Transmitter, Block All-in-one type
- Turndown Range : 4:1
- Material : STS304, STS316, Inconel, Monel, Hastelloy
- Mounting : Flange 150#, 300#, 600#, 900#, 1500#
- Installation : 1/2B~8B(15A~200A) Pipe
- Regulations : ISO5167-2
- Accuracy : $\pm 1.5\%$

INTEGRAL ORIFICE
DHIO-BY



- Features : Transmitter, Meter Run All-in-one type
- Turndown Range : 4:1
- Material :
 - Plate : STS304, STS316, Inconel, Monel, Hastelloy
 - Flange&Meter Run-C.S, STS304, STS316, Inconel, Monel, Hastelloy, A182 F11,F22,F51
- Mounting : Flange 150#, 300#, 600#, 900#, 1500#
- Installation : 1/2B~8B(15A~200A) Pipe
- Regulations : ISO5167-2
- Accuracy : $\pm 1.5\%$

VENTURI TUBE
DHOV-FF



- Features : Welding sheet plate type, Flange mounting type
- Turndown Range : 6:1
- Material : Carbon Steel, STS304, STS316, Inconel, Monel, Hastelloy
- Mounting : Flange 150#, 300#
- Installation : More 4B (More 100A) Pipe & Duct
- Regulations : ISO5167-4
- Accuracy : $\pm 2.0\%$

VENTURI TUBE
DHOV-FW



- Features : Welding sheet plate type Welding mounting type
- Turndown Range : 6:1
- Material : Carbon Steel, STS304, STS316, Inconel, Monel, Hastelloy
- Mounting : Flange 150#, 300#
- Installation : More 4B (More 100A) Pipe & Duct
- Regulations : ISO5167-4
- Accuracy : $\pm 2.0\%$

VENTURI TUBE
DHOV-MF



- Features : Machinery processing type, Flange mounting type
- Turndown Range : 6:1
- Material : Carbon Steel, STS304, STS316, Inconel, Monel, Hastelloy
- Mounting : Flange 150#, 300#, 600#, 900#, 1500#, 2500#
- Installation : 2B~14B(50A~300A) Pipe
- Regulations : ISO5167-4
- Accuracy : $\pm 1.0\%$

VENTURI TUBE
DHOV-MW



- Features : Machinery processing type, Welding mounting type
- Turndown Range : 6:1
- Material : Carbon Steel, STS304, STS316, Inconel, Monel, Hastelloy
- Mounting : Flange 150#, 300#, 600#, 900#, 1500#, 2500#
- Installation : 2B~14B(50A~300A) Pipe
- Regulations : ISO5167-4
- Accuracy : $\pm 1.0\%$

VENTURI TUBE
DHOV-RE



- Features : Welding steel plate type, Rectangle
- Turndown Range : 6:1
- Material : Carbon Steel, STS304, STS316, Inconel, Monel, Hastelloy
- Mounting : Duct
- Installation : More 6B (more 150A) Duct
- Regulations : ISO5167-4
- Accuracy : $\pm 2.0\%$

VENTURI NOZZLE

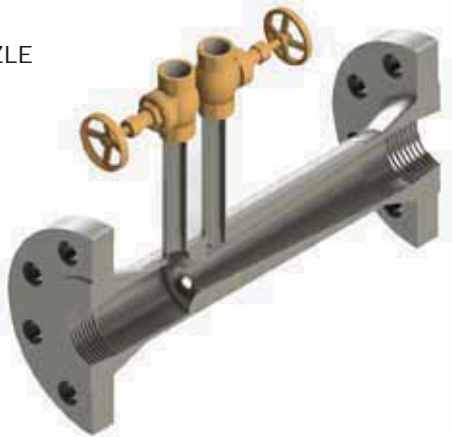
10

VENTURI NOZZLE
DHOV-N-TM



- Features : Male screw mounting type
- Turndown Range : 6:1
- Material : Carbon Steel, STS304, STS316, Inconel, Monel, Hastelloy
- Mounting : Screw 1/2B~2B(15A~50A)
- Installation : 1/2B~2B(15A~50A) Pipe
- Regulations : ISO5167-3
- Accuracy : $\pm 2.0\%$

VENTURI NOZZLE
DHOV-N-TF



- Features : Female screw mounting type
- Turndown Range : 6:1
- Material : Carbon Steel, STS304, STS316, Inconel, Monel, Hastelloy
- Mounting : Screw 1/2B~2B(15A~50A)
- Installation : 1/2B~2B(15A~50A) Pipe
- Regulations : ISO5167-3
- Accuracy : $\pm 2.0\%$

VENTURI NOZZLE
DHOV-N-BW



- Features : Butt welding mounting type
- Turndown Range : 6:1
- Material : Carbon Steel, STS304, STS316, Inconel, Monel, Hastelloy
- Mounting : Butt Weld
- Installation : 2B~120B(50A~3000A) Pipe
- Regulations : ISO5167-3
- Accuracy : $\pm 2.0\%$

VENTURI NOZZLE
DHOV-N-FL



- Features : Flange mounting type
- Turndown Range : 6:1
- Material : Carbon Steel, STS304, STS316, Inconel, Monel, Hastelloy
- Mounting : Flange 150#, 300#, 600#, 900#, 1500#, 2500#
- Installation : 2B~120B(50A~3000A) Pipe
- Regulations : ISO5167-3
- Accuracy : $\pm 2.0\%$

FLOW NOZZLE
DHON-BW



- Features : Butt welding mounting type
- Turndown Range : 6:1
- Material : Carbon Steel, STS304, STS316, Inconel, Monel, Hastelloy
- Mounting : Butt Weld
- Installation : 2B~24B(50A~600A) Pipe
- Regulations : ISO5167-3
- Accuracy : $\pm 2.0\%$

FLOW NOZZLE
DHON-HR



- Features : Holding ring mounting type
- Turndown Range : 6:1
- Material : Carbon Steel, STS304, STS316, Inconel, Monel, Hastelloy
- Mounting : Butt Weld
- Installation : 2B~24B(50A~600A) Pipe
- Regulations : ISO5167-3
- Accuracy : $\pm 2.0\%$

FLOW NOZZLE
DHON-FL



- Features : Flange mounting type
- Turndown Range : 6:1
- Material : Carbon Steel, STS304, STS316, Inconel, Monel, Hastelloy
- Mounting : Flange 150#, 300#, 600#, 900#, 1500#, 2500#
- Installation : 2B~24B(50A~600A) Pipe
- Regulations : ISO5167-3
- Accuracy : $\pm 2.0\%$

WEDGE METER
DHWM-F



- Features : Suitable for high viscosity & included sludge liquid
- Remote Seal Type D/P Transmitter
- Turndown Range : 6:1
- Material : Carbon Steel, STS304, STS316, Inconel, Monel, Hastelloy, Tungsten carbide coating
- Mounting : Flange 150#, 300#, 600#, 900#, 1500#
- Installation : 2B~24B(50A~600A) Pipe
- Regulations : DHQ1023
- Accuracy : $\pm 2.0\%$ Calibration $\pm 0.5\%$

WEDGE METER
DHWM-T



- Features : Suitable for high viscosity & included sludge liquid
- Remote Seal chemical Tee Type D/P Transmitter
- Turndown Range : 6:1
- Material : Carbon Steel, STS304, STS316, Inconel, Monel, Hastelloy, Tungsten carbide coating
- Mounting : Flange 150#, 300#, 600#, 900#, 1500#
- Installation : 2B~24B(50A~600A) Pipe
- Regulations : DHQ1023
- Accuracy : $\pm 2.0\%$ Calibration $\pm 0.5\%$

GAS FLOW METER & SWITCH

13

GAS FLOW METER & SWITCH

DPDT



- Features : For Gas not included sludge and incorrodible
- Turndown Range : 6:1
- Material : STS304, STS316
- Mounting : Flange 150#, 300#
- Installation : 3/8B-24B(10A-600A) Pipe
- Display : LCD
- Power : DC24V
- Output : 4-20mA or 1-5V DC, Contact
- Accuracy : $\pm 1.5\%$

GAS FLOW METER & SWITCH

DPLT



- Features : For Gas not included sludge and incorrodible,
- Turndown Range : 6:1
- Material : STS304, STS316
- Mounting : Flange 150#, 300#
- Installation : 3/8B-24B(10A-600A) Pipe
- Display : LCD
- Power : DC24V
- Output : 4-20mA or 1-5V DC, Contact
- Accuracy : $\pm 1.5\%$

GAS FLOW METER & SWITCH

DSDT



- Features : For Gas not included sludge and incorrodible,
Explosion proof type
- Turndown Range : 6:1
- Material : STS304, STS316
- Mounting : Flange 150#, 300#
- Installation : 3/8B-24B(10A-600A) Pipe
- Display : LED
- Power : AC100-220V 50/60Hz
- Output : 4-20mA or 1-5V DC, Contact
- Accuracy : $\pm 1.5\%$

GAS FLOW METER & SWITCH

DSLTL



- Features : For Gas not included sludge and incorrodible,
Explosion proof type
- Turndown Range : 6:1
- Material : STS304, STS316
- Mounting : Flange 150#, 300#
- Installation : 3/8B-24B(10A-600A) Pipe
- Display : LED
- Power : AC100-220V 50/60Hz

PARSHALL FLUME FLOW METER

DHPF-U



- HE101FI-FTU-100 chdmavk same with purse-type open channel flowmeter

FLOW COMPUTER SKE-3300



- Features : A computer Providing DC 24V in 2wire type with Steam, gas flowmeter, and Displaying, adding up, and printing signal of output(digital, analog, pulse), temperature, atmospheric pressure in digital form.
- Mount : Panel
- Power : AC110~220V 50/60Hz
- Output : 4~20mA, RS485, Pulse

FLOW CONDITIONER DH19-TB



- Features : 19 tubes are arranged in pipe in parallel for stability of fluid-flow.
- Material : STS304, STS316, Inconel, Monel, Hastelloy
- Mounting : Flange 150#, 300#, 600#, 900#, 1500#, 2500#
- Regulations : ISI 5167-1



CONDENSATE POT DHCP



- Features : Protect the gauge from steam.
- Material : C.S, STS304, STS316, Inconel, Monel, Hastelloy, A182 F11, F22, F51
- Size : 2B, 2-1/2B, 3B, 4B
- Mounting : 1/2SW, 1/2 PT or NPT, 3/4SW, 3/4 PT or NPT



STEADY FLOW METER

15

STEADY FLOW METER
SFM300



- Features : Shank due to turbulent flow on measuring,
Built-in type for measuring error-prevention.
- Turndown Range : 6:1
- Material : Carbon Steel, STS304, STS316, Inconel, Monel,
Hastelloy
- Mounting : Flange 150#, 300#, Ducts
- Installation : More 4B (more 100A) Pipe & Duct
- Accuracy : $\pm 2.0\%$

STEADY FLOW METER
SFM305



- Features : In large duct or pipe case, Insertion type product
containing a commutator and flow element for
Saving cost and stable measuring
 - Turndown Range : 6:1
 - Material : Carbon Steel, STS304, STS316, Inconel, Monel,
Hastelloy
 - Mounting : Insertion Flange 150#, 300#, Ducts
 - Installation : More 20B (more 500A) Pipe & Duct
 - Accuracy : $\pm 2.0\%$
-

THERMOCOUPLE DTC



- Features : Thermocouple shaped sheath pipe
- Mounting : Screw & Flange
- Range : K=0~1200℃
R=600~1600℃
Etc=J, T, E, N, B, S
- Sheath Material : STS304, STS316, STS310, STS446,
Inconel600, Hastelloy
- Regulations : ASTM E230

SHEATH THERMOCOUPLE DST



- Features : Thermocouple shaped MI Cable
- Mounting : Screw & Flange
- Range : K=0~1200℃
R=600~1600℃
Etc=J, T, E, N, B, S
- Sheath Material : STS316, STS310, STS446, Inconel600,
Hastelloy
- Regulations : ASTM E230

RESISTANCE TEMPERATURE DETECTOR DRB



- Features : Sensing resistor shaped sheath pipe
- Mounting : Screw & Flange
- Range : -200~600℃
- Element : PT100, PT1000 ohm
- Sheath Material : STS304, STS316, STS310, STS446,
Inconel600, Hastelloy
- Regulations : DIN 43760, IEC 751 : 1983

SHEATH RESISTANCE TEMPERATURE DETECTOR DSR

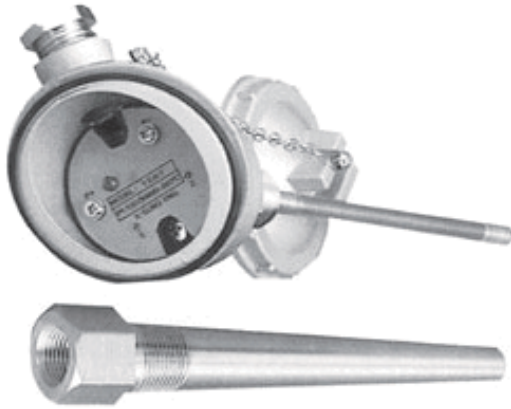


- Features : Sensing resistor shaped MI Cable
- Mounting : Screw & Flange
- Range : -200~600℃
- Element : PT100, PT1000 ohm
- Sheath Material : STS304, STS316, STS310, STS446,
Inconel600, Hastelloy
- Regulations : DIN 43760, IEC 751 : 1983

TEMPERATURE TRANSMITTER

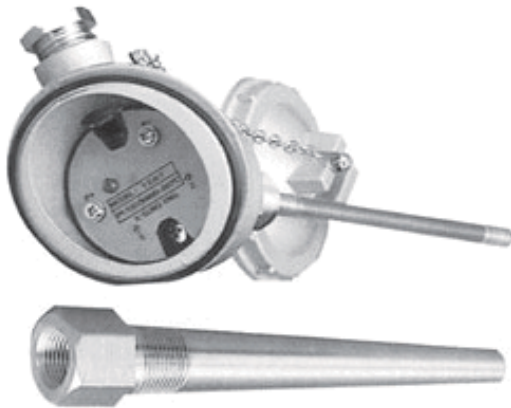
17

TEMPERATURE TRANSMITTER
DHRT



- Features : Transmitter containing PT100 ohmr
- Mounting : Screw & Flange
- Range : -200~600°C
- Sheath Material : STS304, STS316, Inconel600
- Power : DC24V
- Output : 4-20mA 2-Wire

TEMPERATURE TRANSMITTER
DHTC



- Features : Transmitter containing thermocouple
- Mounting : Screw & Flange
- Range : -0~1200°C
- Sheath Material : STS304, STS316, Inconel600
- Power : DC24V
- Output : 4-20mA 2-Wire

EXTENSION & CONDENSATING CABLE



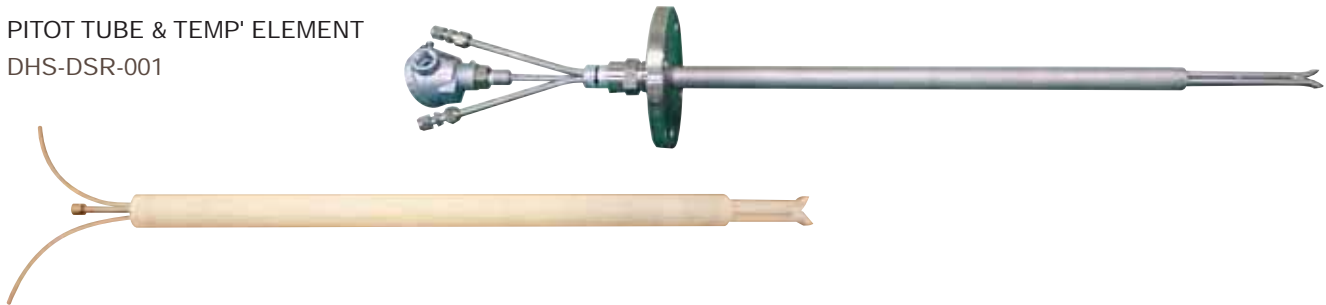
FLOW VELOCITY METER / DHF-300

FLOW VELOCITY METER
DHF-300



- Features : Type approval of measuring for chimney exhaust gases
- Range : 0-5, 6, 7, 8m/s
0-10, 12, 15, 18, 20, 25, 30, 35, 40m/s
- Mount :
- Power : AC110-220V
- Type Approval : NIER

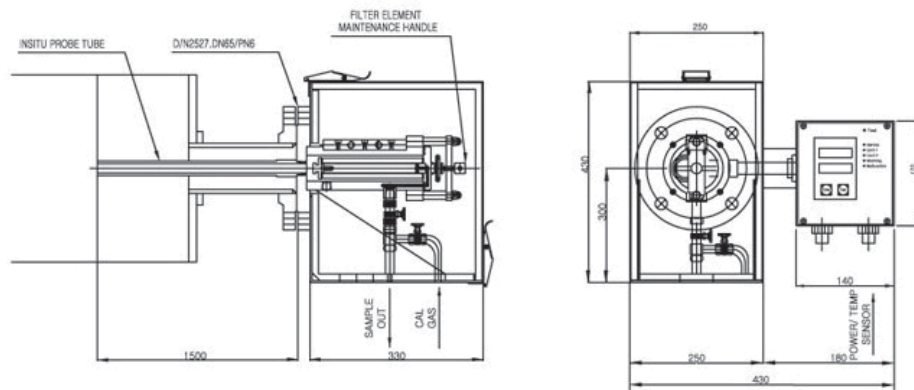
PITOT TUBE & TEMP' ELEMENT
DHS-DSR-001



TEMP' ELEMENT
DSR-003



SAMPLE GAS PROBE



INSTRUMENT RING & DRIP RING

19

INSTRUMENT RING



- Functions

- * Instrument rings are required for flange-mounted and sandwich type remote if the danger exists that the process conditions and the geometry of the connection could make the medium into deposits or blockages.

- * The Instrument ring is clamped between the process flange and the remote seal.

- * Deposits can be flushed away from the diaphragm through the holes in the size, or the pressure volume can be vented.

- * Different nominal sizes and forms permit adaptation to the respective process flange.

- Features

- * Flange standards : ANSI B 16.5, DIN 2526

- * Marked with standard, model number, series number.

- Material : 304ss, 316ss, 321ss, Alloy C-276, Duplex SS, etc.

DRIP RING



- Functions

- * Drip rings are required for flange-mounted and sandwich type remote if the danger exists that the process conditions and the geometry of the connection could make the medium into deposits or blockages.

- * The Drip ring is clamped between the process flange and the remote seal.

- * Deposits can be flushed away from the diaphragm through the holes in the size, or the pressure volume can be vented.

- * Different nominal sizes and forms permit adaptation to the respective process flange.

- Features

- * Flange standards : ANSI B 16.5, DIN 2526

- * Marked with standard, model number, series number.

- Material : 304ss, 316ss, 321ss, Alloy C-276, Duplex SS, etc.



DAE HAN INSTRUMENT

473-7, Musong-dong, Hwaseong-si, Gyeonggi-do, KOREA

E-mail : sales@dhinst.co.kr

Tel : 82. 31. 357. 8431, Fax : 82. 31. 357. 8432

<http://www.daehaninstrument.com>