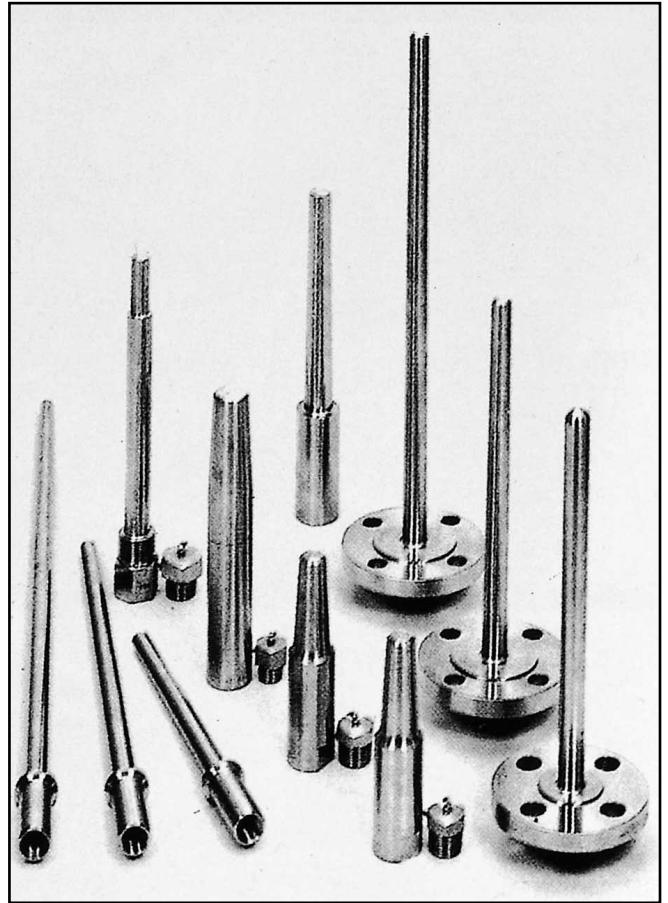


Thermo Well

Thermo Well

THERMOWELL (Drilled Bar Stock Type Protection Tube) is usually being used to ensure longer service life under critical conditions such as very corrosive gases or liquids, high temperature, high pressure, vibration shock or high flow velocity.

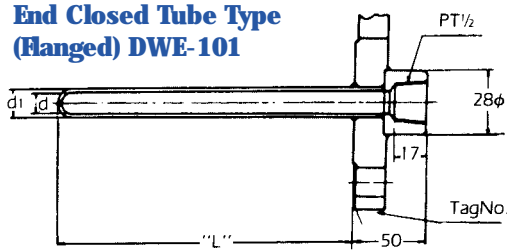
At DAEHAN various THERMOWELLS durable under these conditions are manufactured.



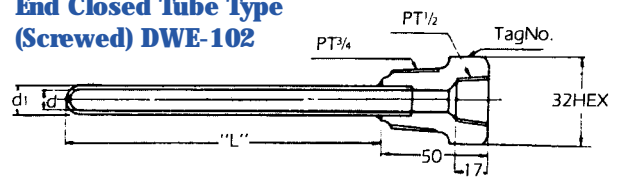
Standard Thermowells (MODEL : DWE)

*E : End Closed Type
D : Drilled Barstock

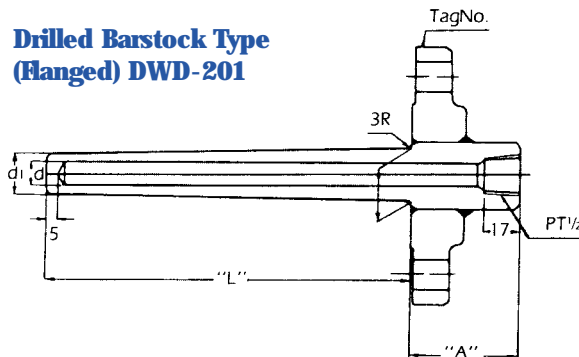
**End Closed Tube Type
(Flanged) DWE-101**



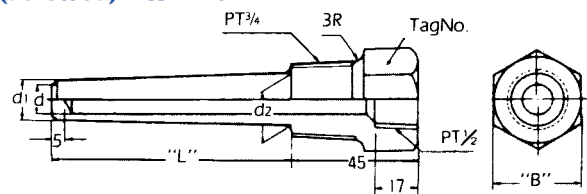
**End Closed Tube Type
(Screwed) DWE-102**



**Drilled Barstock Type
(Flanged) DWD-201**



**Drilled Barstock Type
(Screwed) DWD-202**



THERMO WELL

Thermo Well Ordering Information



Models	Suffix Codes	Description	
Thermo Well	DWE-101	End Closed Flange Type	
	DWE-102	End Closed Screwed Type	
	DWD-201	S	Drilled Bar Straight Flange Type
		T	Drilled Bar Tapered Flange Type
	DWD-202	S	Drilled Bar Straight Screwed Type
		T	Drilled Bar Taper Screwed type
Sensor Connection	P1	PT1/2 F	
	N1	NPT1/2 F	
	P3	PT3/4	
	N3	NPT3/4	
	OP	Option(Size 직접 표기)	
Process Connection	<input type="checkbox"/> <input type="checkbox"/> (Size 직접표기)	PT1/2, NPT1/2, PT3/4, NPT3/4, PT1, NPT1, SW1, SW1-1/2, 10K 25A RF, 150# 1B RF etc.	
Flange/Well Tube	CS	Carbon Steel	
	4S(4L)	304SS(304L SS)	
	4S(6L)	316SS(316L SS)	
	I6	Inconel600	
	P4	446SS	
	10	310SS	
	M4	Monel400	
	TL	Titanium	
	AL	Aluminium	
	TC	Teflon Coating	
	TL	Teflon Lining	
	TL	Tungsten Carbide Coating	
	GL	Glass Lining	
OP	Option(재질 직접 표기)		
"T" Length	S	Standard 45mm	
	<input type="checkbox"/> <input type="checkbox"/>	Length 직접 표기	
	OP	Option	
	Notes : "T" Length 직접 표기 치수는 Standard 45mm가 포함되지 않은 치수로 표기 치수 만큼 길어짐		
"U" Length	<input type="checkbox"/> <input type="checkbox"/> <input type="checkbox"/>	직접표기(단위mm)	
In / Outdia(mm)	<input type="checkbox"/> <input type="checkbox"/> / <input type="checkbox"/> <input type="checkbox"/>	직접표기(단위mm)	