

HD-RTD

본 제품은 RTD 온도센서를 받아 절연된 DC Signal로 변환하여 출력하는 Converter입니다.



GENERAL SPECIFICATION

Construction : Plug-In
 Wiring : M3.5 Screw Terminals
 Housing : Plastic(Black)
 Isolation : Power to Input to Output 1 to Output 2
 Front Adjustment : Zero and Span $\pm 15\%$

INPUT

Input : 3 wire RTD
 Sensing Current : 1mA
 RTD Temp' resistance Comparison Table.

RTD Temp	JPt100Ω (JIS'89)	Pt100 Ω (DIN,IEC751)
0℃	100.00 Ω	100.00 Ω
100℃	139.16 Ω	138.50 Ω

OUTPUT

DC VOLTAGE : $\pm 12V$ Max
 Load Resistance : Output drive 1mA Max. $AT \geq 0.5V$

output	Load Resistance
0 ~ 10mV	10Ω Min
0 ~ 100mV	100Ω Min
0 ~ 1V	1KΩ Min
0 ~ 5V	5KΩ Min
0 ~ 10V	10KΩ Min
-10 ~ 10V	10KΩ Min
1 ~ 5V	5KΩ Min

DC CURRENT : 0 ~ 20mA

Load Resistance : Output drive 15V Max

output	Load Resistance
0 ~ 1mA	15KΩ Max
0 ~ 10mA	1.5KΩ Max
0 ~ 20mA	750Ω Max
1 ~ 5mA	3KΩ Max
4 ~ 20mA	750Ω Max

INSTALLATION

Operating Temperature : -10 ~ 65℃
 Operating Humidity : 90% RH Max(non-condensing)
 Mounting : Wall or DIN rail

Power Unit

- AC : Rating $\pm 10\%$, approx. 3VA

- DC : Rating $\pm 10\%$ (ripple 10% p-p Max), approx.2w

PERFORMANCE

Accuracy : $\pm 0.1\%$ FS
 Temp. coefficient : $\pm 0.015\%/^{\circ}C$
 Response time : $\leq 0.4\text{sec}$ (0 ~ 90%)
 Insulation resistance : $\geq 100M\Omega$ with 500VDC
 Dielectric strength : 2000VAC @ 1minute
 (Input to Output to Power to Ground)
 Burn out response : $\leq 10\text{sec}$
 Burn out protection : Up scale standard
 (Down scale or no burn out option)

ORDERING CODE SELECTION

MODEL : HD-RTD [] [] [] [] [] [] [] [] [] [] [] []

PIN CONNECTION

A : 8 PIN B : 11 PIN

INPUT

1: JPt 100Ω (JIS'89)
 2: Pt 100Ω (DIN,IEC 751)
 0: Other Spec

OUTPUT 1

VOLTAGE	CURRENT
1 : 0 ~ 10mV DC	A : 0 ~ 1mA DC
2 : 0 ~ 100mV DC	B : 0 ~ 10mA DC
3 : 0 ~ 1V DC	C : 0 ~ 20mA DC
4 : 0 ~ 5V DC	D : 1 ~ 5mA DC
5 : 0 ~ 10V DC	E : 4 ~ 20mA DC
6 : -10 ~ 10V DC	S : Other Current
7 : 1 ~ 5V DC	
0 : Other Voltage	

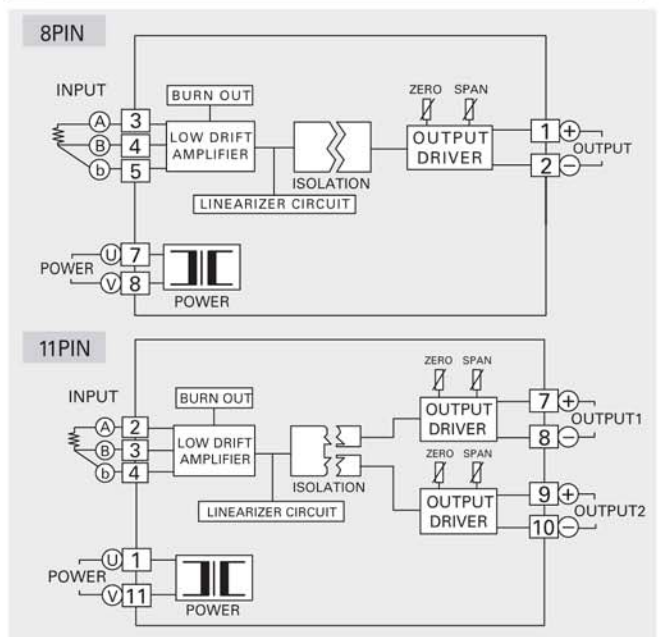
OUTPUT 2

S : Same Range availability as OUTPUT 1
 N : None

POWER

X : AC110V/60Hz, AC220V/60Hz
 AC110V/220V S/W is located in the back plane
 Z : DC 24V S : Other Power

CONNECTION DIAGRAM



※주의※ 제품의 성능 향상을 위하여 제품내용및사양은 통보없이 변경될 수 있습니다.