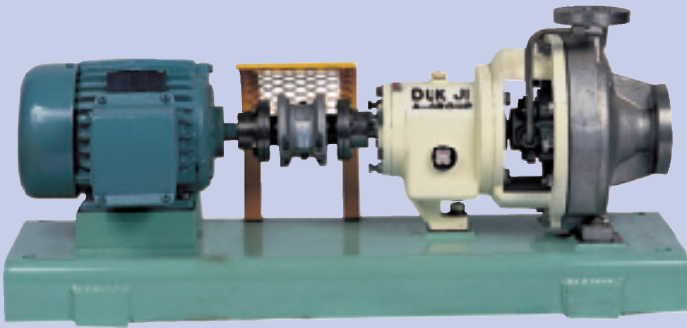


MODEL DAP

ANSI Process Pump



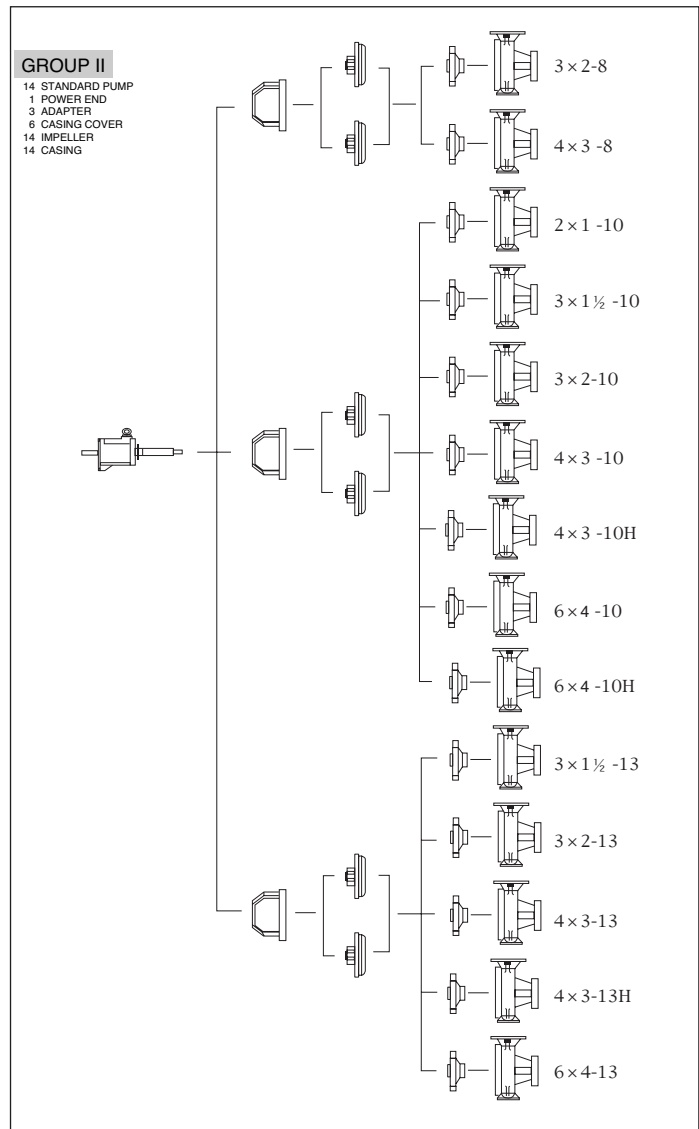
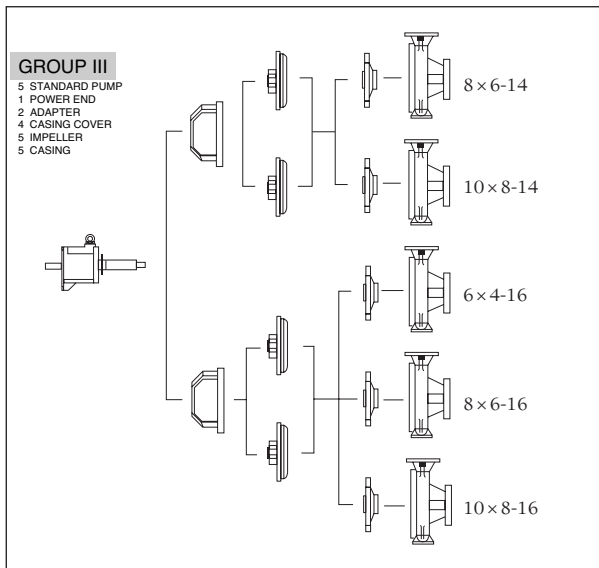
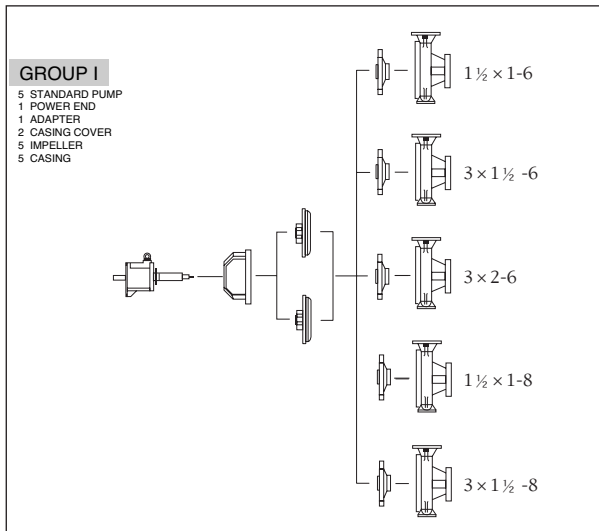
■ APPLICATIONS

- Use of chemical process
- Petrochemical industry
- Petroleum refineries
- Other chemical industries

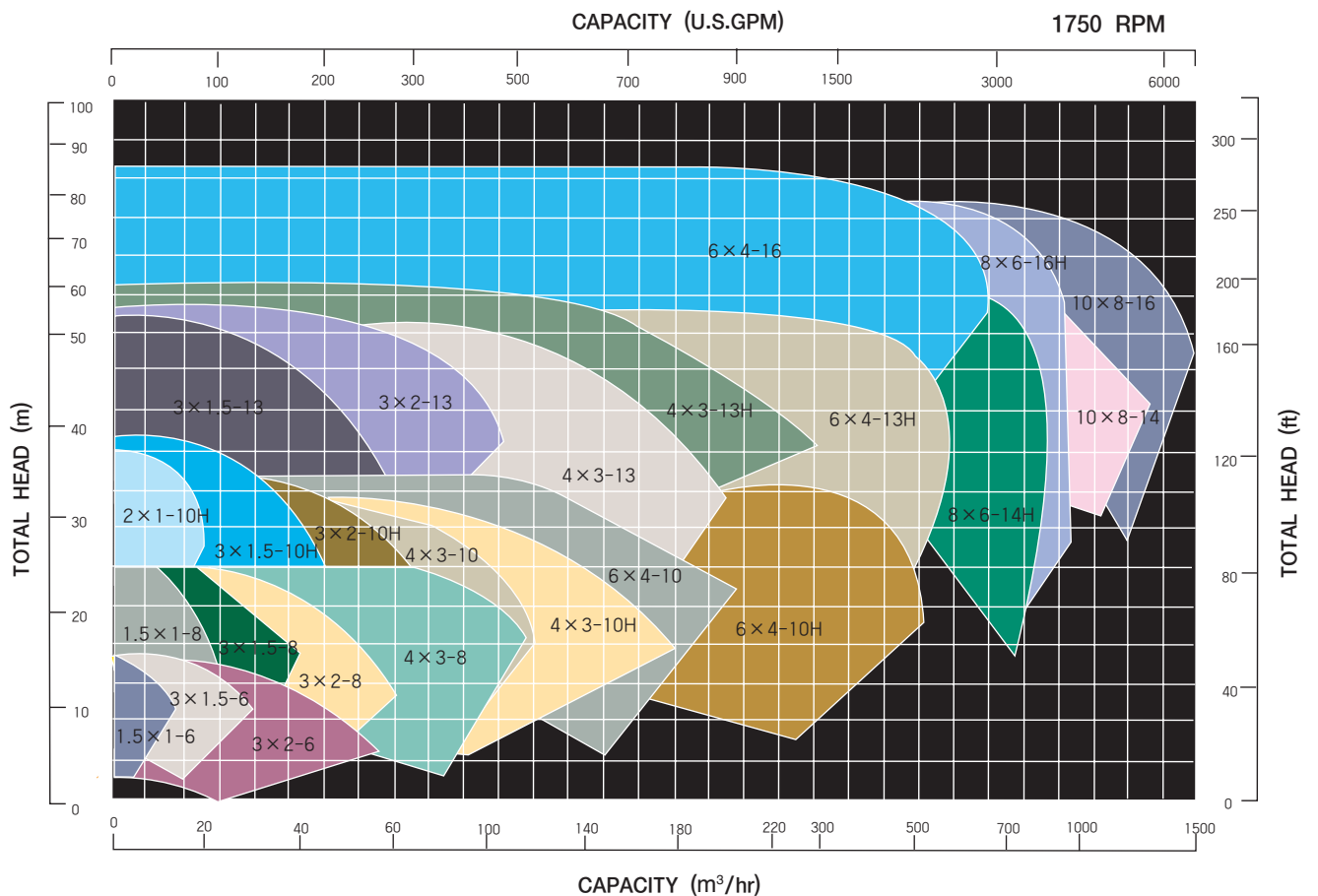
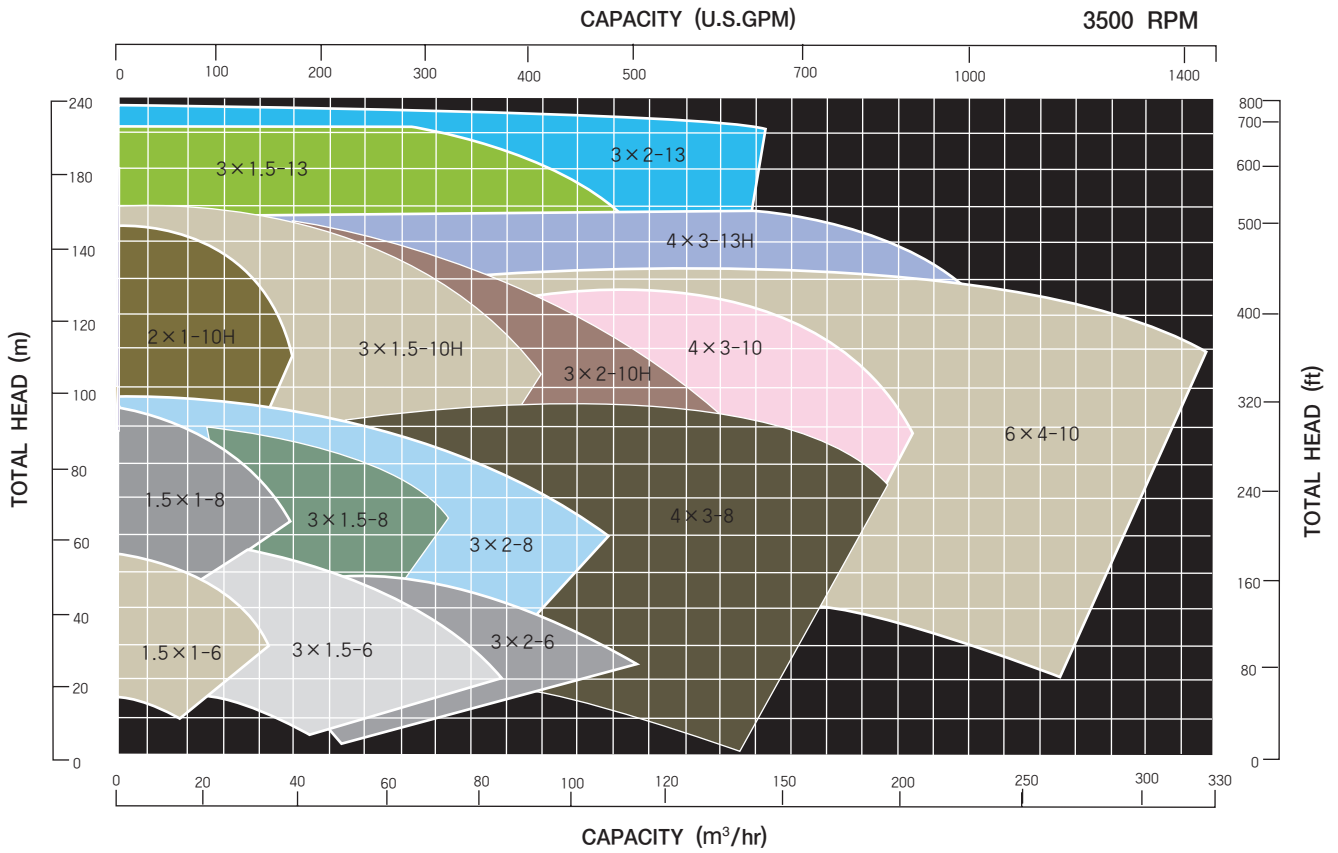
■ FEATURE

- Full compliance with ANSI B73.1M standard
- Foot support and heavy duty design
- Back pull-out casing
- Completely standardization for wide application
- Flexibility of design handles wide range of liquids
- High efficiency
- Low NPSH performance

■ INTERCHANGEABILITY CHART



SELECTION CHART

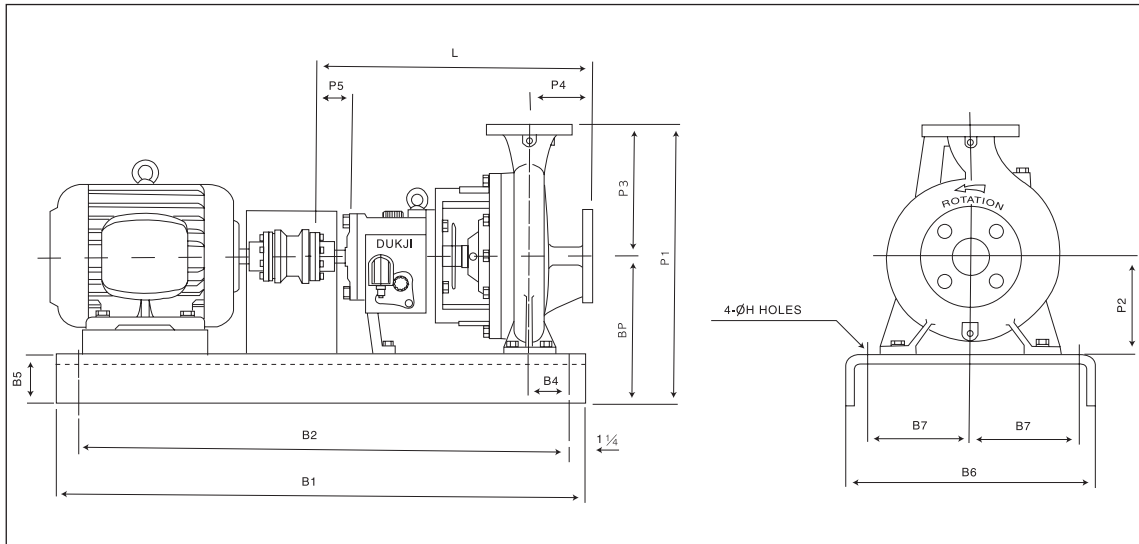


* Performance range shown on these chart are preliminary selection only

MODEL DAP

ANSI Process Pump

OUTLINE DIMENSION

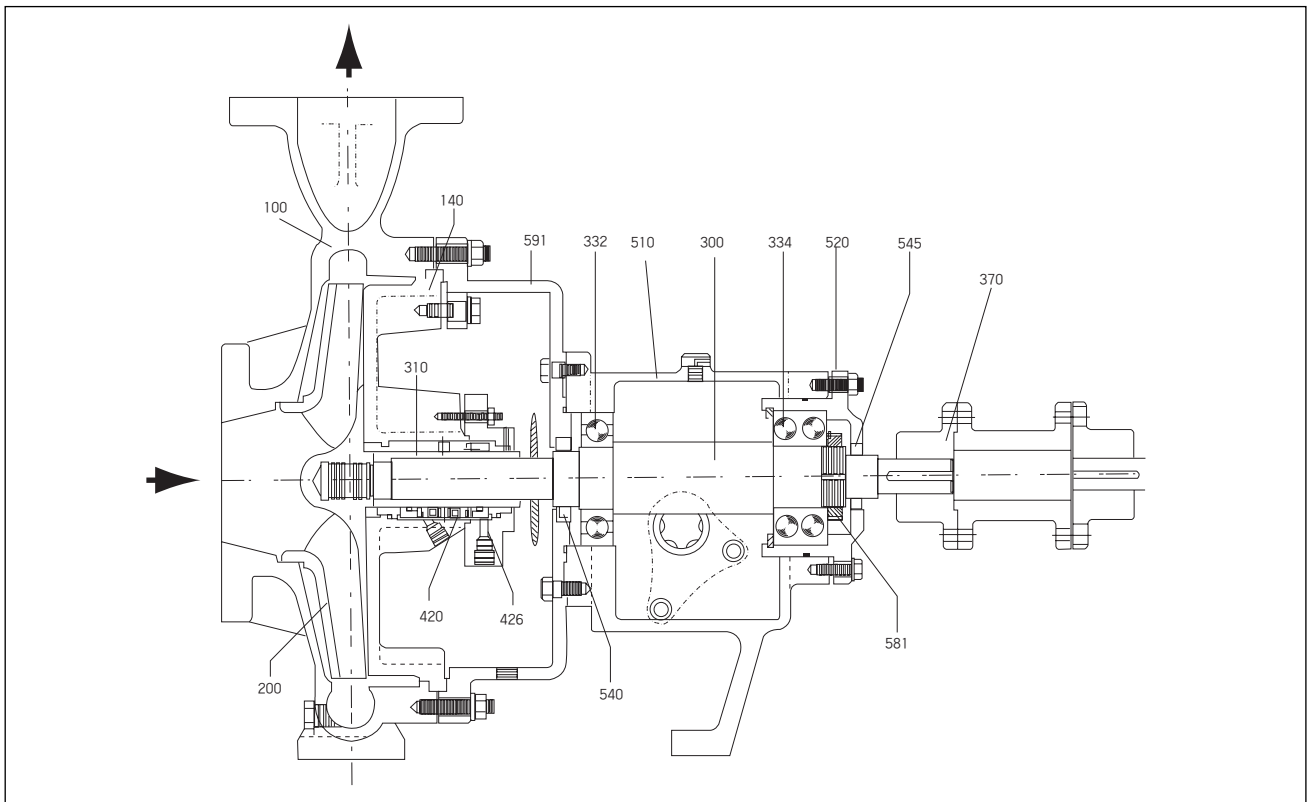


Pump Group	ANSI Design	Size Suction x Discharge x Max.Imp.Dia	Pump Weight lbs.(kg)	Pump Dimensions							Shaft	
				p1 in.(mm)	p2 in.(mm)	p3 in.(mm)	p4 in.(mm)	p5 Min. in.(mm)	L in.(mm)	Dia in.(mm)	Keyway in.(mm)	
GP I	AA	1 1/2 x 1-6	97(44)	11 3/4 (298)	5 1/4 (133)	6 1/2 (165)	4 (102)	2 (51)	17 1/2 (445)	3/8 (22.23)	3/16 x 3/32 (4.76 x 2.38)	
	AB	3 x 1 1/2-6	112(51)									
		3 x 2-6	116(53)									
	AA	1 1/2 x 1-8	103(47)									
		3 x 1 1/2 - 8	124(56)	14 1/2 (368)	7 (177.8)	7 1/2 (190.5)						
GP II	A60	3 x 2-8	200(90)	8 1/4 (210)	8 1/2 (216)	8 1/2 (216)	4 (102)	2 3/8 (67)	23 1/2 (597)	1 1/2 (38.1)	3/8 x 3/16 (9.5 x 4.76)	
	A70	4 x 3-8	227(103)									9 1/2 (242)
	A05	2 x 1-10	210(94)									11 1/2 (280)
	A50	3 x 1 1/2-10	220(100)									16 3/4 (425)
	A60	3 x 2-10	226(103)									17 3/4 (450)
	A70	4 x 3-10	225(101)									19 1/2 (490)
	A40	4 x 3-10H	249(112)									22 1/2 (572)
	A80	6 x 4-10	290(130)									23 1/2 (597)
	A80	6 x 4-10H	328(149)									23 1/2 (597)
	A20	3 x 1 1/2-13	250(120)									20 1/2 (520)
	A30	3 x 2-13	258(116)									21 1/2 (546)
	A40	4 x 3-13	281(126)									22 1/2 (572)
	A40	4 x 3-13H	281(126)									22 1/2 (572)
	GP III	A80	6 x 4-13									324(145)
A90		8 x 6-14	680(306)	30 3/4 (775)	16(406)	16(406)	6(152)	4(102)	33 3/4 (860)	2 3/8 (60.33)	3/8 x 5/16 (15.88 x 7.94)	
A100		10 x 8-14	899(408)	32 1/2 (826)	18(457)	18(457)						
A110		8 x 6-16	641(291)	30 3/4 (775)	16(406)	16(406)						
A120		10 x 8-16	917(416)	33 1/2 (851)	18(457)	19(483)						

Pump Group	BasePlate.	Max. Motor Frame	Baseplate Mounting Dimensions									
			Weight lbs.(kg)	B1 in.(mm)	B2 in.(mm)	B4 in.(mm)	B5 in.(mm)	★ BP1 in.(mm)	★ BP2 in.(mm)	B6 in.(mm)	B7 in.(mm)	H in.(mm)
GP I	50	182T	100(45.5)	35(889)	32 1/2 (826)	4 1/2 (114)	3(76)	8 1/4 (210)	10(254)	12(305)	4(102)	3/4 (19)
	51	215T	98(44.5)	39(991)	36 1/2 (927)		3 3/4 (83)	▲ 8 3/4 (219)	10 1/4 (260)	13(330)	4 1/2 (114)	
	53A	245T	140(63.5)	44(1118)	41 1/2 (1054)		3 1/2 (89)	▲ 9 3/4 (251)	10 3/4 (267)	17(432)	6(152)	
		256T					▲ 10 3/4 (219)	▲ 10 3/4 (270)				
GP II	284T											
	52	215T	128(58)	45(1143)	41 1/2 (1080)	3 3/4 (95)	12(305)	13 3/4 (349)	15(381)	4 1/2 (114)		
	53	284T	174(49)	52(1321)	49 1/2 (1257)	4 3/4 (105)	12 3/4 (314)	14 1/4 (356)	17(432)	6(152)		
	54	326T	226(102.5)	58(1473)	55 1/2 (1410)	4 3/4 (121)	13(330)	14 3/4 (375)	20(508)	7 1/2 (190)		
		365T				▲ 13 3/4 (352)	20(508)					
	55	404T	310(141)	60(1524)	57 1/2 (1460)	4 3/4 (121)	▲ 14 3/4 (378)	▲ 14 3/4 (378)	22(559)	1(25)		
		405TS				▲ 15 3/4 (403)	▲ 15 3/4 (403)					
		444TS										
56	405T	312(141.5)	61 3/4 (1568)	59 1/2 (1505)	4 3/4 (121)	▲ 14 3/4 (378)	▲ 14 3/4 (378)	24(610)	7 1/2 (190)			
	445T				▲ 15 3/4 (403)	▲ 15 3/4 (403)						
GP III	58	365T	412(187)	68(1727)	65 1/2 (1664)	9 3/4 (248)	18 3/4 (476)		20(508)	7 1/2 (190)	1 1/2 (28.58)	
	365TS											
	59	445	494(224)	80(2032)	77 1/2 (1968)	7 3/4 (197)	18 3/4 (476)		22(559)	8 1/2 (216)		
	447TS											
60	447T	604(207)	84(2134)	81 1/2 (2070)	6 3/4 (159)	18 3/4 (476)		25(635)	9 1/2 (241)			
	449TS											
61	449TS	633(287)	88(2235)	85 1/2 (2172)	7 3/4 (197)	18 3/4 (476)		25(635)	11(279)			

★ GP I BP₂ applies to 3 x 1 1/2 - 8 only ▲ includes spacer under pump
 GP II BP₂ applies to 3 x 2 - 8, 4 x 3 - 8, 2 x 1 - 10A, 3 x 1 1/2 - 10A, and 4 x 3 - 10
 BP₂ applies to 4 x 3 - 10H, 6 x 4 - 10H, 3 x 1 1/2 - 13, 3 x 2 - 13, 4 x 3, and 6 x 4 - 13

CONSTRUCTION



PART NO.	PART NAME	MATERIALS							
		DUCTILE IRON	304SS	316SS	CD4MCU	ALLOY.-20	HAST.-B	HAST.-C	TITANIUM
100	CASING	GCD450	SSC13	SSC14	CD4MCU	ALLOY.-20	HAST.-B	HAST.-C	TITANIUM
140	CASING COVER	GCD450	SSC13	SSC14	CD4MCU	ALLOY.-20	HAST.-B	HAST.-C	TITANIUM
200	IMPELLER	GCD450	SSC13	SSC14	CD4MCU	ALLOY.-20	HAST.-B	HAST.-C	TITANIUM
300	SHAFT	SM45C	STS304	STS316	STS420J2	STS316	STS316	STS316	STS316
310	SLEEVE	STS304	STS304	STS316	STS420J2	STS316	HAST.-B	HAST.-C	TITANIUM
332	BEARING(INBOARD)	STB2							
334	BEARING(OUTBOARD)	STB2							
370	COUPLING	GC200							
420	MECH.SEAL								
426	SEAL GLAND	GCD450	SSC13	SSC14	CD4MCU	ALLOY.-20	HAST.-B	HAST.-C	TITANIUM
510	BRACKET	GC200							
520	BRG.HOUSING	GC200							
540	OIL SEAL	NBR							
545	OIL SEAL	NBR							
581	BRG.LOCK NUT	SM25C							
591	ADAPTER	GCD450							

* Other materials are available on request