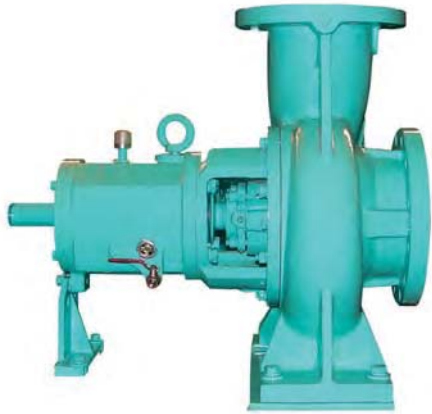


MODEL DGP ISO 2858 GENERAL PUMP



APPLICATION

Industrial process, chemical industry, water treatment other manufacturing industry, etc

FEATURES

- Full compliance with ISO 2858 standard
- High efficiency with close type impeller
- Easy assembly with BACK PULL-OUT structure, spacer coupling (Optional)
- Heavy Duty Design

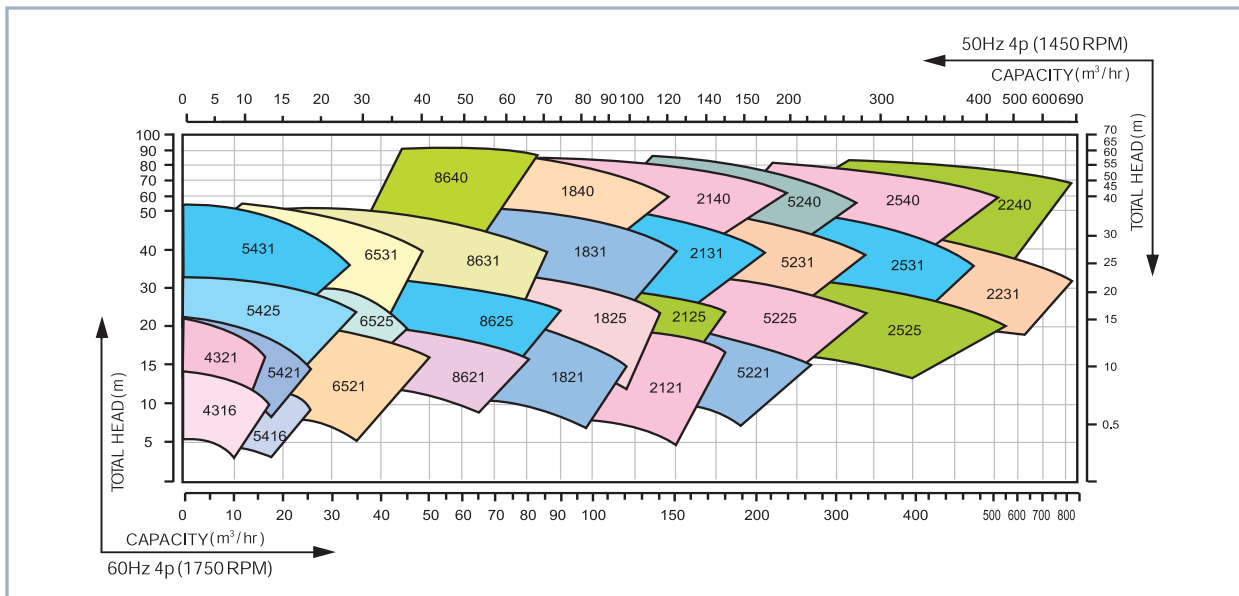
STANDARD SPECIFICATION

- Capacity : ~ 800 m³/hr
- Head : ~ 100 m
- Bore : $\varnothing 32 \sim \varnothing 250$
- Impeller Type : Close
- Rotation : C.W (Viewed from drive end.)
- Shaft sealing : Mechanical seal & Gland packing
- Lubrication : Grease & Oil Bath Type

MATERIAL

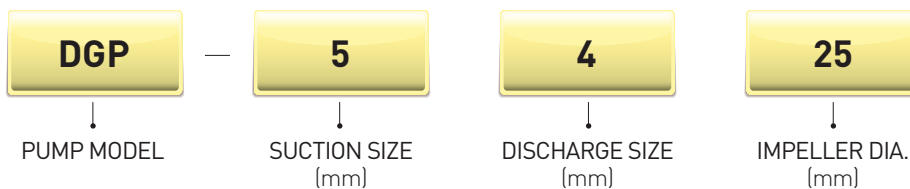
- Cast Iron
- Stainless Steel
- Duplex, Super Duplex
- Special alloy (ALLOY-20, HASTELLOY, TITANIUM, Hi-Cr)

SELECTION CHART

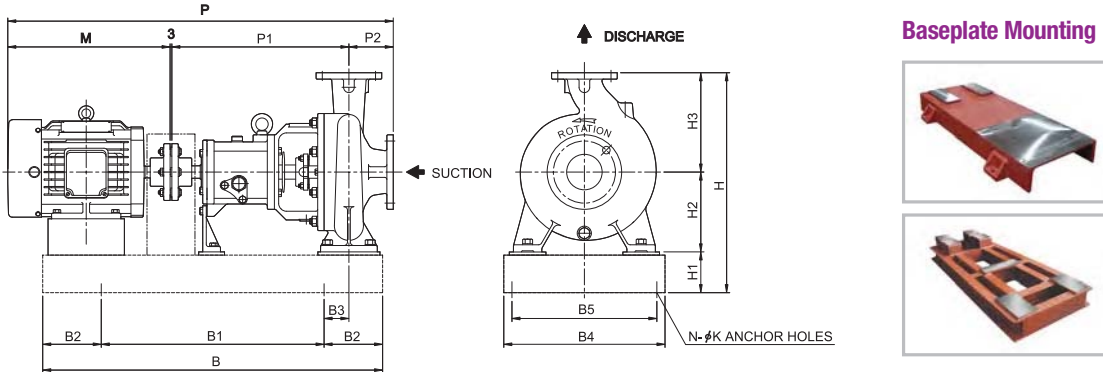


* Performance range shown on these chart are preliminary selection only

MODEL DESIGNATION



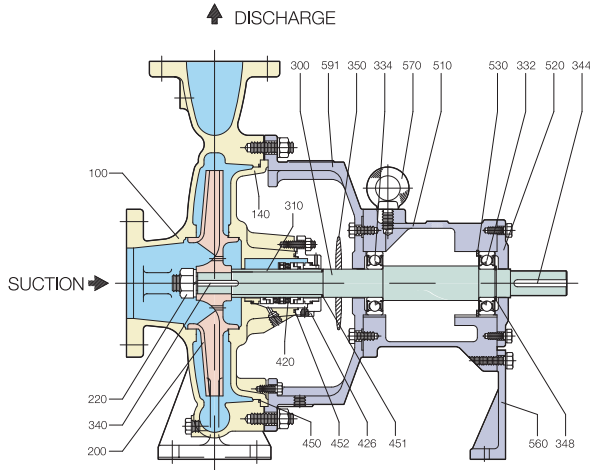
OUTLINE DIMENSION DRAWING



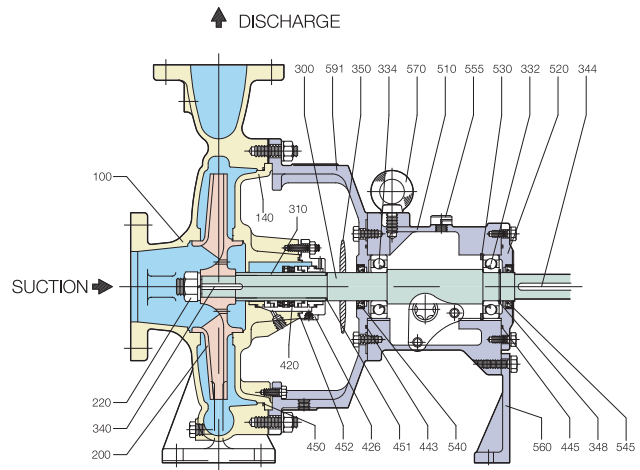
MODEL	BORE		POWER (kW)	PUMP & MOTOR				BASE PLATE						PUMP & BASE				WEIGHT(Kg)			
	SUC.	DIS.		P	P1	P2	M	B	B1	B2	B3	B4	B5	N-øK	H	H1	H2	H3	PUMP & BASE	MOTOR	TOTAL
DGP4316A	40	32	0.75	745	385	80	277	700	400	150	90	390	360	4-15	392	100	132	160	73	15	88
			1.5	805	385	80	337	750	450	150	90	390	360	4-15	392	100	132	160	76	24	100
DGP4321A	40	32	1.5	805	385	80	337	750	450	150	90	390	360	4-15	440	100	160	180	80	24	104
			2.2	844	385	80	376	750	450	150	90	390	360	4-15	440	100	160	180	83	30	113
DGP5416A	50	40	1.5	805	385	80	337	750	450	150	90	390	360	4-15	372	100	132	140	76	24	100
			2.2	844	385	80	376	750	450	150	90	390	360	4-15	372	100	132	140	79	30	109
DGP5421A	50	40	2.2	864	385	100	376	750	450	150	90	390	360	4-15	440	100	160	180	84	30	114
			3.7	866	385	100	378	750	450	150	90	390	360	4-15	440	100	160	180	84	39	123
DGP5425A	50	40	3.7	866	385	100	378	800	500	150	80	470	440	4-15	515	110	180	225	108	39	147
			5.5	930	385	100	442	800	500	150	80	470	440	4-15	515	110	180	225	108	56	164
DGP5431A	50	40	5.5	930	385	100	442	800	500	150	80	470	440	4-15	585	110	225	250	141	56	197
			7.5	969	385	100	481	850	550	150	80	470	440	4-15	585	110	225	250	145	70	215
DGP6521A	65	50	2.2	864	385	100	376	750	450	150	90	390	360	4-15	460	100	160	200	88	30	118
			3.7	866	385	100	378	750	450	150	90	390	360	4-15	460	100	160	200	88	39	127
DGP6525A	65	50	3.7	866	385	100	378	800	500	150	80	470	440	4-15	515	110	180	225	110	39	149
			5.5	930	385	100	442	800	500	150	80	470	440	4-15	515	110	180	225	110	56	166
DGP6531B	65	50	7.5	1109	500	125	481	1000	700	150	80	490	450	4-19	615	110	225	280	160	70	230
			11	1216	500	125	588	1050	750	150	80	490	450	4-19	615	110	225	280	165	109	274
DGP8621A	80	65	3.7	866	385	100	378	800	500	150	80	470	440	4-15	515	110	180	225	105	39	144
			5.5	930	385	100	442	800	500	150	80	470	440	4-15	515	110	180	225	105	56	161
DGP8625B	80	65	7.5	1084	500	100	481	1000	700	150	80	490	450	4-19	560	110	200	250	144	70	214
			11	1191	500	100	588	1050	750	150	80	490	450	4-19	560	110	200	250	149	109	258
DGP8631B	80	65	11	1216	500	125	588	1070	770	150	55	470	430	4-19	615	110	225	280	145	109	254
			15	1260	500	125	632	1120	820	150	55	470	430	4-19	615	110	225	280	147	136	283
DGP1821B	100	80	5.5	1070	500	125	442	950	650	150	80	490	450	4-19	540	110	180	250	127	56	183
			7.5	1109	500	125	481	1000	700	150	80	490	450	4-19	540	110	180	250	130	70	200
DGP1825B	100	80	11	1216	500	125	588	1070	770	150	55	470	430	4-19	615	110	225	280	132	109	241
			15	1260	500	125	632	1120	820	150	55	470	430	4-19	615	110	225	280	134	136	270
DGP1831B	100	80	18.5	1275	500	125	647	1120	820	150	55	470	430	4-19	675	110	250	315	150	161	311
			22	1275	500	125	647	1120	820	150	55	470	430	4-19	675	110	250	315	150	161	311
DGP8640C	80	65	18.5	1275	500	125	647	1120	820	150	55	470	430	4-19	675	110	250	315	150	161	311
			22	1275	500	125	647	1120	820	150	55	470	430	4-19	675	110	250	315	150	161	311
DGP1840C	100	80	30	1364	530	125	706	1190	890	150	55	570	530	4-19	745	110	280	355	198	182	380
			37	1449	530	125	791	1280	980	150	55	570	530	4-19	775	140	280	355	224	282	506
DGP2121B	125	100	11	1216	500	125	588	1100	800	150	60	490	450	4-19	590	110	200	280	150	109	259
			15	1260	500	125	632	1150	850	150	60	490	450	4-19	590	110	200	280	154	136	290
DGP2125B	125	100	15	1275	500	140	632	1120	820	150	55	470	430	4-19	615	110	225	280	146	136	282
			18.5	1290	500	140	647	1120	820	150	55	470	430	4-19	615	110	225	280	146	161	307
DGP2131C	125	100	22	1320	530	140	647	1160	860	150	55	470	430	4-19	675	110	250	315	159	161	320
			30	1379	530	140	706	1190	890	150	55	470	430	4-19	675	110	250	315	161	182	343
DGP2140C	125	100	45	1464	530	140	791	1280	980	150	55	570	530	6-19	775	140	280	355	240	282	522
			55	1490	530	140	817	1300	980	150	55	570	530	6-19	775	140	280	355	241	345	586
DGP5221B	150	125	11	1231	500	140	588	1070	770	150	55	470	430	4-19	675	110	250	315	147	109	256
			15	1275	500	140	632	1120	820	150	55	470	430	4-19	675	110	250	315	149	136	285
DGP5225C	150	125	22	1320	530	140	647	1160	860	150	55	470	430	4-19	715	110	250	355	164	161	325
			30	1379	530	140	706	1190	890	150	55	470	430	4-19	715	110	250	355	166	182	348
DGP5231C	150	125	37	1464	530	140	791	1280	980	150	35	570	530	4-19	775	140	280	355	221	282	503
			45	1464	530	140	791	1280	980	150	35	570	530	4-19	775	140	280	355	221	282	503
DGP5240C	150	125	55	1490	530	140	817	1310	1010	150	35	570	530	6-19	855	140	315	400	259	345	604
			75	1574	530	140	901	1380	1080	150	35	570	530	6-19	855	140	315	400	262	490	652
DGP2525C	200	150	37	1484	530	160	791	1280	980	150	35	570	530	4-19	795	140	280	375	258	282	540
			45	1484	530	160	791	1280	980	150	35	570	530	4-19	795	140	280	375	258	282	540
DGP2531D	200	150	55	1624	670	160	791	1430	1130	150	45	570	530	6-24	855	140	315	400	242	282	524
			75	1778	670	160	945	1500	1200	150	45	570	530	6-24	855	140	315	400	247	450	697
DGP2540D	200	150	75	1778	670	160	945	1500	1200	150	35	620	580	6-24	905	140	315	450	300	450	750
			110	1924	670	160	1091	1620	1320	150	35	620	580	6-24	935	170	315	450	333	615	948
DGP2231D	250	200	90	1792	670	180	939	1500	1200	150	35	670	620	6-24	995	170	375	450	349	550	899

SECTIONAL DRAWING

GREASE TYPE



OIL BATH TYPE

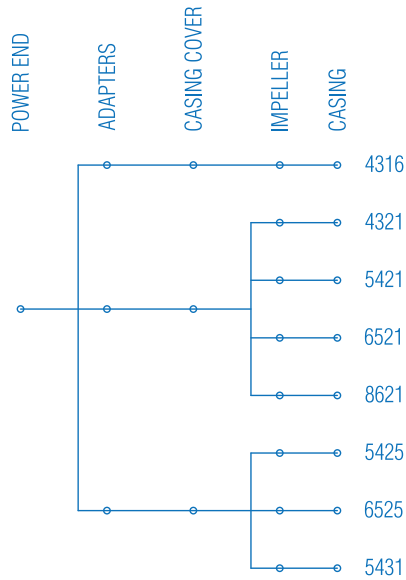


OPTION : LABYRINTH TYPE

No.	NAME OF PARTS	Q'Ty	MATERIAL			
			M1	M2	M3	M4
100	CASING	1	GC 200	SSC 13	SSC 14	SSC 16
140	CASING COVER	1	GC 200	SSC 13	SSC 14	SSC 16
200	IMPELLER	1	GC 200	SSC 13	SSC 14	SSC 16
220	IMPELLER NUT	1	SM 45C	STS 304	STS 316	STS 316L
300	SHAFT	1	SM 45C	STS 304	STS 316	STS 316L
310	SLEEVE	1	SM 45C	STS 304	STS 316	STS 316L
332	BEARING (OUTBORD)	2	STB 2	STB 2	STB 2	STB 2
334	BEARING (INBORD)	1	STB 2	STB 2	STB 2	STB 2
344	COUPLING KEY	1	SM 45C	SM 45C	SM 45C	SM 45C
348	BEARING LOCK N.W.	1	SM 45C	SM 45C	SM 45C	SM 45C
350	DEFLECTOR	1	NBR	NBR	NBR	NBR
420	MECH. SEAL	1SET	-	-	-	-
426	SEAL GLAND	1	SSC 13	SSC13	SSC14	SSC16
443	O-RING (ADAPTER)	1	NBR	NBR	NBR	NBR
445	O-RING (BRG. COVER)	1	NBR	NBR	NBR	NBR
450	O-RING (CASING)	1	NBR	NBR	NBR	NBR
451	O-RING (SLEEVE)	1	NBR	NBR	NBR	NBR
452	O-RING (SEAL GLAND)	1	NBR	NBR	NBR	NBR
510	BRG. HOUSING	1	GC 200	GC 200	GC 200	GC 200
520	BRG. COVER	1	GC 200	GC 200	GC 200	GC 200
530	SNAP RING (BRG. HOUSING)	1	STC 5	STC 5	STC 5	STC 5
540	OIL SEAL (ADAPTER)	1	NBR	NBR	NBR	NBR
545	OIL SEAL (BRG. COVER)	1	NBR	NBR	NBR	NBR
555	OIL CAP	1	PLASTIC	PLASTIC	PLASTIC	PLASTIC
560	SUPPORT	1	GC 200	GC 200	GC 200	GC 200
570	EYE BOLT	1	SM 25C	SM 25C	SM 25C	SM 25C
591	ADAPTER	1	GC 200	GC 200	GC 200	GC 200

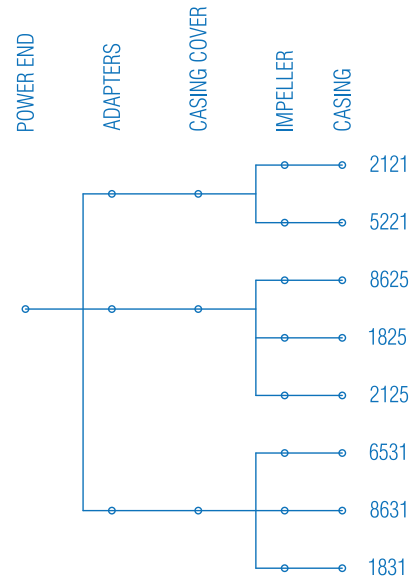
DGP Group A

- M/Seal Size : Ø30
- BRG. : 6306ZZ C3 x 1 , 6306ZZ C3 x 1 (GREASE)
- BRG. : 6306 C3 x 1 , 6306 C3 x 1 (OIL)



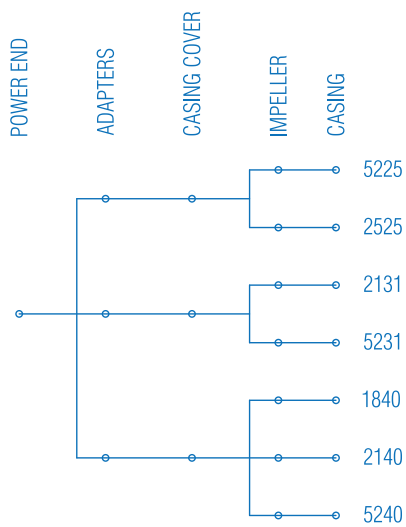
DGP Group B

- M/Seal Size : Ø40
- BRG. : 6308ZZ C3 x 1 , 6308ZZ C3 x 1 (GREASE)
- BRG. : 6308 C3 x 1 , 6308 C3 x 1 (OIL)



DGP Group C

- M/Seal Size : Ø50
- BRG. : 6310ZZ C3 x 1 , 5311ZZ C3 x 1 (GREASE)
- BRG. : 6310 C3 x 1 , 5311 C3 x 1 (OIL)



DGP Group D

- M/Seal Size : Ø70
- BRG. : 6314Z C3 x 1 , 6314Z C3 x 1 (GREASE)
- BRG. : 6314 C3 x 1 , 6314 C3 x 1 (OIL)

