

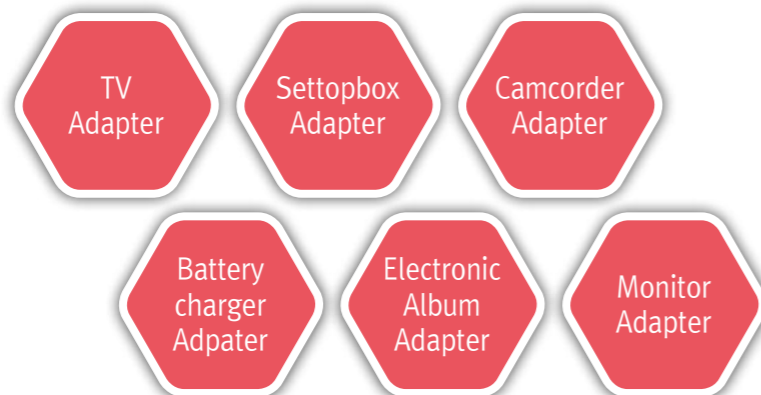
03 | Adaptor basic info



Adaptor for appliances

외장형 전원공급 제품으로서 상용 전원을 트랜스와 반도체 소자를 이용하여 고효율의 전력으로 변환하고, LED TV/Set Top Box/NOTE PC 등의 전자기기에 전압을 공급하는 장치입니다.

| 개발영역 |



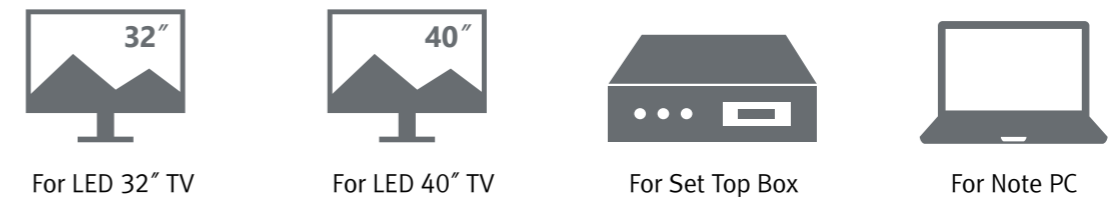
Adaptor basic info



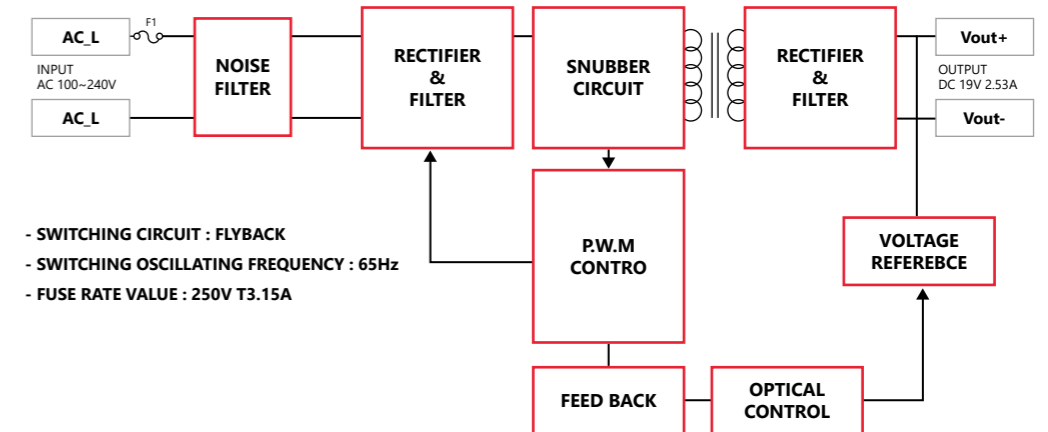
| 제품특징 |

- 32,40 인치 TV Adaptor, Set Top Box용 제품 개발
- 고효율, 저소비 전력(Level VI)
- 회로 간소화/최적화, 무결점, 무분당 설계
- 품질경쟁력, 제조인프라 기반
- 고객이 원하는 전원사양 및 기구설계 실현 (Size 최적화, Box Type/Wall Type 설계)
- Global top display set 업체용 아답터 개발중 (Slim type for TV)

| 어플리케이션 |



| 제품구조도 |



| 제품라인업 (W/W) |

ADT for TV & STB										
Application	TV & STB & MNT									
Input voltage	90~265V									
Output power	30W	36W	40W	45W	48W	56W	60W	78W~		
Image									개발중	
Output voltage/ current	12V, 2.5A	14V, 2.14A	12V, 3A	12V, 3A	12V, 3.34A	14V, 3.2A	19V, 2.58A	14V, 4A		14V, 4.29A
Dim(mm)	117 x 60 x 31	117 x 60 x 32	120 x 63 x 31	100 x 58 x 31	105 x 45 x 31	117 x 60 x 31	108 x 54 x 30	117 x 60 x 31		145 x 56 x 30
Efficiency	Min 87%									
EMI	Class B									

CHARGER

WIRELESS CHARGER

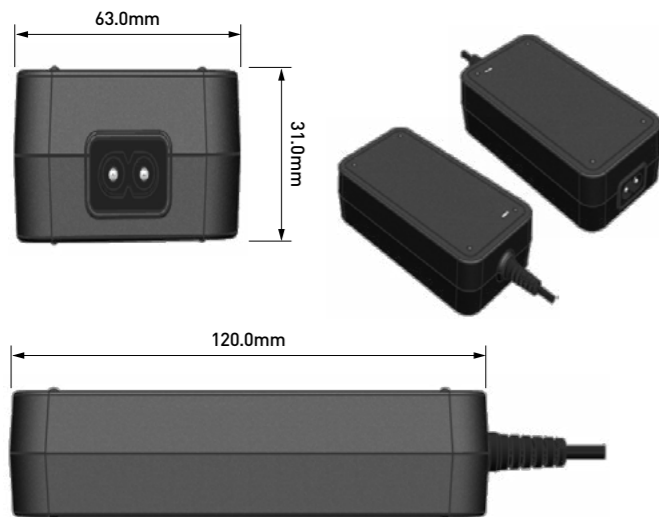
ADAPTER

EMBEDDED SMPS

INVERTER

PV INVERTER

60W ADAPTER



1. INPUT CHARACTERISTICS

- Input Voltage Range: 176V ~ 264Vac
- Input Frequency Range: 47Hz ~ 63Hz
- Input Current: $\leq 0.9\text{Arms}$
- No Load Operation: 0.27W Max 230V/50Hz
- Efficiency(normal): 87.0%

2. OUTPUT CHARACTERISTICS

- Output Watt : 60W
- Output Voltage : 14V
- Load Range : Typical 4.29A
- Regulation(V) : 13.3V ~ 14.7V

3. ENVIRONMENT CHARACTERISTIC

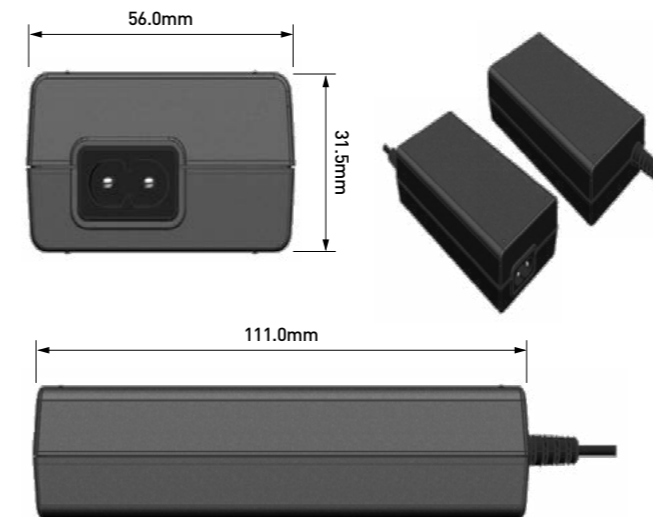
- Operating Temperature Range : $-20 \sim 50^{\circ}\text{C}$
- Storage Temperature Range : $-40^{\circ}\text{C} \sim 80^{\circ}\text{C}$

4. EXTERNAL CHARACTERISTICS

- Dimension(W*L*H) : 120mm \times 63mm \times 31mm
- Weight(Net) : 310g \pm 5%
- Case Color : BLACK

5. SAFETY : CB, CE

48W ADAPTER



1. INPUT CHARACTERISTICS

- Input Voltage Range : 90V ~ 264Vac
- Input Frequency Range : 47Hz ~ 63Hz
- Input Current : $\leq 1.0\text{Arms}$
- No Load Operation : 0.1W Max 230V/60Hz
- Efficiency(normal) : 88.06%

2. OUTPUT CHARACTERISTICS

- Output Watt : 48W
- Output Voltage : 19V
- Load Range : Typical 2.53A
- Regulation(V) : 18.05V ~ 19.95V

3. ENVIRONMENT CHARACTERISTIC

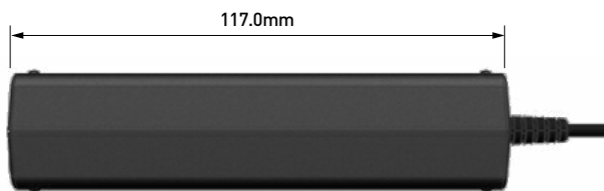
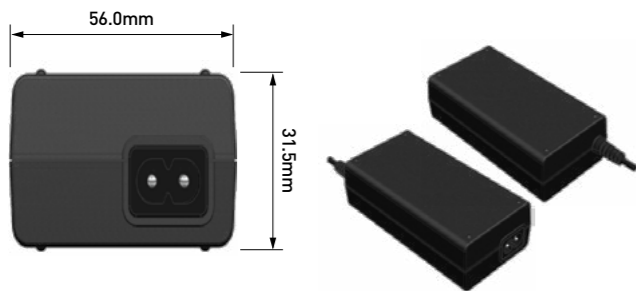
- Operating Temperature Range : $-20^{\circ}\text{C} \sim 40^{\circ}\text{C}$
- Storage Temperature Range : $-40^{\circ}\text{C} \sim 80^{\circ}\text{C}$

4. EXTERNAL CHARACTERISTICS

- Dimension(W*L*H) : 56mm \times 111mm \times 30mm
- Weight(Net) : 228g \pm 5%
- Case Color : BLACK

5. SAFETY : cULus, BSMI, CU_Mark, CB, SAFETY(Australia), GOST(Ukraine), KC, SASO, Croatia, CCC(China), NOM, PSE, PSB, Argentina-S mark, TUV-GS, EUP, NRCAN, SAFETY(Australia), Serbia, SIRIM

36W ADAPTER



1. INPUT CHARACTERISTICS

- Input Voltage Range : 100V ~ 130Vac
- Input Frequency Range : 47Hz ~ 63Hz
- Input Current : $\leq 1.5\text{Arms}$
- No Load Operation : 0.27W Max 115V/50Hz
- Efficiency(normal) : 87.7%

2. OUTPUT CHARACTERISTICS

- Output Watt : 36W
- Output Voltage : 12V
- Load Range : Typical 3.0A
- Regulation(V) : 11.64V ~ 12.36V

3. ENVIRONMENT CHARACTERISTIC

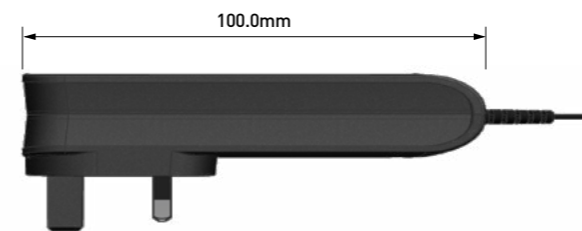
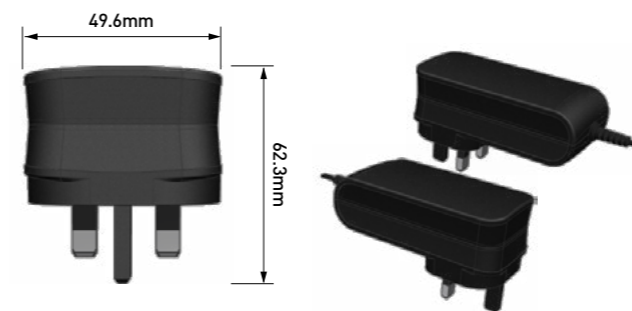
- Operating Temperature Range : $-20^{\circ}\text{C} \sim 50^{\circ}\text{C}$
- Storage Temperature Range : $-40^{\circ}\text{C} \sim 80^{\circ}\text{C}$

4. EXTERNAL CHARACTERISTICS

- Dimension(W*L*H) : 60mm × 17mm × 31.5mm
- Weight(Net) : 275g \pm 5%
- Case Color : BLACK

5. SAFETY : FCC, NRCAN, CULUS

12W ADAPTER



1. INPUT CHARACTERISTICS

- Input Voltage Range : 180V ~ 264Vac
- Input Frequency Range : 45Hz ~ 66Hz
- Input Current : $\leq 0.8\text{Arms}$
- No Load Operation : 0.25W Max 230V/60Hz
- Efficiency(normal) : 83.49%

2. OUTPUT CHARACTERISTICS

- Output Watt : 30W
- Output Voltage : 12V
- Load Range : Typical 2.5A
- Regulation(V) : 11.4V ~ 12.6V

3. ENVIRONMENT CHARACTERISTIC

- Operating Temperature Range : $0^{\circ}\text{C} \sim 45^{\circ}\text{C}$
- Storage Temperature Range : $-40^{\circ}\text{C} \sim 85^{\circ}\text{C}$

4. EXTERNAL CHARACTERISTICS

- Dimension(W*L*H) : 48.9mm × 100mm × 33mm
- Weight(Net) : 170.4g \pm 5%
- Case Color : BLACK

5. SAFETY : CB, CE