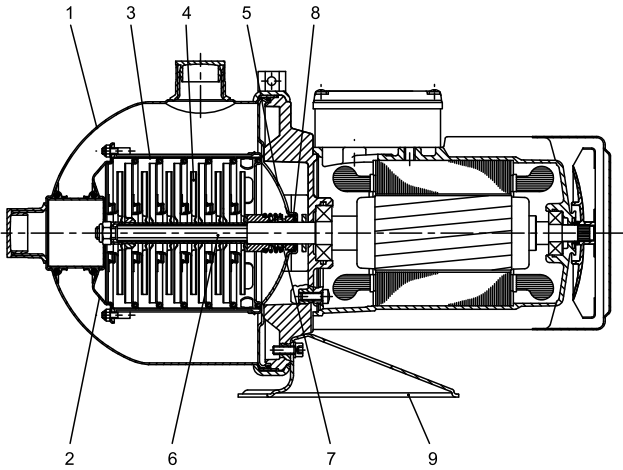


# HBI 스텐싱형가압펌프

## Horizontal Multistage Turbin Pump

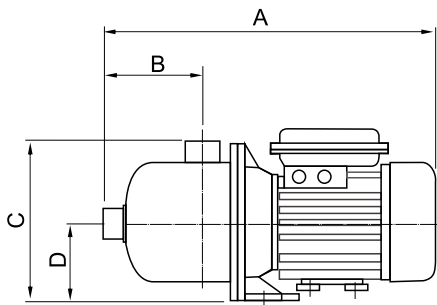


- 직결 원심형 양수, 순환 및 가압펌프
- 접촉부 전체 스테인레스 재질, M/S
- 저양정, 소형 부스터펌프에 적용
- 삼상 또는 단상적용



### Materials

No	Description	Materials	
		HBI	HBN
1	Pump Casing	SS304	Ss316
2	Suction inter-connector	SS304	SS316
3	Chamber	SS304	SS316
4	Impeller	SS304	SS316
5	Cover Plate	SS304	SS316
6	Shaft	SS431	SS316
7	Mechanical Seal	Silicon Carbide/Carbon	Silicon Carbide/SIC
8	O-Ring	EPDM OR Viton	EPDM OR Viton
9	Baseplate	Steel	Steel



Unit:mm

MODEL	동력(kW)	펌프구경(Pump Dia.)		Outline Drawing				Weight	
		흡입(Suc.)	토출(Dis.)	A		B	C		D
				1φ	3φ				
HBI 2-30	0.35	25	25	403	403	140	243	118	9.8
HBI 2-40	0.55			403	403	140	243	118	10.3
HBI 2-50	0.75			441	441	140	243	118	11.7
HBI 2-60	0.75			441	441	140	243	118	12.0
HBI 4-20	0.55	32	32	441	403	140	243	118	9.5
HBI 4-30	0.75			441	403	140	243	118	10.1
HBI 4-40	1.1			441	441	140	243	118	11.5
HBI 4-50	1.1			441	441	140	243	118	12.8
HBI 8-15	1.1	40	40	514	441	145	453	121	13.2
HBI 8-20	1.5			514	493	145	453	121	21.6
HBI 12-10	1.1	40	40	514	441	145	453	121	12.6
HBI 12-15	2.2			-	493	145	453	121	22.7

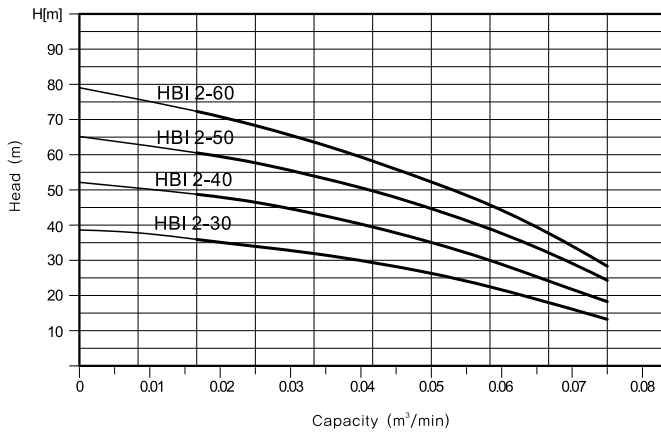




# HBI 스텐링형가압펌프

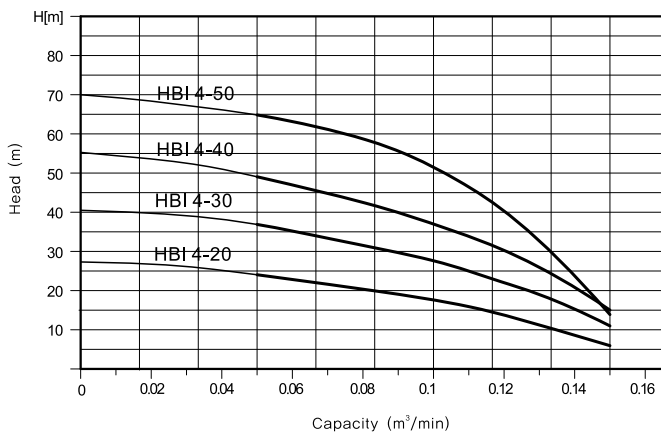
## Horizontal Multistage Turbin Pump

### HBI 2



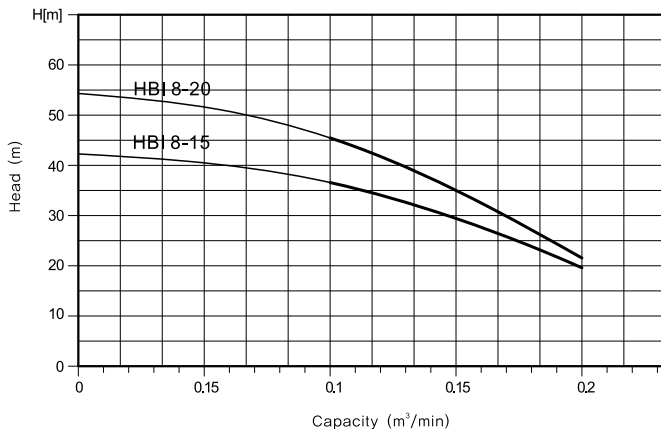
MODEL	동력(kW)	펌프구경(Pump Dia.)	
		흡입(Suc.)	토출(Dis.)
HBI 2-30	0.35	25	25
HBI 2-40	0.55		
HBI 2-50	0.75		
HBI 2-60	0.75		

### HBI 4



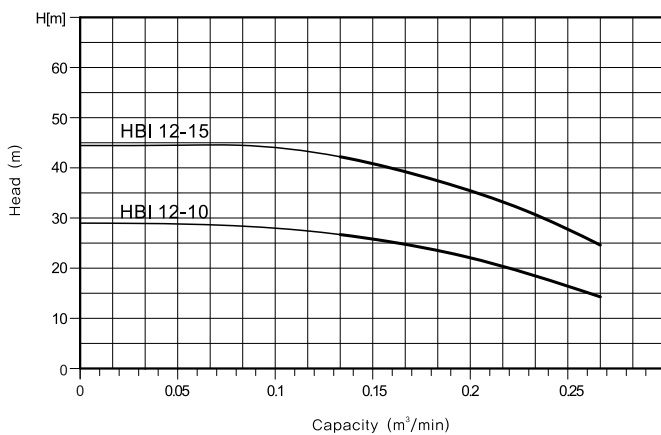
MODEL	동력(kW)	펌프구경(Pump Dia.)	
		흡입(Suc.)	토출(Dis.)
HBI 4-20	0.55	32	32
HBI 4-30	0.75		
HBI 4-40	1.1		
HBI 4-50	1.1		

### HBI 8



MODEL	동력(kW)	펌프구경(Pump Dia.)	
		흡입(Suc.)	토출(Dis.)
HBI 8-15	1.1	40	40
HBI 8-20	1.5		

### HBI 12



MODEL	동력(kW)	펌프구경(Pump Dia.)	
		흡입(Suc.)	토출(Dis.)
HBI 12-10	1.1	40	40
HBI 12-15	2.2		