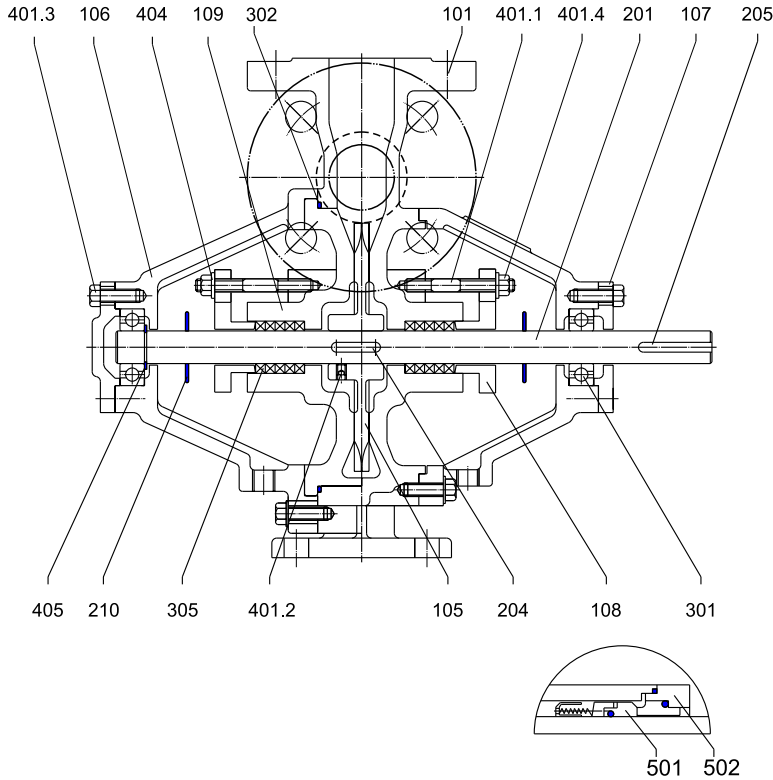


MODEL	흡입 구경 Suc.	토출 구경 Dis.	동 력 kW	DWP 외형치수 (Outline Dimensions)																PUMP 중 량 (kg)	
				A	C	f	E	L1	L2	L3	a	H	D	h	H1	B	B1	B2	K		F
DWP 25	25	25	1.5	635	328	190	144	500	70	360	60	320	175	75	175	250	215	40	120	M16	21
			2.2	693	356	190	144	520	70	380	60	332	175	75	187	300	265	40	120	M16	21
DWP 40	40	40	3.7	764	382	214	165	580	100	380	72	380	232	75	203	300	265	40	135	M16	31
			5.5	826	444	214	165	660	120	420	72	384	232	75	207	330	295	40	135	M16	31
DWP 50	50	50	7.5	981	482	274	222	730	120	490	85	399	215	75	207	330	295	40	170	M16	51
			11	1092	593	274	222	860	120	620	85	452	215	100	260	390	345	50	170	M16	51
DWP 80	80	80	11	1100	593	279	225	880	130	620	93	476	251	100	260	390	340	50	190	M16	70
			15	1144	637	279	225	880	130	620	93	476	251	100	260	390	340	50	190	M16	70
			18.5	1154	647	279	225	880	130	620	90	496	251	100	280	420	376	50	190	M16	70



구 분	케이싱 (Casing)	임펠러 (Impeller)	주축 (Shaft)	축봉장치 (Sealing)
기본재질 (Standard)	GC200	BC6	SM45C	Gland Packing
옵션재질 (Option)	SSC13, SSC14	SSC13, SSC14	STS304, STS316	Mechanical Seal



Item No	Part Name	Material
101	Casing	GC200
105	Impeller	BC6
106	Bearing Housing	GC200
107	Bearing Cover	GC200
108	Packing Gland	GC200
109	Packing Box	GC200
201	Shaft	SM45C
204	Impeller Key	SM45C
205	Coupling Key	SM45C
210	Deflector	NBR
301	Ball Bearing	STB
302	Casing O-Ring	NBR
305	Gland Packing	GREASE
401.1	Stud Bolt	SS400
401.2	Set Screw	SS400
401.3	Hexagon Bolt	SS400
401.4	Hexagon Nut	SS400
404	Washer	SS400
405	Stop Ring	SK5M
501	M/S	Option
502	M/S Cover	GC200

