

# HF-525Plus

General Purpose Radiographic System

# HF-525Plus

General Purpose Radiographic System



ECORAY

### Tube Stand

Saving the cost and installation time designed by freestanding (Floor mounted). Accommodates facilities where can't support a ceiling mounted system. Wide range of travels covering lateral and other difficult positions. Electromagnetic locks secure at any travel. Effortless, unforced motions by counterbalanced.



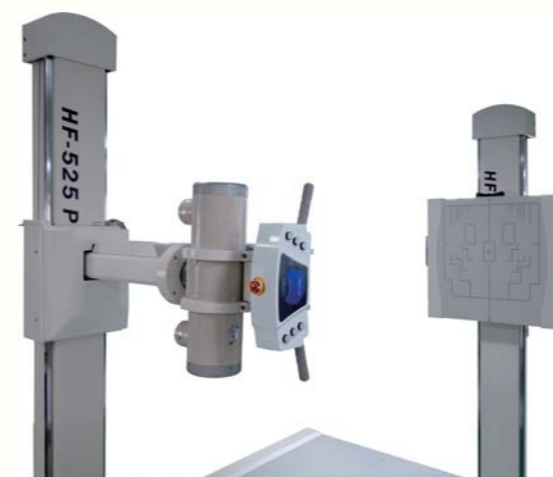
### 4 Way Floating Table

Smooth and parallel four-way table movement for easy patient positioning. The robust table with heavy duty structure, rated at 200Kgs patient load. Electromagnetic locks by optical sensor for longitudinal and transverse travel. Cassette flexibility (5" x 7" to 17" x 17") with durable bucky tray.



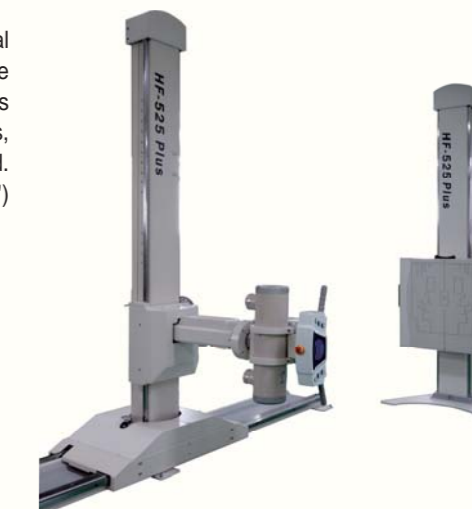
### Handle Bar

Simple and functional design, both sides of the soft-touch handgrip with fingertip controls. Fast and easy access to multi-function lock release switches for adjustment of longitudinal, vertical and tube rotation. Angle indicator with measuring tape for SID (Option).



### Wall Bucky Stand

Wide vertical-travel range with minimal focal spot to floor distance for comfortable standing position. Electromagnetic locks secure at any vertical travel. Effortless, unforced motions by counterbalanced. Cassette flexibility (5" x 7" to 17" x 17") with durable bucky tray.





High Frequency Generator for High Quality Imaging...

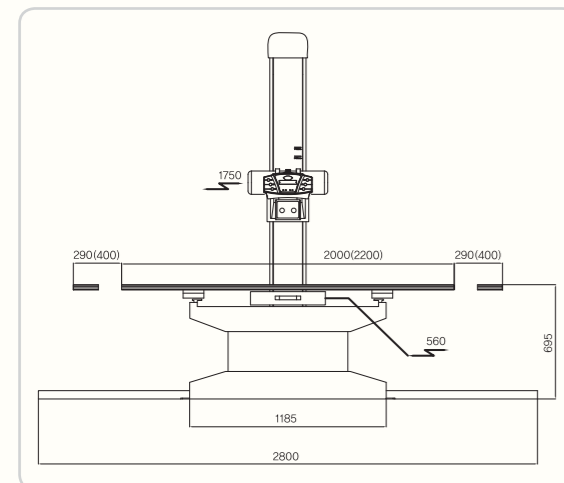
TRUST BEGINS WITH ECORAY

### HF-525plus Technical Specifications

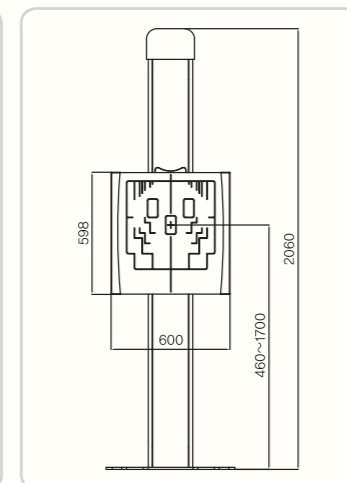
Category / Range	32kW	40kW	50kW	65kW	80kW	
Generator	High Frequency Inverter type					
	Type	400mA/125kV	500mA/125kV	630mA/150kV	800mA/150kV	1,000mA/150kV
	Max mA/kV	400mA @80kV	500mA @80kV	630mA @75kV	800mA @62kV	1,000mA @80kV
	Max rating	400mA @80kV	500mA @80kV	630mA @75kV	800mA @62kV	1,000mA @80kV
	mAs range	0.1 ~ 400mAs	0.1 ~ 500mAs	0.1 ~ 630mAs	0.1 ~ 800mAs	0.1 ~ 1,000mAs
	Exposure Time	0.001 ~ 6 sec (81 steps)				
	APR	288		1290		
	AEC	3-field ionization chamber(s) with AEC board (optional)				
	OP console	LED type (standard) / LCD or Touch Screen console (optional)				
	Line voltage & phase	220VAC 50/60Hz single phase		380-400VAC 50/60Hz three phase		
Anode heat storage	140kHu (standard) / 300kHu (optional)		300kHu (standard) / 400kHu (optional)			
Tube	Focal spots (dual)	1.0/2.0mm (0.6/1.2mm optional)		0.6/1.2mm		
	Max mA/kV	500mA/125kV		1,000mA/150kV (with high speed rotor function)		
	Target angle	16° (12°)		12°		
	Collimator	Manual type with electric timer				
Tube Stand	Longitudinal travel	175cm				
	Transverse travel	26cm				
	Vertical travel	From 63 to 187cm (from floor)				
Bucky Table	Type	Wide 4 way floating top (standard)				
	Longitudinal travel	±29cm				
	Transverse travel	±14cm				
	Max loading	200kg				
	Cassette tray	Max. 17 * 17 inch accessible				
Wall bucky stand	Type	Top down movement				
	Grid	Reciprocating grid (10:1 standard)				
	Vertical travel	From 46 to 170cm (from floor)				
Options	AEC	3-field ionization chamber with AEC control board (16 steps density adjustment)				
	High speed rotor	Available from 800mA output				
	PSU	Power storage unit with battery bank / Capacitor bank		-		
	Ceiling suspension	Ceiling suspension for tube with 4 part telescopic column				
	Elevation table	Up/down motorized-elevation (4 way floating included)				
	DAP	Dose Area Product with chamber				

\* Specifications are subject to change.  
 \* The dimension & weight information will be found in the Product Data document that includes all other detailed specifications.  
 \* The combinations of system configuration like tube, HFG and other optional items can be determined by customers.

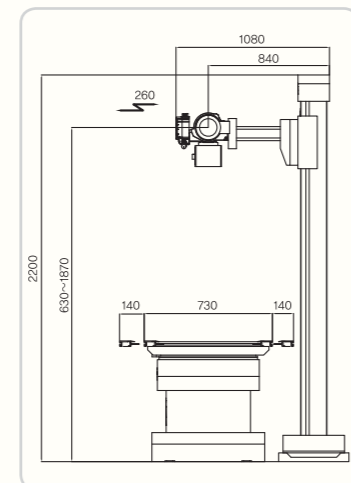
#### Front view Dimension



#### Wall Bucky Stand Dimension



#### Side view Dimension



www.ecoray.kr

## High Frequency Generators

### SPECIFICATIONS

Power	32kW	40kW	50kW	65kW	80kW	
kV range	40-125kV (±3%)	40-125kV (±3%)	40-150kV (±3%)	40-150kV (±3%)	40-150kV (±3%)	
mA range	10, 25, 32, 40, 50, 63, 80, 100, 125, 160, 200, 250, 320, 400	10, 25, 32, 40, 50, 63, 80, 100, 125, 160, 200, 250, 320, 400, 500	10, 25, 32, 40, 50, 63, 80, 100, 125, 160, 200, 250, 320, 400, 400, 500, 630	10, 25, 32, 40, 50, 63, 80, 100, 125, 160, 200, 250, 320, 400, 400, 500, 630, 800	10, 11, 12.5, 14, 16, 20, 22, 25, 28, 32, 36, 40, 45, 50, 56, 63, 71, 80, 90, 100, 110, 125, 140, 160, 180, 200, 220, 250, 280, 320, 360, 400, 450, 500, 630, 710, 800	10, 11, 12.5, 14, 16, 20, 22, 25, 28, 32, 36, 40, 45, 50, 56, 63, 71, 80, 90, 100, 110, 125, 140, 160, 180, 200, 220, 250, 280, 320, 360, 400, 450, 500, 630, 710, 800, 900, 1000
mAs range	±5%	±5%	±5%	±5%	±5%	
mAs range	0.1 ~ 400mAs	0.1 ~ 500mAs	0.1 ~ 630mAs	0.1 ~ 800mAs	0.1 ~ 1,000mAs	
Power output ratings at 0.1 sec	400mA @ 80kV 300mA @ 100kV 200mA @ 125kV	500mA @ 80kV 300mA @ 125kV	630mA @ 75kV 500mA @ 100kV 300mA @ 150kV	800mA @ 62kV 630mA @ 75kV 500mA @ 100kV 300mA @ 150kV	800mA @ 81kV 630mA @ 100kV 400mA @ 150kV	1,000mA @ 80kV 800mA @ 100kV 500mA @ 150kV
Power Supply Unit (PSU)	Battery Type / Capacitor Type (Optional)		-			
High Voltage Ripple(TYP)	<1kV@100kV					
Frequency	40kHz				Max. 300kHz	
Automatic Line compensation	±15%		±10%			
Anatomical Programming	288 APR (Standard)			1,290 APR		

### INTERNAL APPEARANCE



## Ceiling Suspended Tube Support

### Ceiling Suspended Tube Stand

Wide range of longitudinal and transverse travel, column rotation, tube angulation and trunnion rotation supports thorough coverage during lateral and other difficult positions. Four-part telescopic column with integrated operator console. Effortless, unforced motions with auto counter balance. Available in different versions for a full range of transverse movement.



- Rail Size : Upper rail : 4,000mm / Lower rail : 3,000mm
- Longitudinal Travel : Approx. 2,000mm or more (depends on the ceiling rail length)
- Transverse Travel : Approx. 3,000mm or more (depends on the ceiling rail length)
- Vertical Tube Travel : Approx. 1,500mm (485 ~ 1,350mm from the Floor to Focal Spot)
- X-ray Tube Rotation : +/- 180° (detents at +90° ~ -90°)
- Tube Stand Column Rotation : +/- 180° (detents at +90° ~ -90°)

## Elevating Table

### 6 Way Table

Elevating table having a vertical motorized movement to help elderly, handicapped, or pediatric patients more comfortably. The robust table with heavy duty structure by durable actuators, rated at 230Kgs patient load.



- Dimension of Tabletop : 2000-2200mm x 830mm x 546mm
- Table Top Material : Melamine Laminated structure / Carbon Fiber [ Option ]
- Table Top-to-Film Distance : Approx. 78mm
- Table Top AL Equivalence : <0.8mm Al at 100kVp
- Table Top Weight Limit : 250kg
- Longitudinal Travel : Approx. ±290mm
- Transverse Travel : Approx. ±140mm
- Vertical Travel : Approx. 350mm (546 ~ 886mm)
- Buck Travel : Approx. ±220mm