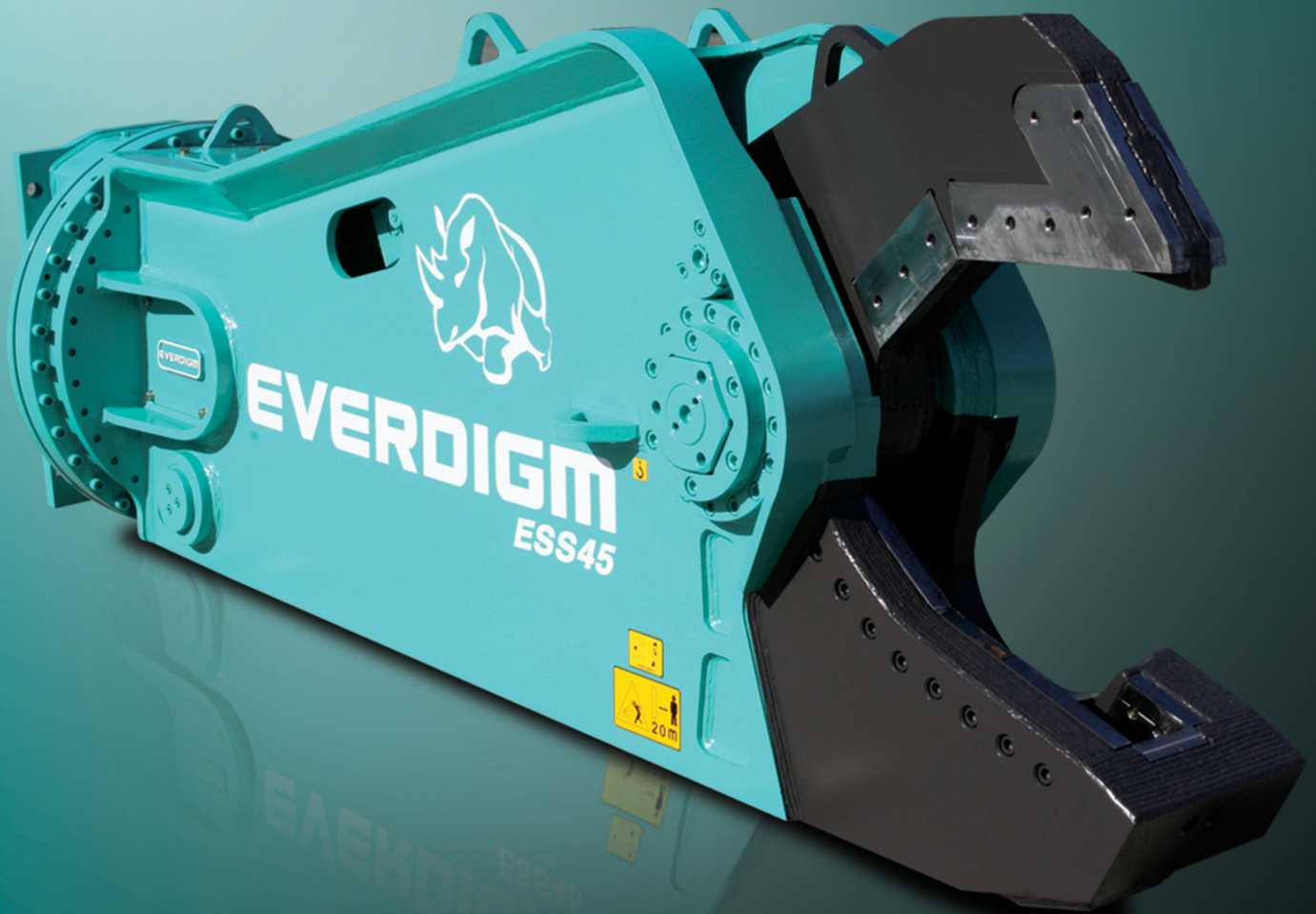


EVERDIGM Attachment

Shear



Tools that make people move

Hydraulic Shear Series
Turning your job into more value!

Features and benefits

Produced with increased power and durability by state of the art technology, everdigm shear has been designed for cutting work

A large diameter rotation bearing utilizes 2 rows of ball bearings giving maximum durability

Use of Hardox 400 material makes it durable

Bolt-on special material wearing tip

The large bore hydraulic cylinder combined with our exclusive speed / regeneration valve provides Superior cutting force and cycle time

Top cover makes cylinder and speed up valve maintenance easier

Twin motor with relief valve for motor protection

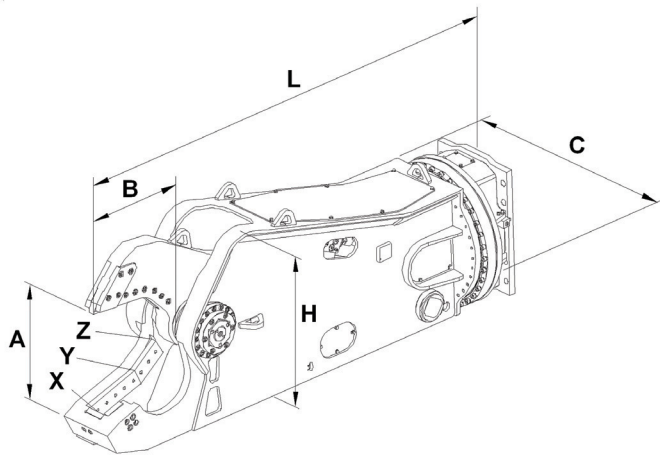
Guide slide, puck system reduces Jaw stress and helps to eliminate jamming

Single greasing point for main pin & cylinder pin .

Main blade can be turned 2 times

Offset jaw apex for optimum shear power

Blade clearance adjuster for easy & simple maintenance, and it keeps the working performance optimally



Caractéristiques Techniques

Item	Unit	ESS30	ESS45
Operating Weight	kg	3,200	4,586
Overall Length (L)	mm	3,099	3,424
Overall Height (H)	mm	1,250	1,289
Overall Width (C)	mm	650	987
Max. Jaw Opening (A)	mm	581	706
Max. Jaw Depth (B)	mm	555	626
Max. Force at...	tonnes		
point X (Outer Tip)		127	160
point Y		234	311
point Z		460	626
Oil Flow	lpm	200 ~ 300	280 ~ 360
Max. Operating Pressure	bar	350	350
Jaw Cycle Time (at Q _{normal})		(à 250 l/min)	(à 250 l/min)
Opening	sec	3.5	2.3
Closing	sec	3.8 - 7.3	2.6 - 4.8
1 Cycle	sec	7.3 - 10.8	4.9 - 7.1
Max. Oil Flow for Rotation	lpm	24	24
Max. Pressure for Rotation	bar	140	140
Max. Rotation Speed	rpm	15	15
Rotating Angle		360° en continu	360° en continu
Applicable Carrier Weight	2nd	tonnes	18 - 25
	3rd	tonnes	28 - 38
			40 - 50

※Spécifications susceptibles de changements sans avis préalable.

Head Office & Factory

332-3, Janggwan-ri, Jincheon-eub, Chungcheongbuk-do, Korea
Tel_+82-43-530-3300 Fax_+82-43-530-3429

Sales & Marketing

Room #1203, Woolim Lion's Valley 2, 680, Gasan-Dong, Geumcheon-Gu, Seoul, Korea
Tel_+82-2-801-0800 Fax_+82-2-801-0899



©EVERDIGM Corp. Printed in Korea