

A red Everdigm articulated water tower is shown in action, spraying a large plume of water onto a building. The tower's arm is extended high into the air, and the water is being directed towards the upper part of the structure. The building has a corrugated metal roof and a steel frame. The background is a clear sky with some light clouds. The Everdigm logo is visible on the side of the tower's arm.

**EVERDIGM
ALL ARTICULATED
WATER TOWER SERIES**

Maximize your safety,
Minimize your risk !

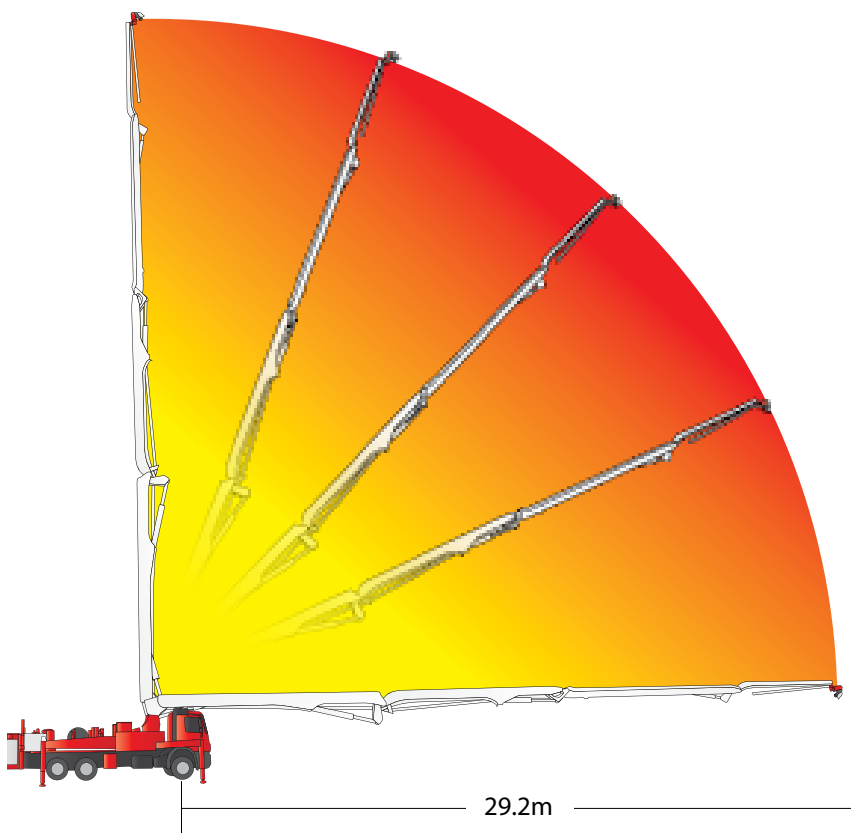
EVERDIGM

Challenging the world longest shooting distance

EVERDIGM All articulated water tower go to fire scenes where conventional water tower reach their limits

Maximum horizontal outreach for all articulated water tower boom is similar to its maximum working height. All articulated boom can reach much further distanced target comparing to any other conventional telescopic water tower. Its special outreach makes a crucial difference in suppressing fire.

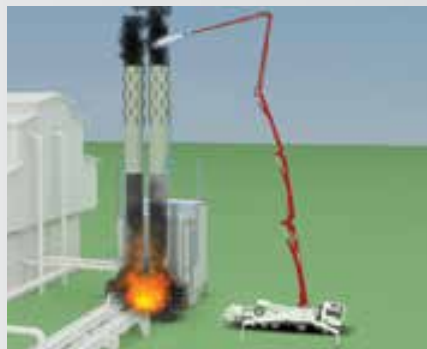
33m All articulated water tower



35m Conventional telescopic water tower



Residential Area



Industrial Area

Having unique boom structure, EVERDIGM WATER TOWER can be used for various applications such as industrial areas, high rise buildings, high populated residential areas, etc.

Flexible articulating boom of EVERDIGM WATER TOWER is able to bend over any obstacles and reaches inaccessible object that other water tower is not easy to approach.

Features

Several safety and electric equipments applied

- Outrigger auto-leveling
- Automatic boom decelerate and stop function
- Protect overturn by calculating outrigger load
- Boom automatic stop by detecting obstacles
- Spray nozzles for self-defense

Computerized Boom Control System

PLC(Programmable Logic Controller) and CAN(Controller Area Network) system are utilized for convenient boom operation.

Remote control system

All of boom operation is controlled by a cable remote controller and a wireless remote controller depending on user's convenience. Cable length of the remote controller is approximately 40 meters. Furthermore, the boom can be operated by the wireless remote controller within 100 meters if there is no wall or obstacle to block or disturb the frequency between the boom and controller.

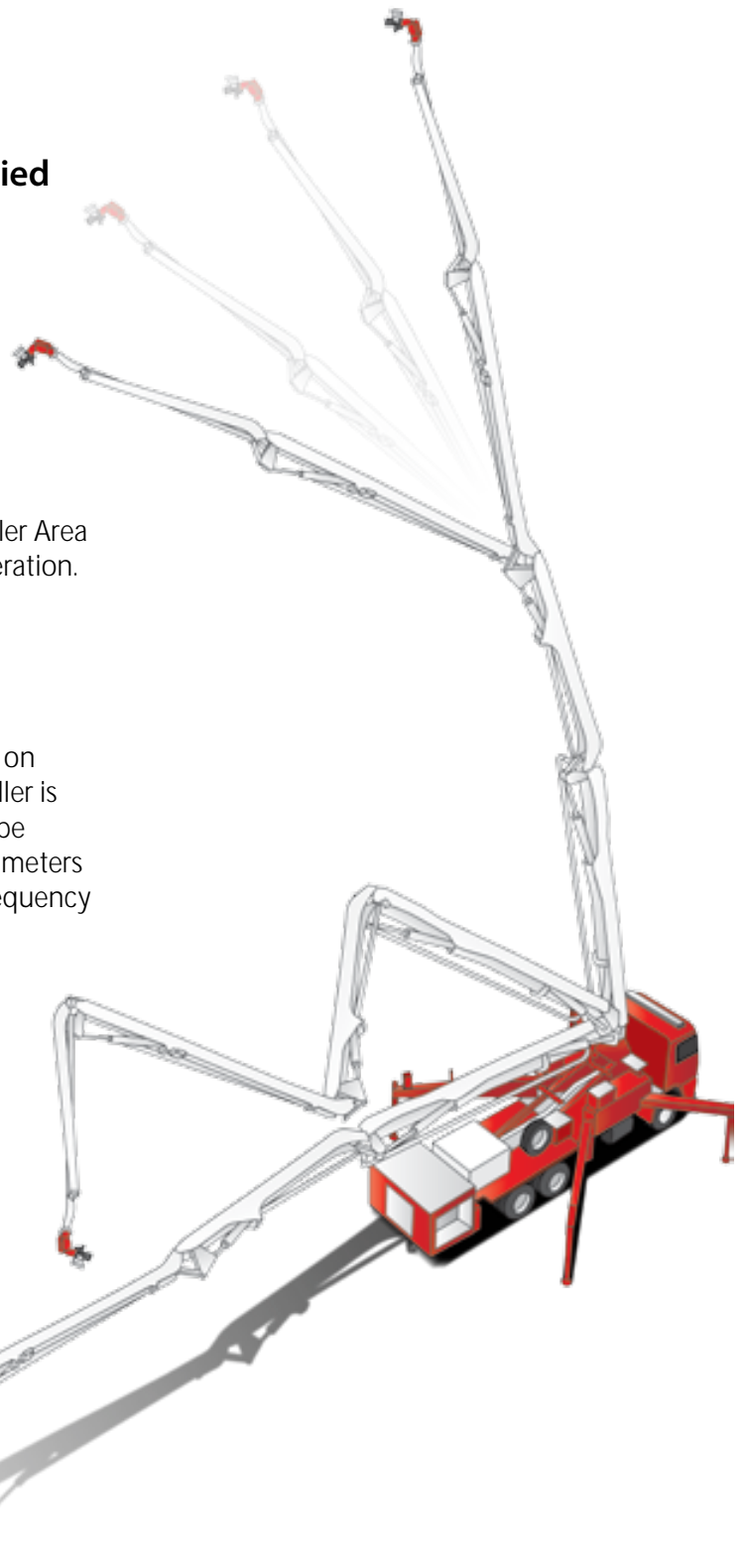
Even though the end of boom is far away from the operator, the operator can operate the boom and see the target point to put out the fire at the screen through the camera installed at the end of the boom.

Emergency system

Standby engine provides an independent hydraulic power back up in case of failure of vehicle engine.

Various Fire Fighting options

All articulated water tower can be customized as per customer's requirements installing water tank, foam tank, foam system, fire pump, high voltage detector, image screen for remote controller, thermal camera and etc.



Water Pump /
Foam system



High Voltage Detector



Thermal Imaging Camera



Standby Engine



Boom Remote Controller

EVERDIGM Water Tower



EWT33

- Max. working height : 32.6m
- Max. working outreach : Not Less than 29m
- Max. working reach below the ground level : Not Less than 17.0m
- Transport height : Less than 4,000mm
- Transport length : Less than 12,000mm
- Transport width : Less than 2,500mm
- Gross vehicle weight : Not less than 27,635kg



EWT55

- Max. working height : 55m
- Max. working outreach : Not Less than 50m
- Max. working reach below the ground level : Not Less than 35.5m
- Transport height : Less than 4,000mm
- Transport length : Approximately 14,000mm
- Transport width : Less than 2,500mm
- Gross vehicle weight : Not less than 40,000kg

* All specification can be customized as per clients' request.

Factory & Head Office

49, Buyeong-gil, Jincheon-eup, Jincheon-gun,
Chungcheongbuk-do, Korea
Tel : +82-43-530-3300 Fax : +82-43-530-3323

Sales & Marketing

Room # 1203, Woolim Lion's Valley II,
2 Gasan digital 1-ro, Geumcheon-gu, Seoul, Korea
Tel : +82-2-801-0841 Fax : +82-2-801-0899
andrew@everdigm.com ashley@everdigm.com