

Single Channel Gas Detector Receiver

GTC-520 / 540 / 550 Series

Feature

- ▷ Simple structure, refined design and low cost of ownership
- ▷ Connectable with various types of gas detectors
- ▷ Easy installation with a wall mount type
- ▷ Gas concentration display with 3-digit, 4-digit, or Bar-graph (32 segment, 3-color LED)
- ▷ 3-color display according to alarm stages (Green, Yellow, Red)
- ▷ 3-stage alarm, 1-trouble LED display and relay contact output
- ▷ Easy configuration of monitoring system with RS-485 Modbus isolated serial data communication (Option)
- ▷ Programmable alarm setting (Level, Time delay)
- ▷ Peak hold
- ▷ Self diagnosis
- ▷ IP65 housing case for water-resistant and tight function

Special Application



GTC-540A



GTC-550



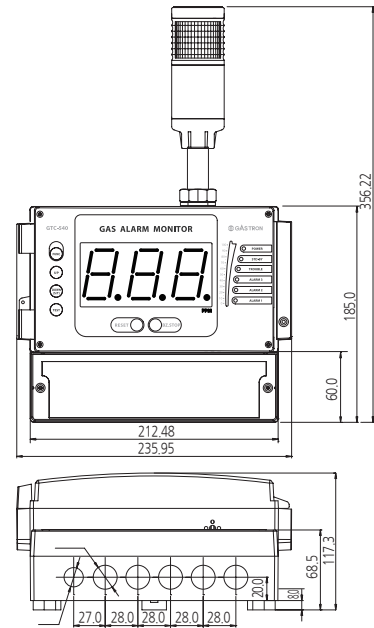
GTC-520A



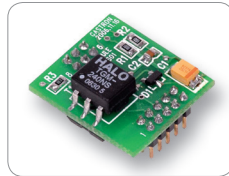
General



Dimension (Unit:mm)



Accessories



RS-485 Communication Module

Specification

※Specifications are subject to be changed without prior notice.

SINGLE-CHANNEL TYPE GAS DETECTOR RECEIVER GTC-540 SERIES			
Model	GTC-520	GTC-540	GTC-550
Operation display	6-LED(Power, 3-stage alarm, Trouble, Stand-by for maintenance)		
Measuring display	4-Digit 0.315" FND	3-Digit 1.8" FND	3-Digit 3" FND
Measuring range	Bar-Graph(32 Segment, 3-color LED) 1~999 (programmable) / %LEL, ppm, %vol		
Alarm display	Visual : 3-stage alarm, Trouble LED, Warning Light Audible : buzzer		
Alarm output signal	3-Stage Alarm, Trouble/ AC250V 3A relay contact (SPDT) Shut-off Valve control signal (DC 12V)		
Alarm level set	Programmable with in detection range		
Input signal	4-20mA DC (2-wire or 3-wire)		
Output signal	4-20mA DC Isolated RS-485 Communication Modbus (option)		
Reset signal	Reset switch and remote control		
Program set mode	Alarm value (1,2,3 alarm) Alarm time (instant & delay) 1~30min Alarm dead band Measuring value offset (SAD) Relay output on/off		
Operating temperature	-20°C ~ +60°C		
Operating humidity	5~99% RH(non-condensing)		
Operating power	Standard : AC90V~250V / 10W max 24V DC (Option) / 200mA max	Standard : AC90V~250V / 12W max 24V DC (Option) / 280mA max	Standard : AC90V~250V / 15W max 24V DC (Option) / 300mA max
Dimensions	135x105x81 (WxHxD)mm	235.6x185x117.3 (WxHxD)mm	280x389x153 (WxHxD)mm
Weight	580g	1kg	2kg
APPROVAL	CE		