

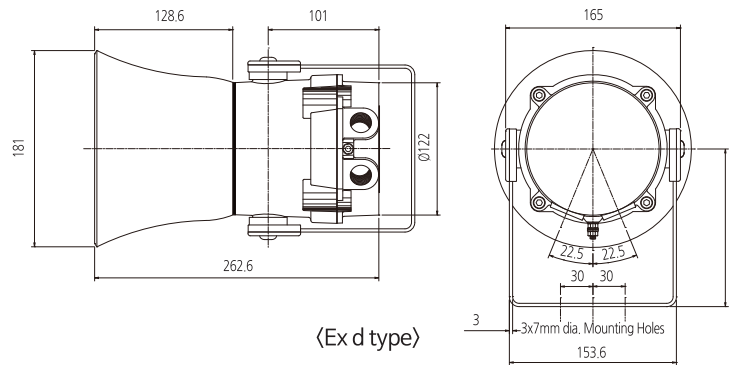
방폭형 사운드 - 유효범위 200M

BExS120 / BExDS120

제품의 특징

- ▷ 멀티 경광등 시스템의 자동 동기화
- ▷ 조정 가능한 스테인리스 스틸 'U' 브라켓
- ▷ IN&OUT 터미널 (Ex de 버전에만 적용)
- ▷ 프로그램 설정 가능:
 - 45개의 알람 톤
 - 원격으로 선택 가능한 4가지 스테이지
 - 스테이지에 상관없이 톤 설정 가능
 - 사용자 주파수 설정 가능

Dimension (Unit:mm)



Specification

Maximum output	121dB(A) @ 1 metre
Nominal output	117dB(A) @ 1m +/- 3dB - Tone 2
No. of tones	32 (UKOOA / PFEER compliant)
No. of stages	3
Volume control	Max. 117dB(A) / Min. 108dB(A) - Tone 2
Effective range	200m @ 1KHz
Voltages DC	12VDC; 24VDC; 48VDC
Voltages AC	115VAC; 230VAC
Stage switching	Negative or positive
Ingress protection	S120D : IP66/67, S120E : IP66
Housing material	Marine grade copper free LM6 Aluminium
Housing finish	Phosphated & powder coated finish : anti-corrosion
Colour	RAL3000 Red(others available on request)
BExS120 flare	High impact UL94 V0 & 5VA FR ABS (Red)
BExDS120 flare	Anti-Static High impact ABS (Black)
Cable entries	Dual M20 ISO(one stopping plug inc)
Terminals	0.5 to 4.0mm ² cables.
Line monitoring	Min. 500 Ohm 2w, or 3k3 Ohm 0.5w res. or diode within Exd enclosure (dc versions).
Weight	DC: 3.20kg / AC: 3.40kg

*SPL data +/-3dB(A). Measured at optimum voltage

Part codes

PART CODE	CLASSIFICATION
BExS120D**	<p>ATEX / IECEx II 2G Ex d IIB T4 Ta. -50°C to +70°C II 2G Ex d IIC T4 Ta. -50°C to +55°C</p> <p>GOST-R 1ExdIICT4 Ta. -50°C to +55°C</p>
BExS120E**	<p>ATEX / IECEx II 2G Ex de IIB T4 Ta. -50°C to +70°C II 2G Ex de IIC T4 Ta. -50°C to +55°C</p> <p>GOST-R 2ExdellCT4 Ta. -50°C to +55°C</p>
BExDS120D**	<p>ATEX / IECEx II 2G Ex d IIB T4 Ta. -50°C to +70°C II 2G Ex d IIC T4 Ta. -50°C to +55°C II 2D Ex tD A21 IP67 T115 based on a max. Ta. of 70°C</p> <p>GOST-R 1ExdIICT4 Ta. -50°C to +55°C T100°C DIP A21 TaT4</p>
BExS120E**	<p>ATEX / IECEx II 2G Ex de IIB T4 Ta. -50°C to +70°C II 2G Ex de IIC T4 Ta. -50°C to +55°C II 2D Ex tD A21 IP66 T115 based on a max. Ta. of 70°C</p> <p>GOST-R 2ExdellCT4 Ta. -50°C to +55°C T100°C DIP A21 Ta T4</p>

** = Voltage & lens colour reference:

Voltage options

12DC, 24DC, 48DC, 115AC, 230AC

Add 'P' to part number for Programmable version

Add 'M' to part number for MED approved version (24V dc only)

Current consumption

Version	Voltage (Current)
12V dc	±25% (850mA)
24V dc	±25% (800mA)
48V dc	±25% (420mA)
115V ac 50Hz/60Hz	±10% (180mA)
230V ac 50Hz/60Hz	±10% (90mA)