

매뉴얼 콜 포인트 - Break glass type

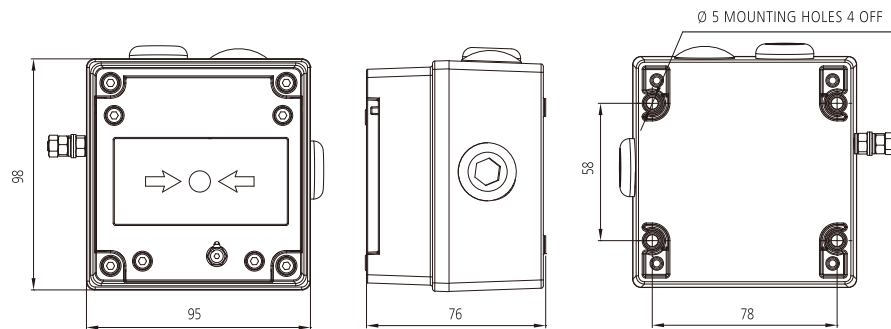
BExCP3A-BG / BExCP3B-BG

제품의 특징

- ▷ 특정 요구 사항에 따라 하우징 색상 변경 가능
- ▷ DIN 레일에 고정된 터미널 블록 : 8 x 2.5mm₂
- ▷ 스테인리스 스틸 리프트 덮개
- ▷ 메탈화된 폴리에스테르 'Duty' 라벨
- ▷ 라인 모니터링 적용 가능



Dimension (Unit:mm)



Specification

BExCP3A-BG	II 2G Ex e d IIC T6 Gb II 2D Ex t IIIIC T60°C Db IP66
BExCP3B-BG	II 2G Ex e d mb IIC T4 Gb II 2D Ex t IIIIC T70°C Db IP66
Ambient	Ta = -40°C to +55°C (+50°C for BExCP3B)
Ingress protection	IP66
Housing material	Marine grade copper free LM6 Aluminium
Housing finish	Phosphated & powder coated finish : anti-corrosion
Colour	RAL3000 Red (others available on request)
Cable entries	2 x M20 clearance top and 1 x M20 clearance side Back box can be rotated to give 2 x bottom and 1 x side entries
Stopping plugs	2 x Ex e nylon plugs as standard Brass and stainless steel plugs optional
Terminals	6 x 4.0mm ² cables

Versions

BExCP3A-PT	
Voltage	250Vac Max. / 50Vdc Max.
Switch rating	5.0A Max. / 1.0A Max.
Monitoring resistors	No
Terminals	6 x 4mm ²
Cable entries	2 x M20 Top/Bottom, 1 x M20 Left/Right
Weight	0.8 Kg
BExCP3B-PT	
Voltage	56V dc Max. Rating <50V: 1.0A, >50V: 0.75A
Switch rating	5.0A Max. / 1.0A Max.
Monitoring resistors	No
Terminals	6 x 4mm ² or 8 x 2.5mm ² DIN rail
Cable entries	2 x M20 Top/Bottom, 1 x M20 Left/Right
Weight	0.8 Kg
Part Codes	
Type	BExCP3A-BG / BExCP3B-BG
Terminals	ST: Standard / DR: DIN Rail
Lift Flap	NF: No flap (default) / LF: Lift flap
Duty Label	NL: No Label (default) / DL: Duty Label / Specify content when ordering
Colour	RD: Red / Contact sales for other colour options
Nominal voltage	48V / 24V / 12V / 6V / System Voltage only required on BExCP3B version
EOL Resistor	ExxxR: xxx Res. value e.g.: E470R (Only available on BExCP3B version)
Series resistor	SxxxR: xxx Res. value e.g.: S2K2R (Only available on BExCP3B version)

e.g. BEx-CP3A-BG-ST-LF-NL-RD

: BEx-CP3A Break glass call point with standard terminals, lift flap and no duty label. Red housing

e.g. BEx-CP3B-BG-DR-NF-NL-RD-24V-E470R

: BEx-CP3B Break glass call point with DIN rail terminals, no lift flap, no duty label, 24V supply voltage with a 470 Ohm end of line resistor. Red housing.