



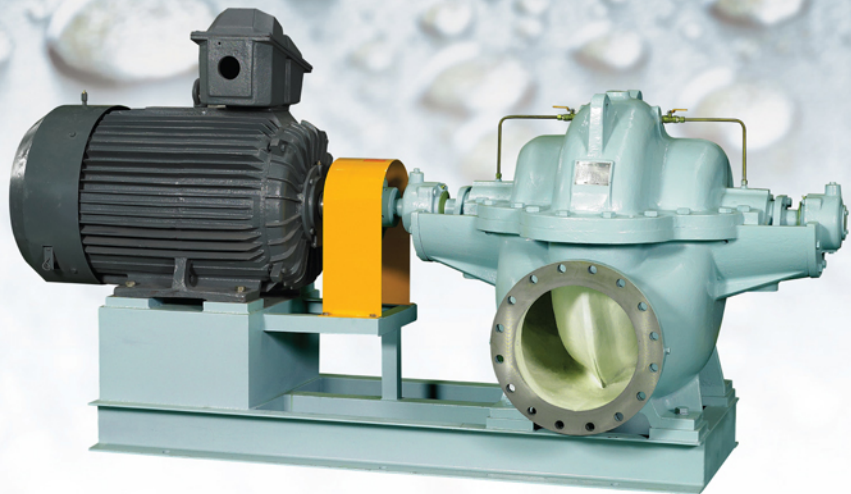
www.grtec.co.kr

A company dedicated to save environment with clean water management

GREEN TECH PUMP

G D V

양흡입 벌류트 펌프

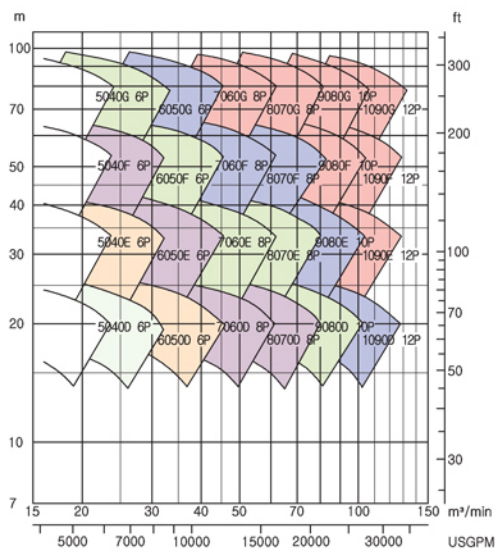
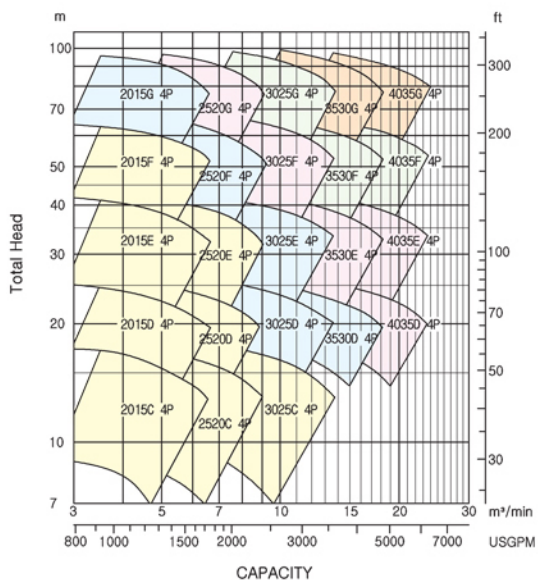


GREEN TECH Co., Ltd.
Pump & System Engineering

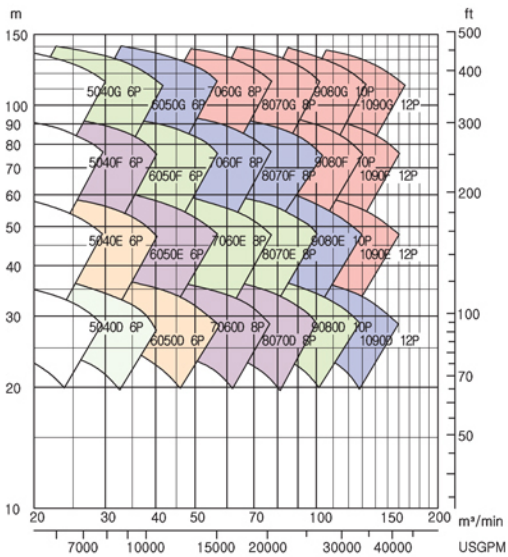
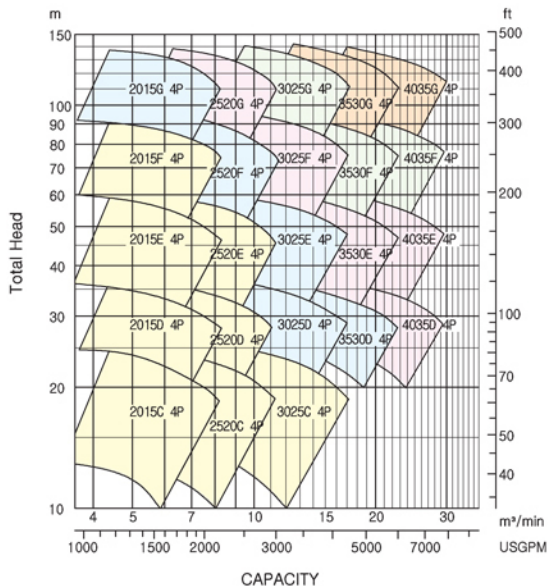


Selection Chart / 선정도

50Hz



60Hz



GDV

Model Name
(펌프 모델명)

35

Suction Bore
(흡입구경)
[350mm]

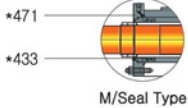
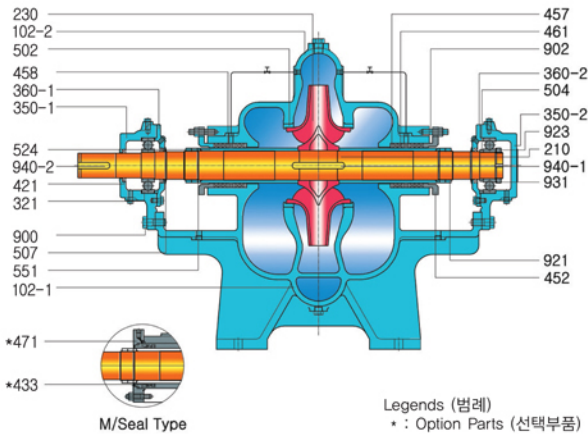
30

Discharge Bore
(토출구경)
[300mm]

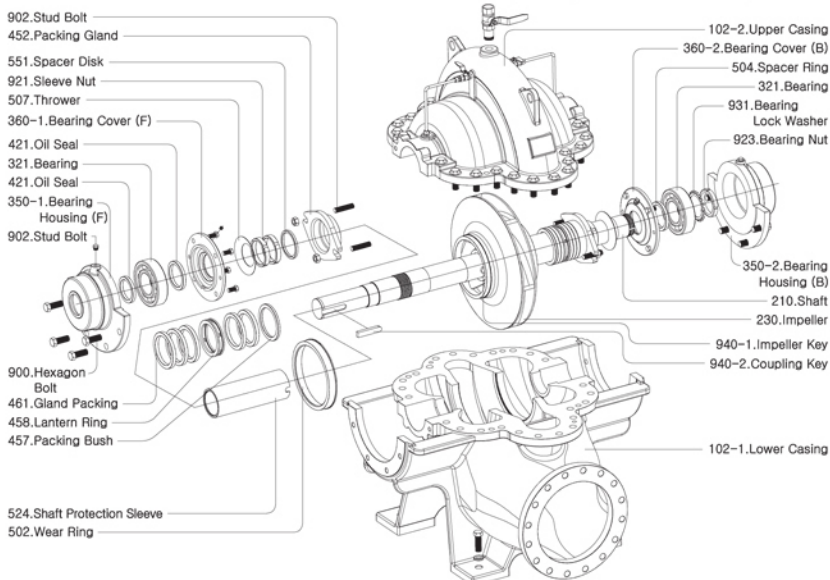
G

Total Head
(전양정)

Sectional Drawing / 조립 구조도

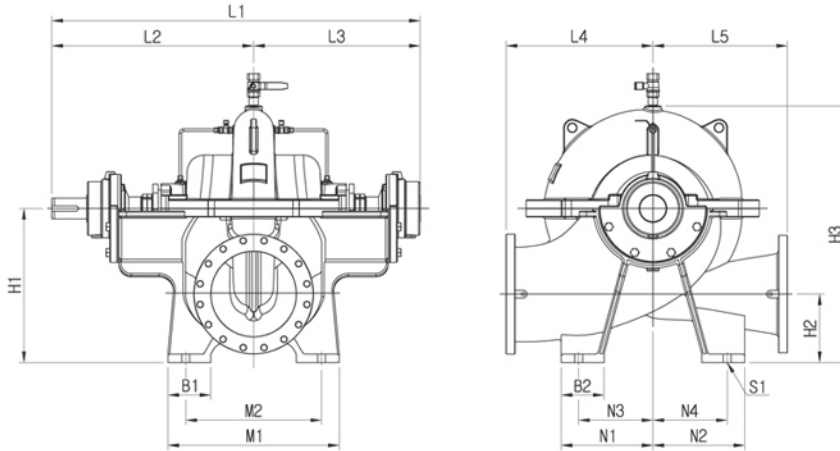


Part No. (품번)	Part Name (부품명)	Standard Material (표준재질)	
		ASTM	KS
102-1	Lower Casing	A48-CL30	GC200
102-2	Upper Casing	A48-CL30	GC200
210	Shaft	A108-1045	SM45C
230	Impeller	A48-CL30	GC200
321	Bearing	A295-52100	STB2
350-1	Bearing Housing (F)	A48-CL30	GC200
350-2	Bearing Housing (B)	A48-CL30	GC200
360-1	Bearing Cover (F)	A48-CL30	GC200
360-2	Bearing Cover (B)	A48-CL30	GC200
421	Oil Seal	NBR	NBR
*433	Mechanical Seal	SiC/Carbon	SiC/Carbon
452	Packing Gland	A48-CL30	GC200
457	Packing Bush	A276-304	STS304
458	Lantern Ring	A276-304	STS304
461	Gland Packing	TEFLON	TEFLON
*471	Mechanical Seal Cover	A276-304	STS304
502	Wear Ring	B584-C83600	CAC406
504	Spacer Ring	A108-1045	SM45C
507	Thrower	NBR	NBR
524	Shaft Protection Sleeve	A276-304	STS304
551	Spacer Disk	A276-304	STS304
900	Hexagon Bolt	A108-1045	SM45C
902	Stud Bolt	A276-304	STS304
921	Sleeve Nut	A276-304	STS304
923	Bearing Nut	A108-1045	SM45C
931	Bearing Lock Washer	A36	SS400
940-1	Key (Impeller)	A276-304	STS304
940-2	Key (Coupling)	A108-1045	SM45C





Outline Drawing / 외형 치수도



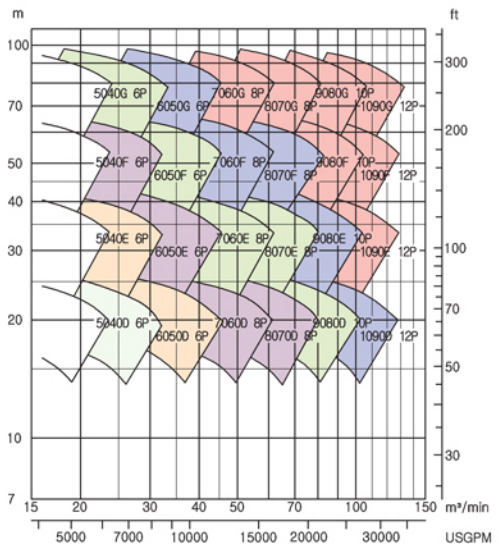
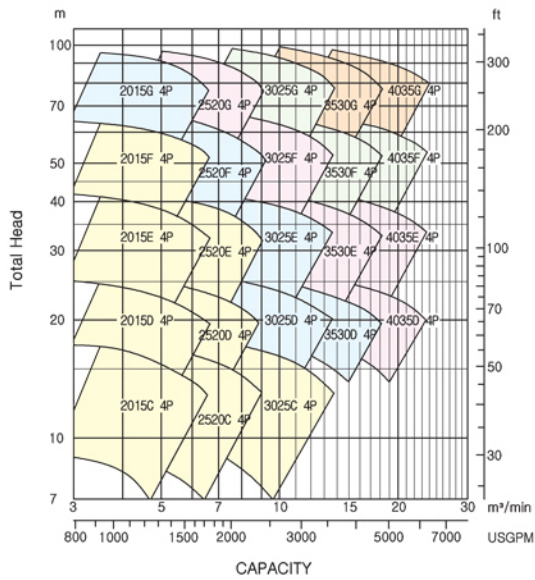
Model (형식)	Bore(구경)		L1	L2	L3	L4	L5	H1	H2	H3	M1	M2	N1	N2	N3	N4	B1	B2	S1
	Suc. (흡입)	Dis. (토출)																	
GDV 2015C	200	150	990	540	450	380	350	380	180	610	350	280	200	200	200	235	100	100	24
GDV 2015D	200	150	990	540	450	380	350	380	180	610	350	280	200	200	200	235	100	100	24
GDV 2015E	200	150	990	540	450	400	350	400	180	650	400	330	200	200	200	235	100	100	24
GDV 2015F	200	150	1040	565	475	420	380	435	180	720	450	350	200	200	200	235	100	100	24
GDV 2015G	200	150	1110	600	510	450	400	485	235	785	560	460	315	315	265	265	125	125	24
GDV 2520C	250	200	1040	565	475	420	380	435	215	680	480	400	300	300	250	250	125	125	24
GDV 2520D	250	200	990	540	450	420	380	435	215	680	450	350	300	300	250	250	125	125	24
GDV 2520E	250	200	990	540	450	420	380	450	215	710	450	350	300	300	250	250	125	125	24
GDV 2520F	250	200	1040	565	475	450	380	480	215	770	450	350	300	300	250	250	125	125	24
GDV 2520G	250	200	1080	595	485	480	380	510	215	830	450	350	300	300	250	250	125	125	24
GDV 3025C	300	250	1110	600	510	450	400	485	235	785	480	460	315	315	265	265	125	125	24
GDV 3025D	300	250	1070	580	490	450	400	485	235	760	480	460	315	315	265	265	125	125	24
GDV 3025E	300	250	1110	600	510	450	400	490	235	790	480	460	315	315	265	265	125	125	24
GDV 3025F	300	250	1150	630	520	500	400	515	235	845	560	460	315	315	265	265	125	125	28
GDV 3025G	300	250	1150	630	520	500	400	550	235	910	560	460	315	315	265	265	125	150	28
GDV 3530C	350	300	1210	650	560	500	450	530	260	870	600	480	380	330	320	270	150	150	28
GDV 3530D	350	300	1190	640	550	500	450	530	260	850	560	440	380	330	320	270	150	150	28
GDV 3530E	350	300	1230	670	560	500	450	550	260	890	560	440	380	330	320	270	150	150	28
GDV 3530F	350	300	1325	730	595	550	450	610	260	995	560	440	400	330	340	270	150	150	28
GDV 4035C	400	350	1430	760	670	600	500	650	295	1080	800	680	450	380	390	320	150	150	28
GDV 4035D	400	350	1330	710	620	550	450	610	295	980	700	580	400	330	340	270	150	150	28
GDV 4035E	400	350	1320	715	605	550	450	610	295	980	650	530	400	330	390	270	150	150	28
GDV 4035F	400	350	1400	770	630	600	450	630	295	1020	650	530	450	330	390	320	150	150	28
GDV 5040C	500	400	1490	800	690	670	500	750	350	1220	800	650	500	350	425	275	180	180	28
GDV 5040D	500	400	1570	860	710	670	550	750	350	1220	800	650	500	400	425	325	180	180	35
GDV 5040E	500	400	1780	980	800	750	550	815	350	1300	800	650	600	400	525	325	180	180	35
GDV 5040F	500	400	1780	980	800	750	600	850	350	1380	800	650	600	450	525	375	180	180	35
GDV 6050C	600	500	1880	1030	850	800	650	940	425	1350	1000	840	650	500	550	400	200	250	35
GDV 6050D	600	500	1880	1030	850	800	700	940	425	1375	1000	840	650	550	550	450	200	250	35
GDV 6050E	600	500	2220	1200	1020	900	750	1030	425	1520	1000	840	750	600	650	500	200	250	35
GDV 6050F	600	500	2520	1370	1150	950	800	1100	425	1665	1000	840	750	650	650	550	200	250	35
GDV 7060C	700	600	2280	1230	1050	900	750	1095	480	1605	1200	1000	750	600	630	480	250	300	42
GDV 7060D	700	600	2480	1330	1150	900	750	1095	480	1625	1200	1000	750	600	630	480	250	300	42
GDV 7060E	700	600	2580	1400	1180	1000	800	1200	480	1800	1200	1000	800	650	680	530	250	300	42
GDV 7060F	700	600	2640	1450	1190	1100	900	1280	480	1970	1200	1000	900	750	780	630	250	300	42

* Note : All dimensions (millimeters) / Contact us for specific dimensions.



Selection Chart / 선정도

50Hz



60Hz

