



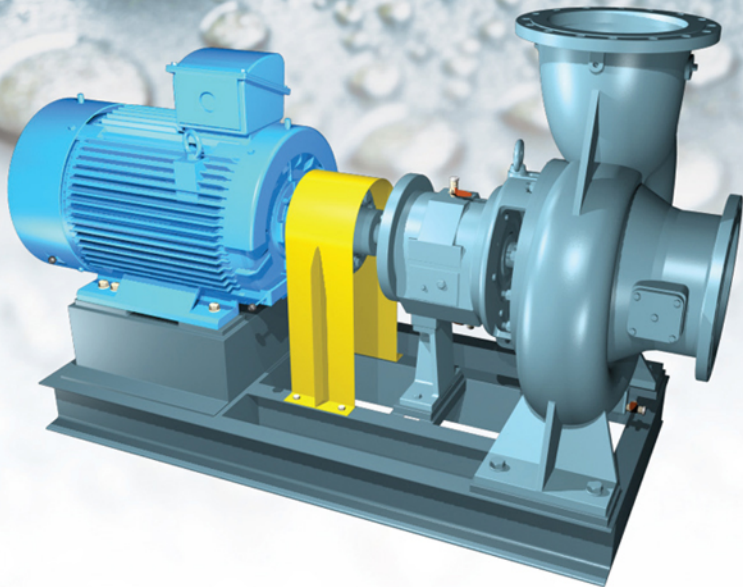
[www.grtec.co.kr](http://www.grtec.co.kr)

A company dedicated to save environment with clean water management

# GREEN TECH PUMP

# GCP

대용량 단단 벌류트 펌프



**GREEN TECH Co., Ltd.**  
Pump & System Engineering

# GCP



LARGE CAPACITY SINGLE SUCTION VOLUTE PUMP

## LARGE CAPACITY SINGLE SUCTION VOLUTE PUMP / 대용량 단단 벌류트 펌프

### Usages and Applications / 용도 및 적용분야

- For clear liquids—fresh water & seawater
- For general industrial & waterworks
- For household water supply & building water treatment
- For irrigation water & building water treatment
- For air conditioning & spray(sprinkler)
- For cooling or heating & circulation
- 많은 액체용—청수 및 해수
- 일반산업용 및 급수 시설용
- 가정용수 공급용 및 빌딩 수처리용
- 관개용수용 및 빌딩 수처리용
- 공기조화용 및 스프레이용(스프링클러용)
- 냉각 또는 가열 순환용

### Design & Structure Feature / 설계 및 구조적 특징

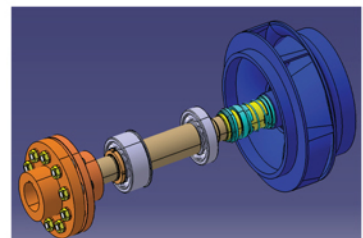
- 3 Dimensional design techniques are used for the ideal water flow in the impeller.
- Stuffing box adopts the KS B 7501(ISO 3069) in order to facilitate installation of Mechanical seal and its maintenance.
- Back pull-out allows easy and convenient maintenance.
- The central located discharge bore gives stability and balance of pump during operation.
- Highly optimized product designed with vibration and noise analysis.
- 임펠러 내의 이상적인 물의 흐름을 위해 3차원 설계기법을 사용하였습니다.
- Stuffing Box는 KS B 7501(ISO 3069)를 채택하여, Mechanical Seal의 장착이 쉽고 유지보수가 편리합니다.
- Back Pull-Out 구조는 쉽고 편리한 보수를 할 수 있습니다.
- 토출부가 중앙 상부에 위치하여, 배관하중에 대한 안정성과 운전시 균형이 유지됩니다.
- 진동, 소음 분석 설계를 통한 최적의 제품입니다.

### Standard Specification / 표준 사양

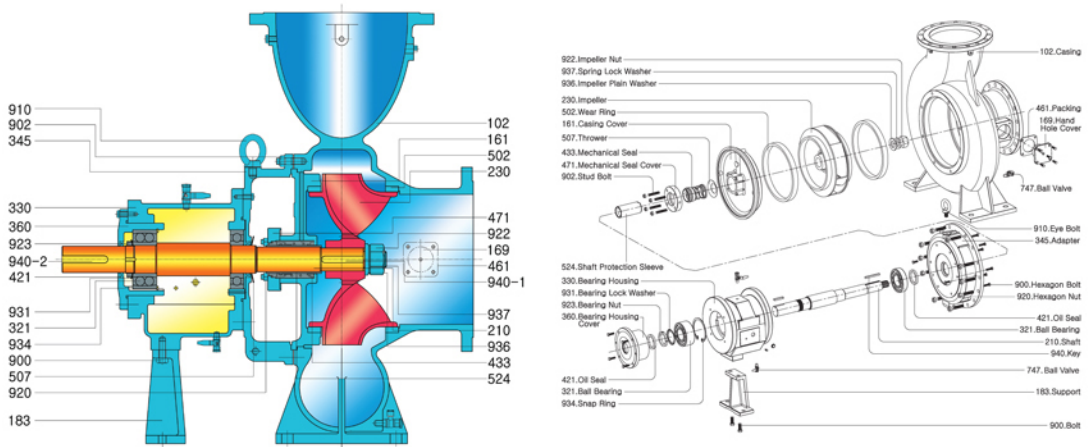
|   |   |                                  |
|---|---|----------------------------------|
| Treating Liquids (취급액)                        | Fresh water PH : 5,8 - 6,8                                      |                                  |
| Capacity (유량)                                 | 3 - 50m <sup>3</sup> /min                                       |                                  |
| Total Head (전양정)                              | 3 - 88m   |                                  |
| Temperature (온도)                              | Max. 99°C   |                                  |
| Bore (구경)                                     | 200 - 500mm   |                                  |
| Rotatory Direction (회전방향)                     | CW (Taking view of pump from driver)<br>CW (구동기 측에서 펌프를 바라보았을때) |                                  |
| Standard Limit of Inlet Pressure (표준 허용 인입압력) | 4kgf/cm <sup>2</sup>  |                                  |
| Structure (구조)                                | Impeller (회전차)  | Closed Type (클로즈형)               |
|   | Shaft Seal (축봉)   | Mechanical Seal Type (메커니컬 씰 타입) |
|   | Bearing (베어링)   | Ball Bearing (볼 베어링)             |
| Flange (플랜지)                                  |   | KS B 1511 10K, RF                |
| Coupling (커플링)                                | less than 60HP (60 HP이하)  | Jaw Coupling (문형형 커플링)           |
|   | more than 70HP (70 HP이상)  | Flange Coupling (플랜지 커플링)        |
| Material (재질)                                 | Casing (케이싱)  | A743 - CF8 / SSC13               |
|   | Impeller (회전차)  | A743 - CF8 / SSC13               |
|   | Shaft (축)   | A276 - 304 / STS304              |

### Option / 선택 사양

- Non-standard material (See the option in the structural drawing)
- Shaft seal type
- Non-standard coupling
- Attachment of meters
- Color & thickness of paints
- 비표준 재질 (조립 구조도의 선택 사양란 참고)
- 축봉 방식
- 비표준 커플링
- 계기류 부착
- 페인트 색상 및 두께



Structural Drawing / 조립 구조도



| Part No.<br>(품번) | Part Name<br>(부품명)      | Standard Material (표준재질) |              |
|------------------|-------------------------|--------------------------|--------------|
|                  |                         | ASTM                     | KS           |
| 102              | Volute Casing           | A743-CF8                 | SSC13        |
| 161              | Casing Cover            | A743-CF8                 | SSC13        |
| 169              | Hand Hole Cover         | A743-CF8                 | SSC13        |
| 183              | Support                 | A48-CL30                 | GC200        |
| 210              | Shaft                   | A276-304                 | STS304       |
| 230              | Impeller                | A743-CF8                 | SSC13        |
| 321              | Ball Bearing            | A295-52100               | STB2         |
| 330              | Bearing Housing         | A48-CL30                 | GC200        |
| 345              | Adapter                 | A48-CL30                 | GC200        |
| 360              | Bearing Housing Cover   | A48-CL30                 | GC200        |
| 421              | Oil Seal                | NBR                      | NBR          |
| 433              | Mechanical Seal         | SiC/Carbon               | SiC/Carbon   |
| 461              | Packing                 | Non-Asbestos             | Non-Asbestos |
| 471              | Mechanical Seal Cover   | A743-CF8                 | SSC13        |
| 502              | Wear Ring               | A743-CF8                 | SSC13        |
| 507              | Thrower                 | RUBBER                   | RUBBER       |
| 524              | Shaft Protection Sleeve | A276-304                 | STS304       |
| 900              | Hexagon Bolt            | A276-304                 | STS304       |
| 902              | Stud Bolt               | A276-304                 | STS304       |
| 910              | Eye Bolt                | A108-1045                | SM45C        |
| 920              | Hexagon Nut             | A276-304                 | STS304       |
| 922              | Impeller Nut            | A276-304                 | STS304       |
| 923              | Bearing Nut             | A108-1045                | SM45C        |
| 931              | Bearing Lock Washer     | A686 Type W1 Gr. C       | SK 5M        |
| 934              | Snap Ring               | A686 Type W1 Gr. C       | SK 5M        |
| 936              | Impeller Plain Washer   | A276-304                 | STS304       |
| 937              | Spring Lock Washer      | A276-304                 | STS304       |
| 940-1            | Key (Impeller)          | A276-304                 | STS304       |
| 940-2            | Key (Coupling)          | A108-1045                | SM45C        |



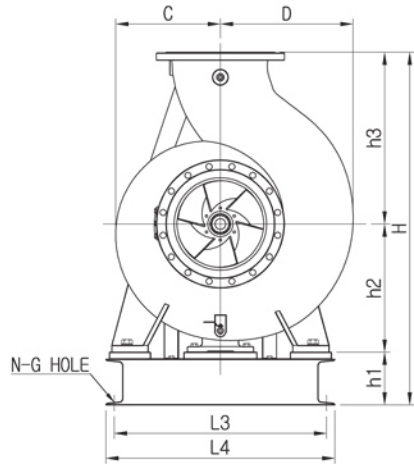
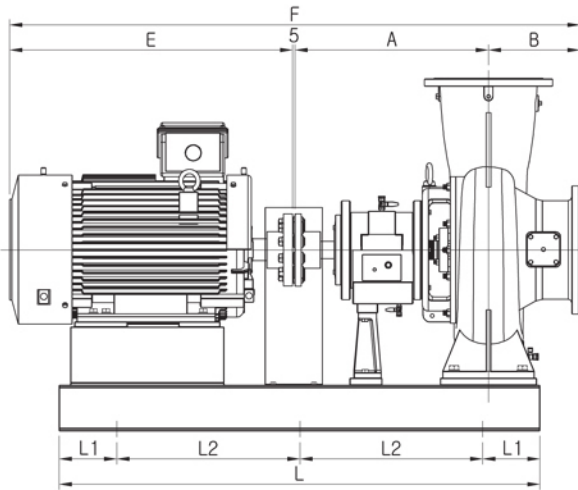
Outline Drawing / 외형 치수도

**GCP**  
Model Name  
(펌프 모델명)

**40**  
Suction Bore  
(흡입구경)  
[400mm]

**40**  
Discharge Bore  
(토출구경)  
[400mm]

**G**  
Total Head  
(전양정)



| Model<br>(형식) | Bore (구경)    |              | Capacity<br>(유량)<br>[m <sup>3</sup> /min] | Total Head<br>(전양정)<br>[m] | Motor<br>(전동기)<br>[Frame] | Power<br>(동력)<br>[kW] | Pump & Motor Dimensions [mm] |      |     |      |     |     |     |     |     |      | Baseplate Dimensions [mm] |     |     |      | Anchor Bolt |    |           |                |
|---------------|--------------|--------------|---|----------------------------|---------------------------|-----------------------|------------------------------|------|-----|------|-----|-----|-----|-----|-----|------|---------------------------|-----|-----|------|-------------|----|-----------|----------------|
|               | Suc.<br>(흡입) | Dis.<br>(토출) |   |                            |                           |                       | E                            | A    | B   | F    | C   | D   | h1  | h2  | h3  | H    | L                         | L1  | L2  | L3   | L4          | G  | N<br>(수량) | Length<br>(길이) |
| GCP<br>2020FH | 200          | 200          | 6   | 15                         | 180L                      | 22                    | 690                          | 610  | 180 | 1485 | 210 | 325 | 165 | 380 | 508 | 1053 | 1500                      | 250 | 500 | 450  | 520         | 23 | 6         | 315            |
|               |              |              | 8   | 16                         | 200L                      | 30                    | 820                          | 610  | 180 | 1615 | 210 | 325 | 165 | 380 | 508 | 1053 | 1500                      | 250 | 500 | 450  | 520         | 23 | 6         | 315            |
| GCP<br>2525EL | 250          | 250          | 10  | 13                         | 200L                      | 30                    | 820                          | 708  | 350 | 1883 | 335 | 450 | 170 | 450 | 560 | 1180 | 1800                      | 200 | 700 | 730  | 800         | 23 | 6         | 315            |
|               |              |              | 12  | 17                         | 225S                      | 45                    | 835                          | 708  | 350 | 1898 | 335 | 450 | 170 | 450 | 560 | 1180 | 1800                      | 200 | 700 | 730  | 800         | 23 | 6         | 315            |
| GCP<br>2525E  | 250          | 250          | 15  | 13                         | 225S                      | 45                    | 835                          | 708  | 350 | 1898 | 335 | 450 | 170 | 450 | 560 | 1180 | 1800                      | 200 | 700 | 730  | 800         | 23 | 6         | 315            |
|               |              |              | 15  | 17                         | 250S                      | 55                    | 885                          | 708  | 350 | 1948 | 335 | 450 | 170 | 450 | 560 | 1180 | 1800                      | 200 | 700 | 730  | 800         | 23 | 6         | 315            |
| GCP<br>3030E  | 300          | 300          | 17  | 15                         | 250S                      | 55                    | 885                          | 750  | 350 | 1990 | 354 | 455 | 170 | 450 | 600 | 1220 | 1900                      | 250 | 700 | 730  | 800         | 23 | 6         | 315            |
|               |              |              | 17  | 20                         | 250M                      | 75                    | 960                          | 750  | 350 | 2065 | 354 | 455 | 170 | 450 | 600 | 1220 | 1900                      | 250 | 700 | 730  | 800         | 23 | 6         | 315            |
| GCP<br>3535E  | 350          | 350          | 20  | 17                         | 250M                      | 75                    | 960                          | 750  | 350 | 2065 | 380 | 490 | 170 | 450 | 650 | 1270 | 2000                      | 250 | 750 | 730  | 800         | 23 | 6         | 315            |
|               |              |              | 23  | 18                         | 280S                      | 90                    | 1096                         | 750  | 350 | 2201 | 380 | 490 | 170 | 450 | 650 | 1270 | 2000                      | 250 | 750 | 730  | 800         | 23 | 6         | 315            |
| GCP<br>4040G  | 400          | 400          | 26  | 24                         | 315M                      | 110                   | 1240                         | 850  | 400 | 2495 | 455 | 579 | 230 | 560 | 750 | 1540 | 2100                      | 250 | 800 | 930  | 1000        | 27 | 6         | 400            |
|               |              |              | 27  | 23                         | 315M                      | 132                   | 1265                         | 850  | 400 | 2520 | 455 | 579 | 230 | 560 | 750 | 1540 | 2100                      | 250 | 800 | 930  | 1000        | 27 | 6         | 400            |
| GCP<br>4545G  | 450          | 450          | 30  | 21                         | 315M                      | 132                   | 1265                         | 850  | 400 | 2520 | 455 | 579 | 230 | 560 | 750 | 1540 | 2100                      | 250 | 800 | 930  | 1000        | 27 | 6         | 400            |
|               |              |              | 32  | 24                         | 315L                      | 160                   | 1512                         | 850  | 400 | 2767 | 455 | 579 | 230 | 560 | 750 | 1540 | 2100                      | 250 | 800 | 930  | 1000        | 27 | 6         | 400            |
| GCP<br>5050G  | 500          | 500          | 34  | 24                         | 315L                      | 160                   | 1740                         | 1020 | 470 | 3235 | 553 | 701 | 230 | 700 | 900 | 1850 | 2300                      | 300 | 850 | 1080 | 1150        | 27 | 8         | 400            |
|               |              |              | 36  | 28                         | 355L                      | 200                   | 2250                         | 1020 | 470 | 3745 | 553 | 701 | 230 | 700 | 900 | 1850 | 2300                      | 300 | 850 | 1080 | 1150        | 27 | 8         | 400            |

\* Note : All dimensions (millimeters) / Contact us for specific dimensions.

Selection Chart / 선정도

