



www.grtec.co.kr

A company dedicated to save environment with clean water management

GREEN TECH PUMP

GSA

수중 축류 펌프



GREEN TECH Co., Ltd.
Pump & System Engineering

GSA

SUBMERSIBLE AXIAL FLOW PUMP

SUBMERSIBLE AXIAL FLOW PUMP/ 수중 축류 펌프

Usages and Applications / 용도 및 적용 분야

- For general industries & water treatment
- For filthy water & wastewater
- For irrigation & drainage
- For power plant

- 일반산업 및 수처리용
- 오·폐수용
- 관개 및 배수용
- 발전소용

Design & Structure Feature / 설계 및 구조적 특징

- Detailed and concise design that facilitates handling and installation
- Low lift and large flow rate that allows various applicability
- Simple structure for easy maintenance
- Reduction in construction & facility cost at pumping stations (available for Space and no need of supplementary installation)
- Easy detection of defects to maximize production reliability (various safety built-in devices)

- 세밀하고 간결한 설계로 취급 및 설치가 용이
- 저양정, 대유량 설계로 다양한 적용성
- 유지관리가 용이한 간단한 구조
- 펌프장의 건축비 및 설비비의 절감
- 이상 유무 조기발견으로 제품의 신뢰성 극대화 (각종 안전장치 내장)



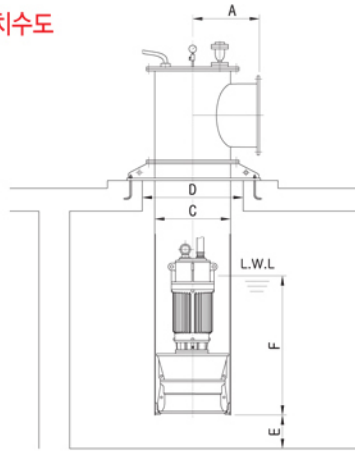
Standard Specification / 표준사양

Model (형식)	Bore (구경) (mm)	Power (동력) (kW)	Total Head (전양정) (m)	Capacity (유량) (m ³ /min)
GSA 15T 6	400	15	3.8	16
GSA 19T 6		19	4	19
GSA 22T 6		22	4.5	20
GSA 30T 6	450	30	5.2	23
GSA 19T 8		19	3.5	22
GSA 22T 8		22	3.5	25
GSA 30T 6	500	30	5	25
GSA 37T 6		37	5.5	28
GSA 45T 6		45	5.6	33
GSA 55T 6	600	55	6.5	35
GSA 22T 10		22	3	30
GSA 30T 10		30	3.5	35
GSA 37T 10	700	37	3.6	43
GSA 37T 8		37	4.3	35
GSA 45T 8		45	4.7	40
GSA 55T 8	750	55	5.5	42
GSA 75T 8		75	5.8	55
GSA 30T 10		30	3.5	35
GSA 37T 10	800	37	3.6	43
GSA 45T 10		45	4	47
GSA 55T 10		55	4.6	50
GSA 55T 8	900	55	5	45
GSA 75T 8		75	5.6	55
GSA 90T 8		90	6	63
GSA 110T 8	1000	110	6.5	71
GSA 45T 10		45	4	48
GSA 55T 10		55	4.5	52
GSA 75T 10	1100	75	5	64
GSA 90T 10		90	5.5	70
GSA 90T 8		90	6.2	62
GSA 110T 8	1200	110	6.7	70
GSA 130T 8		130	7.2	77
GSA 150T 8		150	7.5	88
GSA 190T 8	1300	190	8.2	100
GSA 75T 10		75	4.7	68
GSA 90T 10		90	5.2	74
GSA 110T 10	1400	110	5.7	82
GSA 130T 10		130	6	92
GSA 55T 14		55	3.5	67
GSA 75T 14	1500	75	4.2	76
GSA 90T 14		90	4.5	86
-		-	-	-

Model (형식)	Bore (구경) (mm)	Power (동력) (kW)	Total Head (전양정) (m)	Capacity (유량) (m ³ /min)
GSA 75T 12	900	75	4	80
GSA 90T 12		90	4	87
GSA 110T 12		110	5	96
GSA 130T 12	1000	130	5.5	103
GSA 55T 16		55	3	78
GSA 75T 16		75	3.5	93
GSA 90T 16	1100	90	4	98
GSA 110T 16		110	4	120
GSA 130T 10		130	5.9	95
GSA 150T 10	1200	150	6.2	105
GSA 190T 10		190	7	118
GSA 220T 10		220	7.5	128
GSA 110T 14	1300	110	4.2	115
GSA 130T 14		130	4.4	130
GSA 150T 14		150	4.9	135
GSA 190T 14	1400	190	5.5	152
GSA 220T 14		220	6	162
GSA 75T 16		75	3.5	94
GSA 110T 16	1500	110	4	120
GSA 130T 16		130	4.5	125
GSA 150T 16		150	4.9	135
GSA 190T 12	1600	190	6	139
GSA 220T 12		220	6.5	149
GSA 250T 12		250	6.9	160
GSA 300T 12	1700	300	7.4	180
GSA 350T 12		350	7.8	200
GSA 150T 18		150	4	165
GSA 190T 18	1800	190	4.4	190
GSA 220T 16		220	5	195
GSA 250T 14		250	5.5	202
GSA 300T 14	1900	300	5.8	225
GSA 190T 14		190	5	162
GSA 220T 14		220	5.5	175
GSA 250T 14	2000	250	6	185
GSA 300T 12		300	6.5	206
GSA 350T 12		350	7	220
GSA 400T 12	2100	400	7.4	240
GSA 300T 14		300	6.2	215
GSA 350T 14		350	6.5	240
GSA 400T 12	2200	400	7.1	250
GSA 450T 12		450	7.5	265
GSA 500T 12		500	8	275

* Note : Contact us for specific dimensions.

Outline Drawing / 외형 치수도



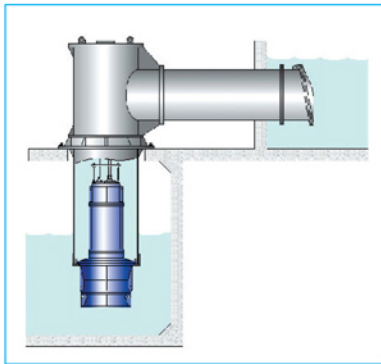
Model (형식)	A	C	D	E	F	Weight (중량) [Kg]
GSA 15T 6	450	600	700	350	700	350
GSA 19T 6	450	600	700	350	700	600
GSA 22T 6	450	600	700	350	700	700
GSA 30T 6	450	600	700	350	700	750
GSA 19T 8	500	700	800	350	800	750
GSA 22T 8	500	700	800	350	800	850
GSA 30T 8	500	700	800	400	900	750
GSA 37T 6	500	700	800	400	900	950
GSA 45T 6	500	700	800	400	900	1200
GSA 55T 6	500	700	800	400	900	1500
GSA 22T 8	550	800	950	400	900	900
GSA 30T 8	550	800	950	400	900	900
GSA 37T 8	550	800	950	400	900	1100
GSA 37T 8	550	800	950	500	1000	950
GSA 45T 8	550	800	950	500	1000	1600
GSA 55T 8	550	800	950	500	1000	1900
GSA 75T 8	550	800	950	500	1000	2000
GSA 30T 10	650	900	1050	500	1000	1000
GSA 37T 10	650	900	1050	500	1000	1200
GSA 45T 10	650	900	1050	500	1000	2000
GSA 55T 10	650	900	1050	500	1000	2400
GSA 55T 8	700	1000	1150	550	1200	1900
GSA 75T 8	700	1000	1150	550	1200	2000
GSA 90T 8	700	1000	1150	550	1200	2150
GSA 110T 8	700	1000	1150	550	1200	2600
GSA 45T 10	750	1100	1300	550	1200	2000
GSA 55T 10	750	1100	1300	550	1200	2400
GSA 75T 10	750	1100	1300	550	1200	2500
GSA 90T 10	750	1100	1300	550	1200	3100
GSA 90T 8	750	1000	1150	600	1300	2150
GSA 110T 8	750	1000	1150	600	1300	2600
GSA 130T 8	800	1100	1300	600	1300	3200
GSA 150T 8	800	1100	1300	600	1300	3800
GSA 190T 8	800	1100	1300	600	1300	4800
GSA 75T 10	950	1300	1500	600	1300	2500
GSA 90T 10	950	1300	1500	600	1300	3100
GSA 110T 10	950	1300	1500	600	1300	3500
GSA 130T 10	950	1300	1500	600	1300	3800
GSA 55T 14	850	1200	1400	600	1300	3100
GSA 75T 14	850	1200	1400	600	1300	3200
GSA 110T 14	850	1200	1400	600	1300	3500
-	-	-	-	-	-	-

Model (형식)	A	C	D	E	F	Weight (중량) [Kg]
GSA 75T 12	850	1200	1400	700	1500	3100
GSA 90T 12	850	1200	1400	700	1500	3200
GSA 110T 12	850	1200	1400	700	1500	3800
GSA 130T 12	850	1200	1400	700	1500	4500
GSA 55T 16	850	1200	1400	700	1500	3700
GSA 75T 16	850	1200	1400	700	1500	4100
GSA 90T 16	900	1300	1500	700	1500	4500
GSA 110T 16	900	1300	1500	700	1500	5000
GSA 130T 10	900	1200	1400	800	1800	3800
GSA 150T 10	900	1200	1400	800	1800	4500
GSA 190T 10	900	1200	1400	800	1800	5800
GSA 220T 10	1000	1400	1600	800	1800	6300
GSA 110T 14	1000	1400	1600	800	1800	4500
GSA 130T 14	1000	1400	1600	800	1800	5000
GSA 150T 14	1000	1400	1600	800	1800	6300
GSA 190T 14	1000	1400	1600	800	1800	6600
GSA 220T 14	1000	1400	1600	800	1800	6800
GSA 75T 16	1000	1400	1600	800	1800	4100
GSA 110T 16	1000	1400	1600	800	1800	5000
GSA 130T 16	1000	1400	1600	800	1800	5500
GSA 150T 16	1000	1400	1600	800	1800	6500
GSA 190T 12	1050	1400	1600	900	2000	6300
GSA 220T 12	1050	1400	1600	900	2000	6500
GSA 250T 12	1050	1400	1600	900	2000	7100
GSA 300T 12	1150	1600	1850	900	2000	7600
GSA 350T 12	1150	1600	1850	900	2000	8200
GSA 150T 18	1150	1600	1850	1000	2200	7900
GSA 190T 18	1150	1600	1850	1000	2200	8100
GSA 220T 16	1150	1600	1850	1000	2200	8800
GSA 250T 14	1150	1600	1850	1000	2200	9000
GSA 300T 14	1150	1600	1850	1000	2200	9200
GSA 190T 14	1200	1700	1950	1000	2400	8400
GSA 220T 14	1200	1700	1950	1000	2400	8600
GSA 250T 14	1200	1700	1950	1000	2400	9200
GSA 300T 12	1200	1700	1950	1000	2400	9400
GSA 350T 12	1200	1700	1950	1000	2400	10000
GSA 400T 12	1200	1700	1950	1000	2400	10200
GSA 300T 14	1300	1800	2050	1100	2600	9400
GSA 350T 14	1300	1800	2050	1100	2600	10000
GSA 400T 12	1300	1800	2050	1100	2600	10200
GSA 450T 12	1300	1800	2050	1100	2600	10500
GSA 500T 12	1300	1800	2050	1100	2600	11000

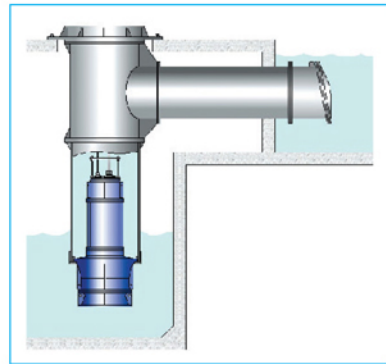
* Note : All dimensions (millimeters) / Contact us for specific dimensions.



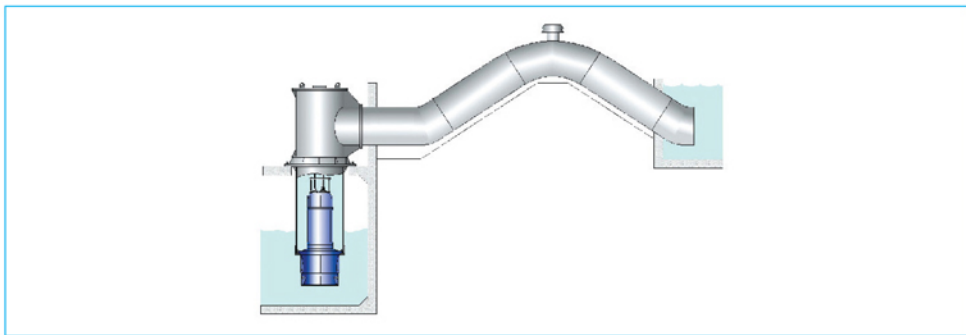
Installation Types of Submersible Axial Flow / Mixed Flow Pump
/ 수중 축 사류 펌프 설치형태



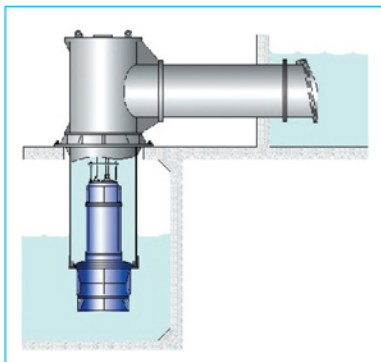
Standard Type (표준형)



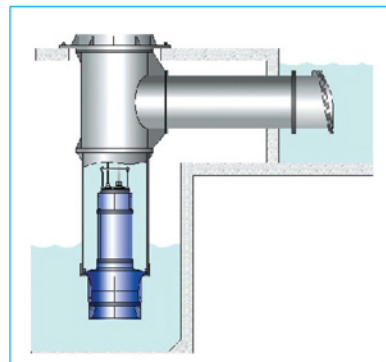
Hanging Type (현수식)



Syphon Type (사이폰식)



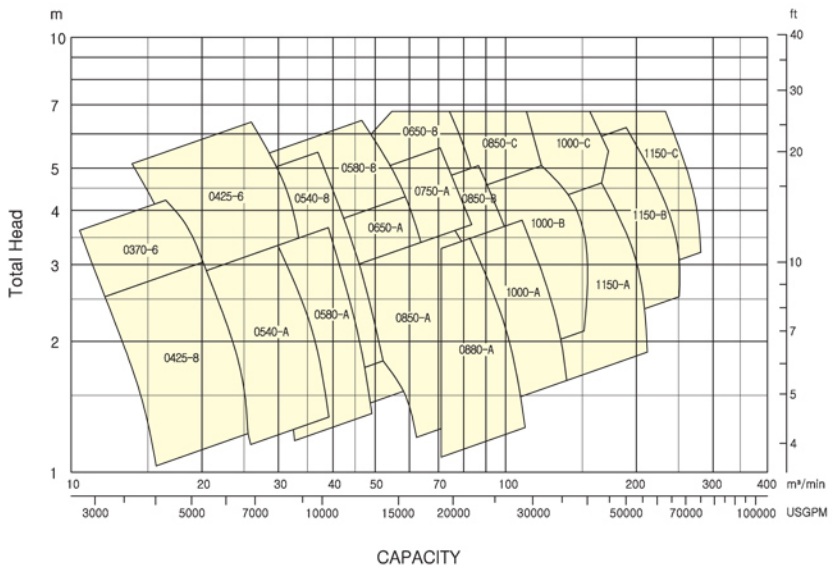
Concrete Structure Type (콘크리트구조형)



Open Pit Type (개방형)

Selection Chart / 선정도

50Hz



60Hz

