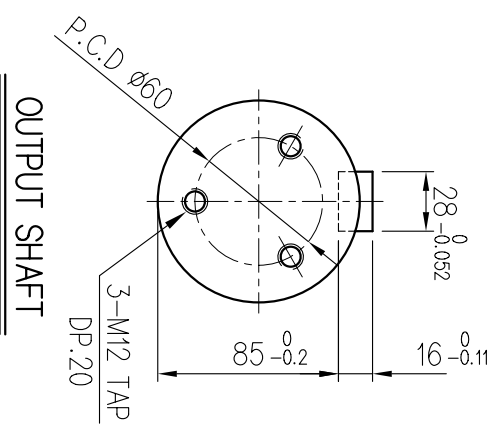
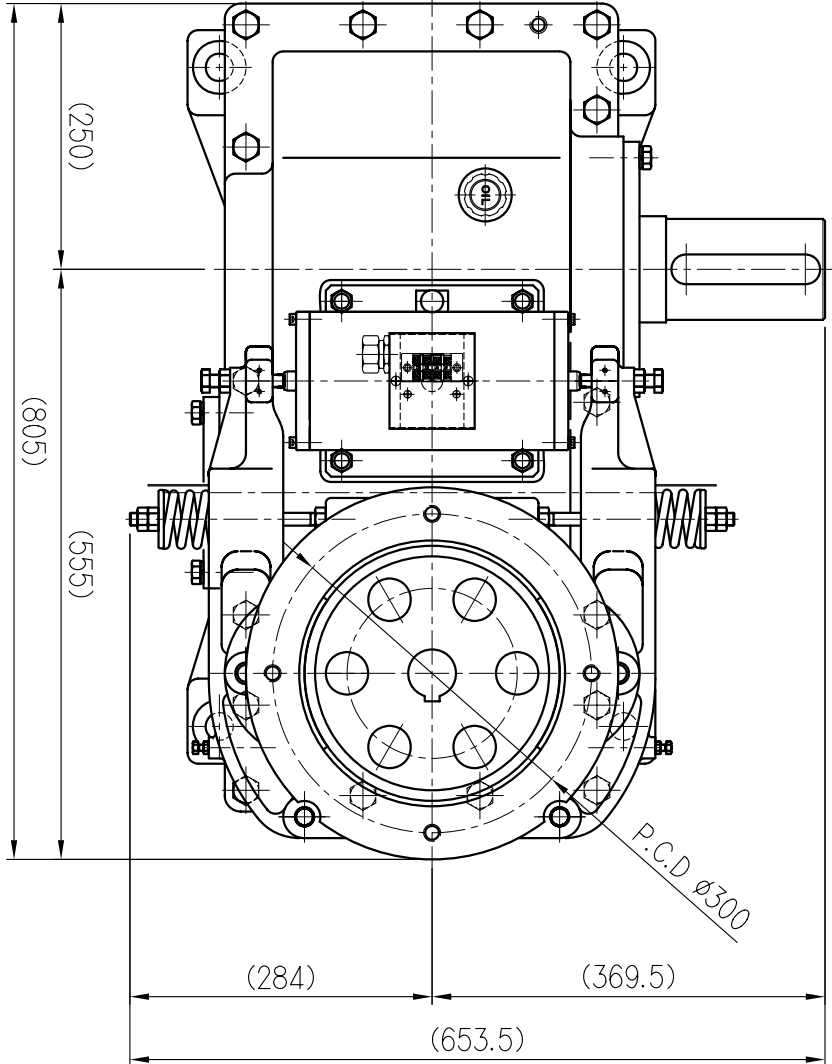


VIEW "A"



(1105.5)-15,18.5kW, (1135.5)-22kW

