

HKTC Auger – attached Crane





Multi-purposed & high-performance **Auger Crane**

By manufacturing innovative lifting equipment to fulfill your needs, HKTC continues to share new experiences and values we make to you.

Durable boom & best performance

All booms made by ATOS80 having high tensile strength are designed to maximize durability under the powerful & multi-functional performance.

Reputable & trusted Drilling Device

Drilling device made by DIGGA can guarantee high performance and drilling efficiency. For durability, frame base & crane body are reinforced. Size and thickness of 2nd boom are increased to attach drilling device.

Never stop evolving

To pioneer new way up to the invisible beyond customer's expectation, HKTC offers high-end cranes, which are new things to be seen and to be felt.

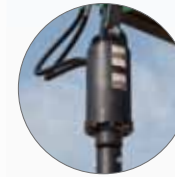


Pole Supporter

Steel guide at the rear of the boom can support electric pole solidly.

Boom Sliding Pad

By thin groove on pad surface, cost effectiveness for grease injection can be made.



Auger Motor and Reduction Gear

Volumetrically efficient Motor (EATON) can ensure cost-effective productivity, throughout the working day.



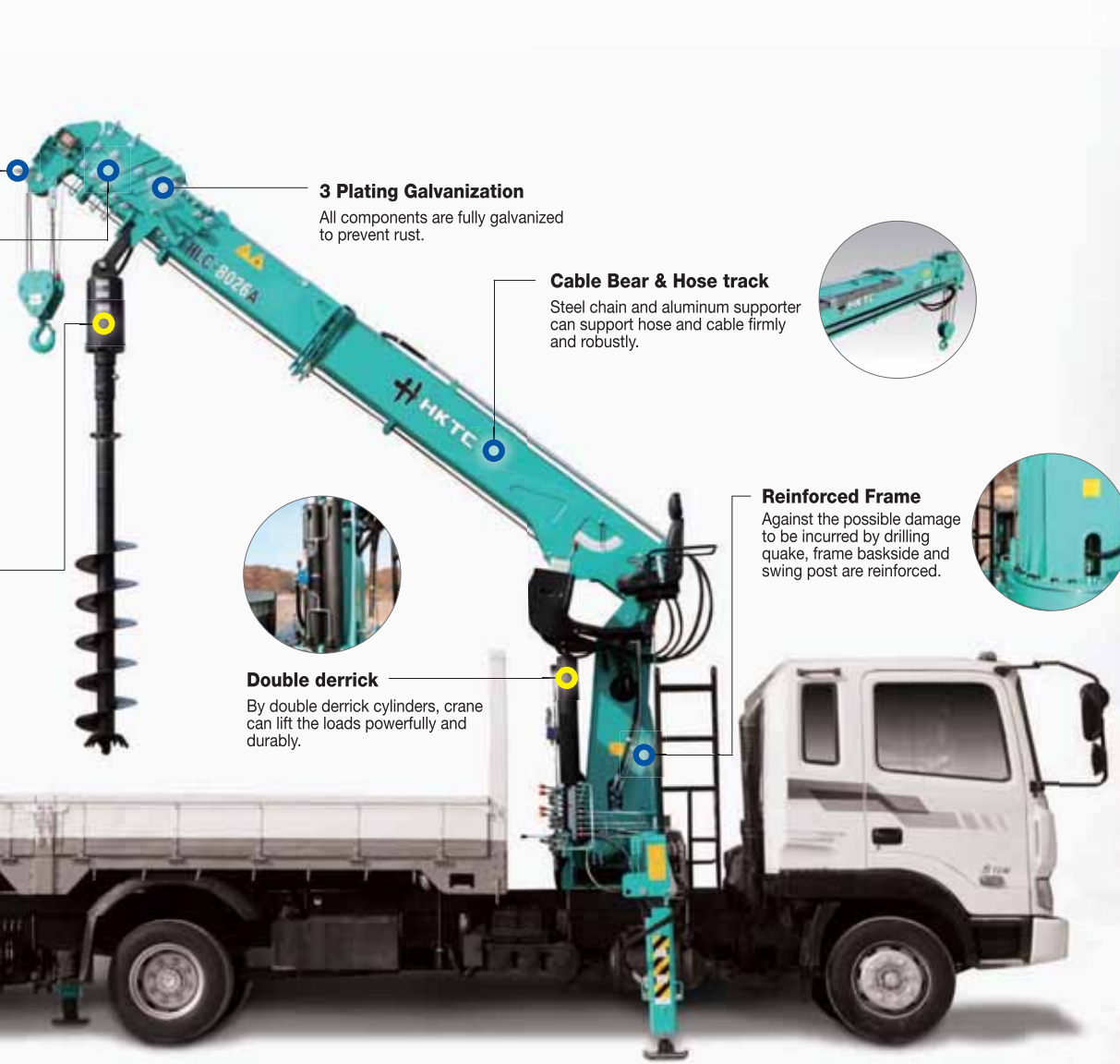
Slewing reduction gear

For smooth but powerful operation, hydraulic internal brake and worm reduction gear are equipped.



All in one Oil tank

By all in one oil tank, installation can be made easily and wider loading space can be secured.

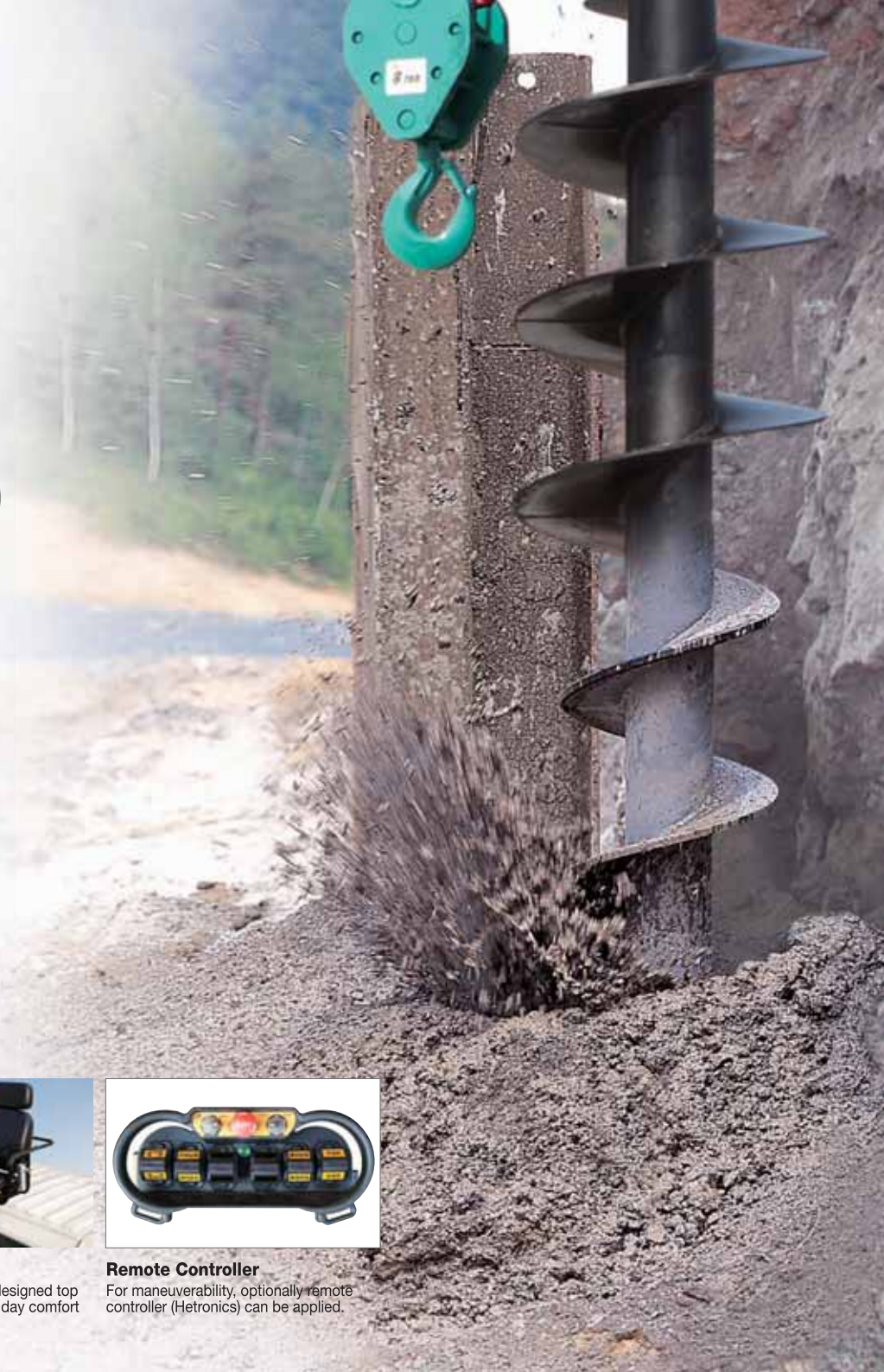


3 Plating Galvanization
All components are fully galvanized to prevent rust.

Cable Bear & Hose track
Steel chain and aluminum supporter can support hose and cable firmly and robustly.

Reinforced Frame
Against the possible damage to be incurred by drilling quake, frame backside and swing post are reinforced.

Double derrick
By double derrick cylinders, crane can lift the loads powerfully and durably.



Over center valve
By high-quality over-center valve, durability is improved. It can prevent Boom & Derricks falling down.



Outrigger Check Valve
Outrigger check valve can prevent the separation of outrigger during the off-road operation and traveling.



Main Valve
The most qualified main valve from Italia can guarantee effective multi-function and screw spin speed.



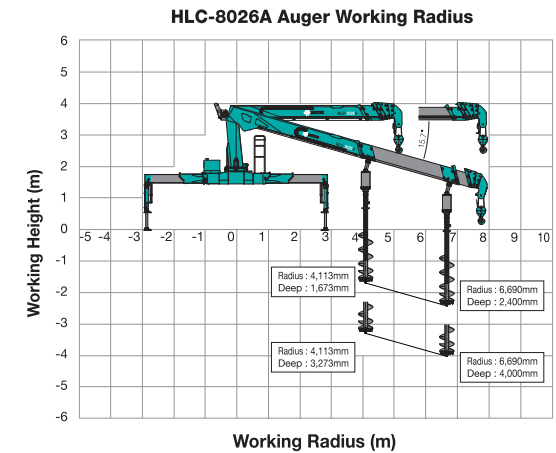
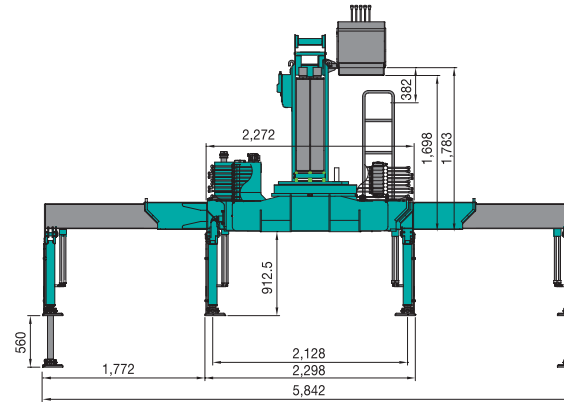
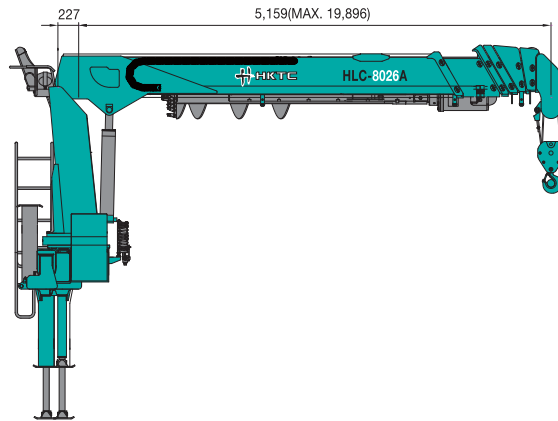
Top seat console
Optimally & ergonomically designed top seat console guarantees all day comfort to operator.



Remote Controller
For maneuverability, optionally remote controller (Hetronics) can be applied.

Auger Crane (HLC-8026A)

WORKING RADIUS / SPECIFICATION



Recommendable Truck chassis / More than 7.0 ton (Payload basis)

• Drilling Device

Model and Maker	PD10HF or equivalent by DIGGA (Origin : Australia)
Hole Diameter	350mm or 450mm
Max. length of Screw	4,470mm
Max. Hole Depth	4,000mm (From Ground)
Working Radius	4,113mm ~ 6,689mm
Hydraulic Motor Torque	866 kg.m
Spin Speed	36 rpm

• Outrigger

Type (By Hydraulic)	Main	Slewing Type
	Rear	Height adjustable

• Winch & Hydraulic Devices

Type	Spur gear reduction & Mechanic Brake
Wire Rope	Ø10 x 120mm
Operating Pressure	210 bar
Hydraulic Tank Capacity	120 ℓ

• Crane

Type	Telescopic 6 Section Booms	
Max. Lifting Capacity	21.0 ton.m	
Lifting Capacity	1st Boom	3,485 kgf / 5.2 m
	2nd Boom	1,965 kgf / 7.8 m
	3rd Boom	1,195 kgf / 10.9 m
	4th Boom	865 kgf / 13.9 m
	5th Boom	635 kgf / 16.9 m
	6th Boom	495 kgf / 19.9 m
Max. Lifting Height	22.0 m	
Max. Working Radius	19.9 m	
Slewing	Angle	360° (Continuous)
	Speed	1.2 rpm
Boom	Angle	-16° ~ 79° (Minus Crane)

In condiiton of attachment of drilling device

Remarks

1. According to Boom section adjustment and optional item application, variant models can be available.
2. The specifications are subject to change without prior-notice, according to product improvements.
3. The separate Contract with specification sheet prevails the above-mentioned Specification.



HanKook Tower Crane Co. Ltd

1191, Chopyeong-ro, Chopyeong-myeon, Jinchun-gun, Chungbuk. Korea
 TEL +82-70-4487-8030 FAX +82-43-838-5353 E-mail snha@hktc.co.kr

HKTC1412-01 Vol.01 01. Dec. 2014©2014 HKTC printed in Korea