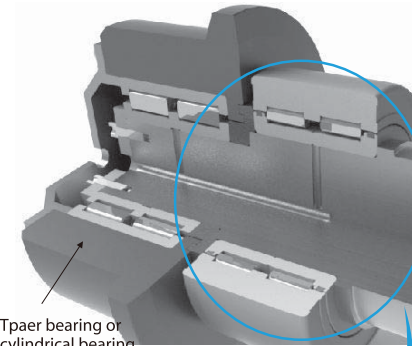
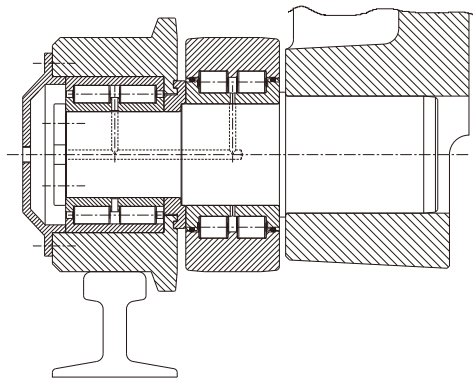
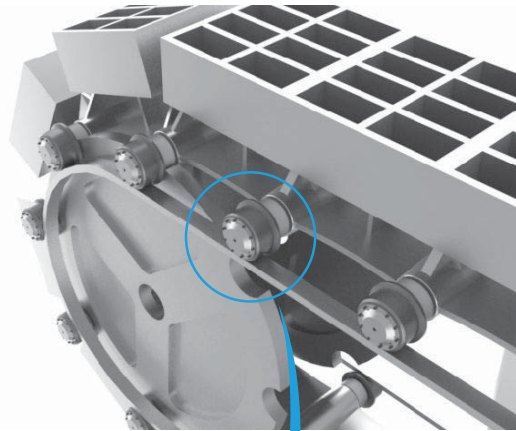
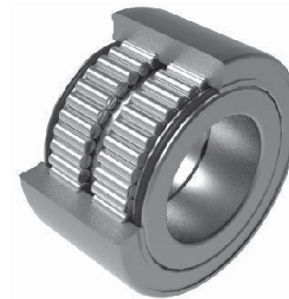


## Pressure roller bearing PRB series (For pallet cars in sinter plant)



Tpaer bearing or  
cylindrical bearing

Pressure roller bearing (PRB)



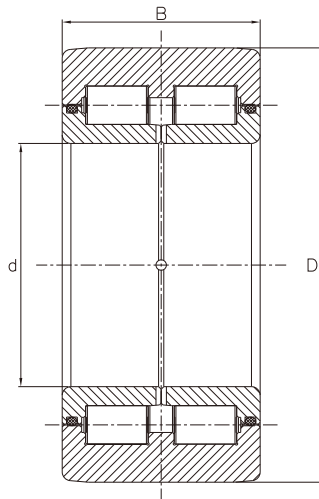
### Components

- Outer ring
- Inner ring
- Roller
- Sealing ring

### Advantages and special features

- Reinforced outer ring ensure shock load when pressure roller bearings push gear shaped drive wheels which pull pallet chain.
- Full complement of rollers ensure heavy load.
- Sealing ring with improved design prevents foreign contamination.

## Pressure Roller Bearing - PRB Series



BEARING		Load Ratings		D	B
Shaft Dia.(d)	Designations	Dyn. C (kN)	Stat. C <sub>0</sub> (kN)		
88	PRB 88/170x95	384	908	170	95
	PRB 93/170x95	384	908	170	95
93	PRB 93/171x95	384	908	171	95
	PRB 110/200x90	414	841	200	90
110	PRB 110/210x110	479	942	210	110
	PRB 110/300x87/133	604	1022	300	87/133
120	PRB 120/190 x 130	580	1570	190	130
	PRB 120/210 x 113.8	584	1268	210	113.8
	PRB 120/210 x 114	584	1268	210	114
128.665	PRB 128.665/210 x 101.6	393	1132	210	101.6
	PRB 128.665/210 x 114	463	1395	210	114
130	PRB 130/210 x 132	529	1659	210	114
	PRB 130/250 x 132	899	1664	250	132
140	PRB 140/250 x 114	769	1601	250	132
	PRB 140/250 x 130	899	1957	250	130