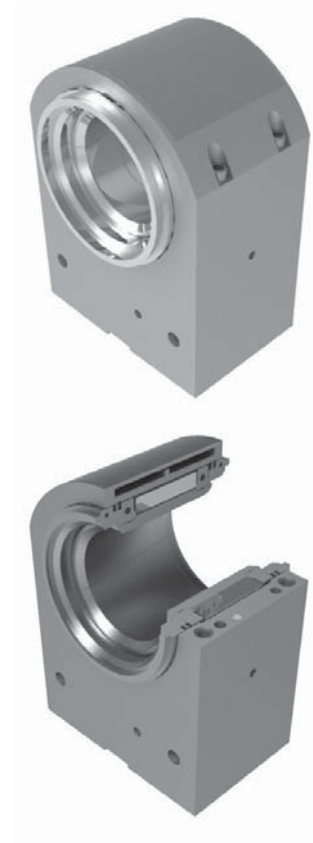
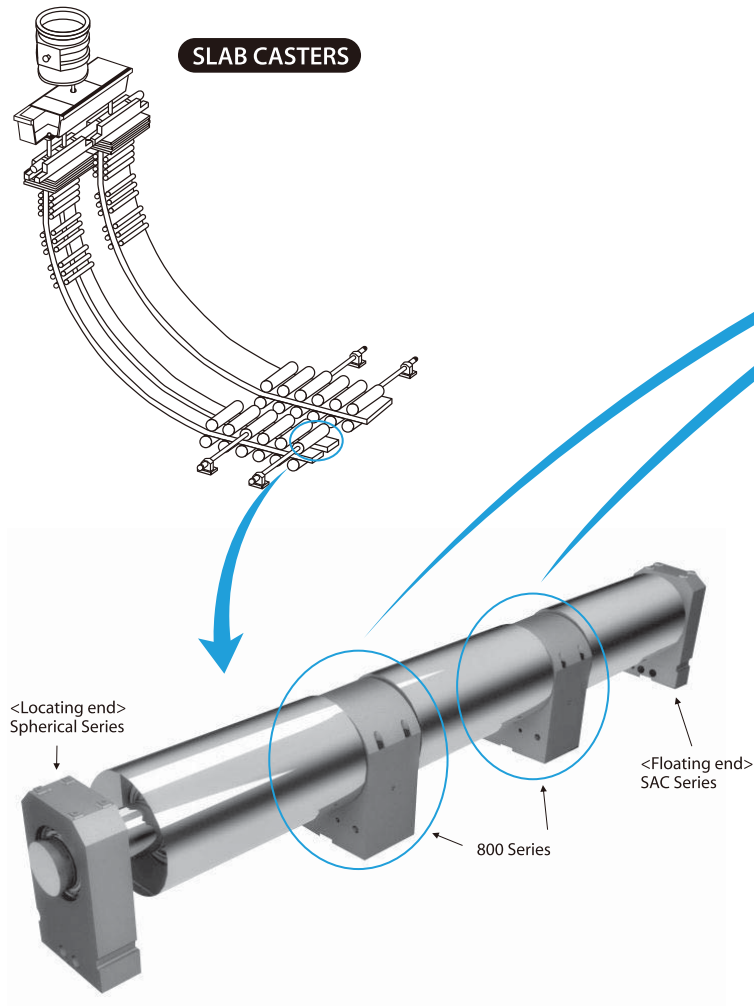


Split center bearing with water cooled housing and seals

800 series (For Driven guide roll in slab caster)

800 Series



Components

- Bearing
 - Outer ring
 - Inner ring
 - Clamping ring
 - Roller
- Water cooled housing
- Seals
 - Labyrinth ring + Laminar ring

Advantages and special features

- 800 series, split center bearing with water cooled housing and seals, solves below problems in driven guide roll in slab caster.

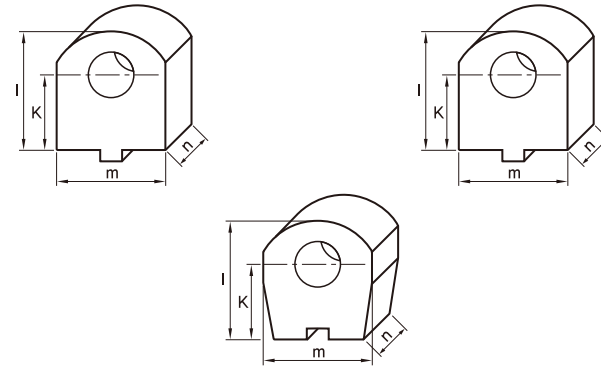
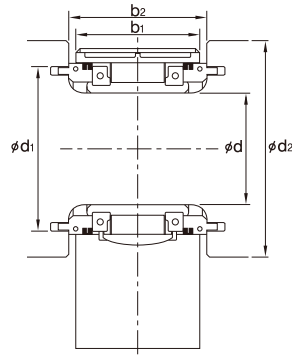
High temperature
Heavy load
Dust & water contamination
To be fitted on recessed shaft

- To dissipate heat in high temperature circumstance, cooling water is circulating through housing block.
- Specially designed sealing system enables to prevent foreign contaminants penetrating into bearing block. Labyrinth ring is recommended to be installed between the housing and roll by injection of silicon.
- Every main component has two halves, exceptionally only one half of outer ring is fitted in bottom of the housing block.
- Outer ring and inner ring has angled joints to ensure continuity of contact with rollers.
- Two halves of inner ring are fully fitted on shaft by two clamping rings.
- When fitting two halves of inner ring on shaft, there should be a gap at the joint in order to ensure full contact between the bore of inner ring and shaft. The gaps differ from the sizes, 0.35mm to 0.55mm.
- Easy fitting and dismantling.

Various types of water cooled housing



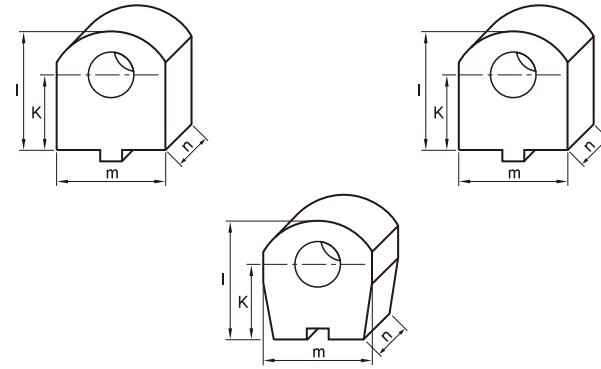
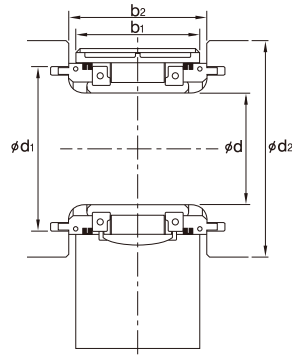
800 series - Split center bearing with water cooled housing and seals



d	d ₁	d ₂	b ₁	b ₂	BEARING & HOUSING Designations	Load Ratings Stat. C ₀ (kN)	l	m	n	k
60	108	150	62	70	800M60BH-RIST	250	192	150	62	125
70	118	160	62	70	800M70BH-RIST	281	197	160	62	125
75	129	160	62	70	700M75BH-POSCO	306	207	165	134	135
	129	165	66	76	700M75BH-SALDANHA	344	207	166	134	135
	129	165	58	64	700M75BH-4100261	287	202	165	134	130
	117	160	91	101	800M75BH-5.333121.Q	447	228	160	91	158
	134	180	62	70	800M80BH-RIST	321	215	180	62	135
80	144	185	66	76	700M90BH-POSCO	360	230	180	134	150
	144	185	66	76	700M90BH-SALDANHA	381	230	180	134	150
90	144	180	58	64	700M90BH-4100259	331	202	180	134	122.5
	136	180	85	95	800M95BH-5.301575.G	447	233	180	85	153
100	140	200	130	150	800M100BH-CST	844	265	195	130	175
	140	200	130	150	800M100BHINCLN-CST	844	265	195	130	175
	160	200	127	146	800M100BH-AHU-7203	844	265	200	127	175
	148	200	134	146	800M100BH-8L15009	844	250	220	134	160
	148	200	134	146	800M100BH-TN	844	250	220	134	160
105	148	205	148	165	800M105/205BH-DAN	970	237.5	212	148	145
	171	230	134	146	800M110BH-GE1794	972	273	260	134	170
	171	220	134	146	800M110BH-GE1799	972	275	240	134	175
110	171	220	120	140	800M110BH-PBA360H	1019	325	220	120	225
	176	230	135	155	800M110BH-PBA404H	1237	285	230	135	180
	176	230	139	155	800M110BH-SSM	1001	255	230	139	150
	176	230	135	155	800M110BH-SSM-W135	1001	255	230	135	150
115	178	240	167	181	800M115BH-CSC	1139	330	240	167	220
	224	240	158	174	800M115BH-PCR-NSN	907	333	240	158	220

d	d ₁	d ₂	b ₁	b ₂	BEARING & HOUSING Designations	Load Ratings Stat. C ₀ (kN)	l	m	n	k
120	177	230	132	144	800M120BH-2960124	985	240	240	132	135
	177	230	132	144	800M120BH-2960151	985	240	240	132	135
	177	230	132	144	800M120BH-2960151-72	985	240	240	132	135
	177	230	132	144	800M120BH-2960154V	985	252	240	132	145
	177	230	132	144	800M120BH-2960155V	985	241	240	132	135
	177	220	145	165	800M120BH-4.974103.S	1004	260	220	145	160
	191	220	140	164	800M120BH-5.271320.M	897	245	220	140	145
	177	230	144	160	800M120BH-8L15948/2	1144	288	230	144	185
	193	250	135	155	800M120BH-PBA251H-2	1353	305	250	135	190
	193	250	135	155	800M120BH-PBA299	985	280	250	135	165
	193	250	135	155	800M120BH-PBA299A	985	280	250	135	165
	177	220	140	164	800M120BH-PCR 2203	985	275	220	140	175
	178	220	145	165	800M120BH-PCR 2204	1004	260	220	145	160
	191	220	140	164	800M120BH-R220-DAN	897	245	225	140	145
	191	225	140	164	800M120BH-R225	897	245	225	140	145
	191	250	139	155	800M120BH-R250	1207	290	250	139	175
	193	250	135	155	800M120BHPOSCO/CCM3	965	280	250	135	165
	191	250	135	155	800M120BH-R250-POSCO-CCM3	1135	290	250	135	175
	191	260	139	155	800M120BH-R260	1207	300	260	139	180
	177	230	144	160	800M120BH-8040E	1144	288	230	144	185
189.5	250	162	180	800M120BH-BT-R250	1524	260	250	162	145	
177	230	144	160	800M120BH-LZSMS-R230	1182	278.5	234	160	144	
125	186	245	170	185	800M125BH-COCKERILL	1382	302.5	245	170	190
	195	245	170	185	800M125BH-COCKERILL/HKM	1678	302.5	245	170	190
	225	255	186	202	800M125BH-GE1713	1035	366	265	186	250

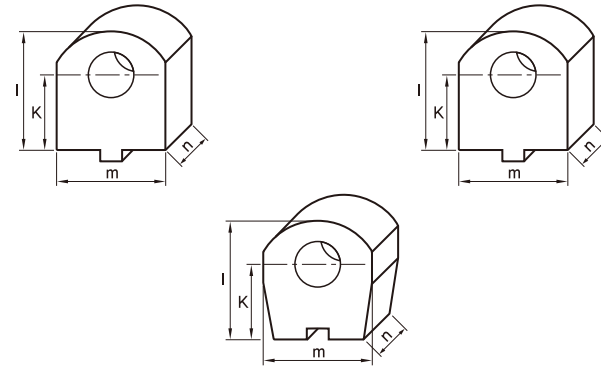
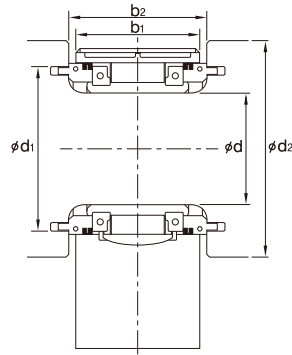
800 series - Split center bearing with water cooled housing and seals



d	d ₁	d ₂	b ₁	b ₂	BEARING & HOUSING Designations	Load Ratings Stat. C ₀ (kN)	l	m	n	k
130	203	260	170	186	800M130BH-1734	1441	333	270	170	215
	195	280	150	164	800M130BH-7931e	1233	320	270	150	200
	187	245	165	185	800M130BH-21012114	1453	271	240	200	160.5
	187	265	180	200	800M130BH-21012123	1233	290	260	224	170.5
	204	250	170	180	800M130BH-H280	1496	280	270	170	145
	195	260	170	186	800M130BH-8L15949/1	1233	333	260	170	215
	189	240	165	185	800M130BH-4.974110.R	1493	285	240	165	175
	192	260	174	190	800M130BH-8L15218	1233	320	260	174	200
	192	260	174	190	800M130BH-8L15218-A(40)	1233	320	260	174	200
	185	240	150	170	800M130BH-CST	1278	285	240	150	175
	203	270	135	155	800M130BH-PBA252H-2	1446	315	270	135	190
	203	280	143	163	800M130BH-PBA300	1016	310	280	143	180
	203	280	143	163	800M130BH-PBA300A	1016	310	280	143	180
	185	240	160	185	800M130BH-8041E	1223	300	240	160	190
	203	250	170	185	800M130BH-8L15076	1233	310	265	170	195
	195	250	132	144	800M130BH-GE1495	1035	271	270	132	135
	195	250	130	144	800M130BH-GE1585	1035	261	270	130	145
	195	270	150	164	800M130BH-GE1812	1035	300	270	150	175
	195	260	170	186	800M130BH-LZSMS-R260	1701	320.5	270	170	190
	185	240	160	185	800M130BH-PCR2401	1223	300	240	160	190
204	250	170	180	800M130BH-PDV	1496	295	270	170	180	
204	250	170	180	800M130BH-PDV-COOP	1496	295	270	170	180	
135	200	250	160	184	800M135BH-R250-DAN	1617	275	255	160	160
	200	250	160	184	800M135BH-5.271329.H	1617	275	250	160	160
140	213	280	175	191	800M140BH-220906778	1908	305	275	175	180

d	d ₁	d ₂	b ₁	b ₂	BEARING & HOUSING Designations	Load Ratings Stat. C ₀ (kN)	l	m	n	k
140	206	260	165	185	800M140BH-4.974083.Q	1580	305	260	165	185
	213	270	173	190	800M140BH-7059	1786	319	280	173	195
	189.5	235	127	146	800M140BH-IPSCO	973	283	235	127	175
	189.5	235	127	146	800M140BH-INCLN-IPSCO	973	283	235/260.5	127	175
	206	260	205	225	800M140BH-5.171285.T	2171	305	260	205	185
	212	280	184	200	800M140BH-8L15217	1429	339	280	184	210
	212	280	184	200	800M140BH-8L15217-A(40)	1429	339	280	184	210
	208	265	178	192	800M140BH-CSC	1429	372.5	265	178	250
	200	260	160	185	800M140BH-8042E	1424	320	260	160	200
	208	285	170	185	800M140BH-COCKERILL	1786	324.5	275	170	200
	254	285	164	180	800M140BH-NSN	1411	373	270	164	245
	200	260	160	185	800M140BH-PCR2605	1424	320	260	160	200
	202	260	165	185	800M140BH-PCR2606	1580	305	260	165	185
	214	270	175	185	800M140BH-PDV	1581	320	285	175	195
	214	270	175	185	800M140BH-PDV-COOP	1581	320	285	175	195
	219	275	170	185	800M140BH-HKM	899	324.5	275	170	200
	235/211	265	174	190	800M140H-5S2815NY252	-	301.5	265	174	175
	204	255	160	180	800M143BH-CST	1372	337.5	255	160	220
	204	255	160	180	800M143BH-INCLN-CST	1372	337.5	255	160	220
	145	213	280	162	180	800M145BH-USM	1699	390	280	162
218		295	195	209	800M145BH-CSC	2427	407.5	295	195	270
224		295	170	185	800M145BH-GE1811	1425	312.5	300	170	175
224		295	170	185	800M145BH-GE1811 ISPAT 306	1425	306	300	170	175
213		280	162	180	800M145BH-R280 USM	1699	390	280	162	260
218		295	195	209	800M145BH-R295 USM	2427	407.5	295	195	270

800 series - Split center bearing with water cooled housing and seals



d	d ₁	d ₂	b ₁	b ₂	BEARING & HOUSING Designations	Load Ratings Stat. C ₀ (kN)	l	m	n	k
145	214.5	310	170	186	800M145BH-8L15950/1	1699	360	290	170	215
	220	290	194	210	800M145BH-GE1711	1425	400.5	300	194	270
	224	295	170	185	800M145BH-GE1751	1425	306	300	170	175
	218	280	170	186	800M145BH-LZSMS-R290	1794	332.5	290	170	190
	227	300	200	220	800M150BH-21012135	2326	343	290	224	208
150	-	295	170	200	800M150BH-575718A	1429	307.5	300	170	175
	223	290	180	196	800M150BH-7058	2069	336	300	180	205.5
	230	310	190	206	800M150BH-8L15216	1691	365	310	190	225
	-	295	170	200	800M150BH-ESSAR	1691	307.5	300	170	175
	238	330	168	188	800M150BH-PBA301	1627	375	330	168	220
	238	330	168	188	800M150BH-PBA301A	1627	375	330	168	220
	225	290	174	190	800M150BH-R290	1627	315/325	290	174	180/190
	244/220	280	184	200	800M150BH-SS3022NY252	-	309	280	184	175
	223	300	174	190	800M150BH-BT-R300/90	1910	308.5	295	174	170
	223	300	174	190	800M150BH-BT-R300/95	1910	308.5	295	174	170
	155	259/233	315	209	225	800M155BH-GE1714	1343	420	330	209
-		325	195	215	800M160BH-567093	2072	340	347	195	200
160	262	325	187	203	800M160BH-7057	2191	375	330	187	225
	242	310	174	190	800M160BH-8L14664A	2072	350	335	174	220
	243	300	185	200	800M160BH-8L15077	1611	360	315	185	220
	242	305	174	190	800M160BH-GE1583	1343	310	310	174	170
	242	310	174	190	800M160BH-MR	2166	340	310	174	200
	233	330	178	194	800M160BH-USM	2104	418.5	320	178	280
165	269/243	335	209	225	800M165BH-GE1712	1910	443	350	209	290
170	243	330	199	215	800M170BH-USM	2787	435	320	199	280

d	d ₁	d ₂	b ₁	b ₂	BEARING & HOUSING Designations	Load Ratings Stat. C ₀ (kN)	l	m	n	k
170	243	315	210	220	800M170BH-7221	2445	367	320	210	220
	248	320	196	212	800M170BH-COCKERILL	2523	370	320	196	220
	239	295	160	180	800M170BH-CST	1747	362.5	295	160	225
180	239	295	160	180	800M180BH-MDL-CST	1847	362.5	295	160	225
	258	335	150	170	800M180BH-3621	2069	375	335	150	217.5
	258	335	150	170	800M180BH R335	2069	375	335	150	217.5
190	339	370	208	234	800M190BH-NSN	-	455	390	208	280
265	337	400	190	210	800M265/400BH DAN	2679	450	440/560	190	265