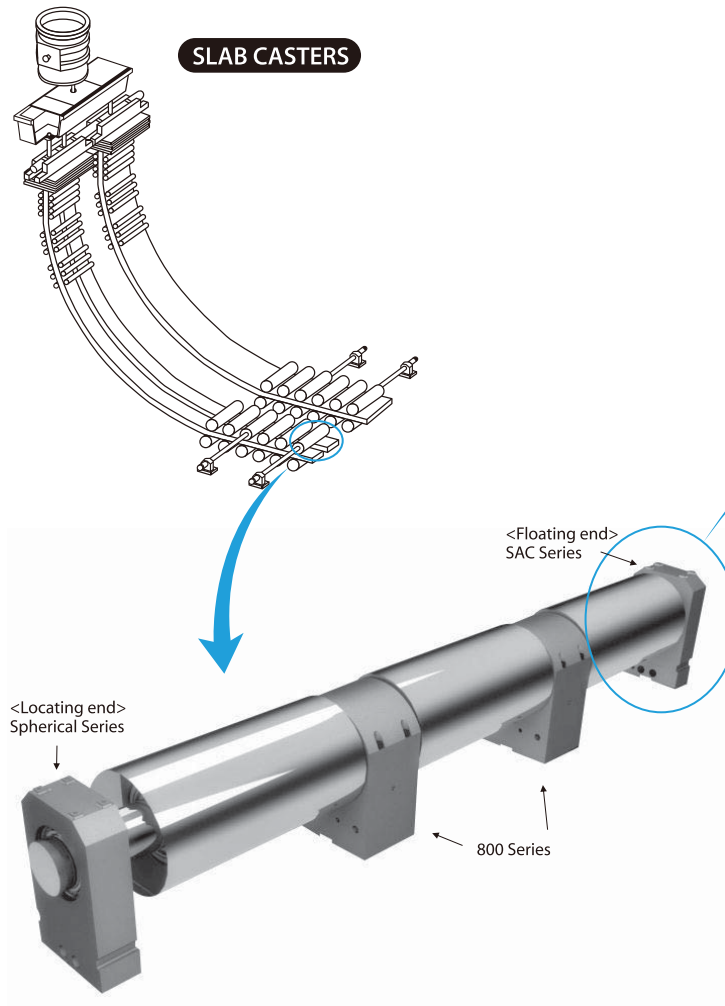


Self-aligning cylindrical roller bearing SAC series (For Driven guide roll in slab caster)



SAC Series



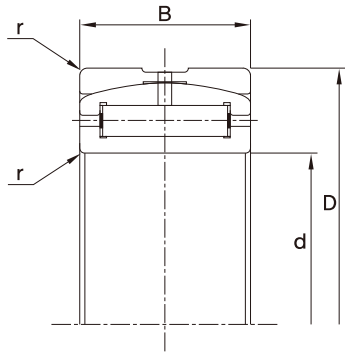
Components

- Outer Cover
- Outer ring
- Inner ring
- Roller

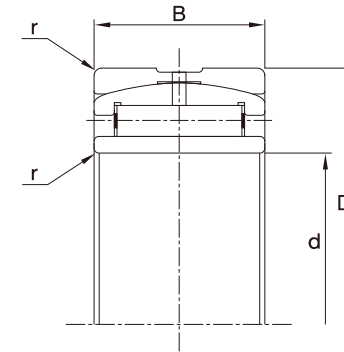
Advantages and special features

- While a spherical roller bearing is installed on one end of roll, self-aligning cylindrical roller bearing (SAC bearing) is widely used to the other end in order to comply with free movement of roll.
- Full complement of rollers can ensure heavy load.
- Plain shaped inner ring with cylindrical rollers give the following advantages.
 - Inner ring can be mounted on the shaft with tight fit, thus SAC bearings perform with great quality in high speeds and heavy load.
 - Easy dismantling
 - High accuracy of roll rotation
- For fitting in misalignment positions, the joint surfaces between outer cover and outer ring are rounded in order for self aligning.

SAC Series - Self Aligning Cylindrical roller bearing



BR - Locating Type



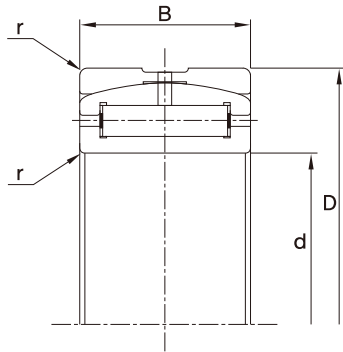
BX - Floating Type

ex) Reference No. SAC 22220 B : - SAC 22220 BX : Floating Type
 - SAC 22220 BR : Locating Type

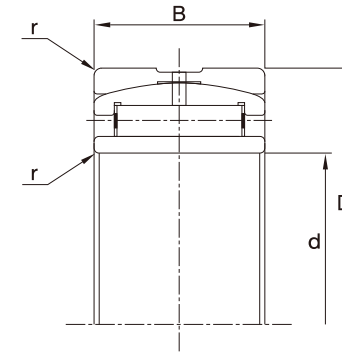
Shaft Dia.(d)	BEARING		Load Ratings		RPM r/min	D	B	r
	Designations millimeter		Dyn. C(kN)	Stat. C ₀ (kN)				
90	SAC 22218 B		225	374	1133	160	40	2
	SAC 23218 B		276	484	866	160	52.4	2
	SAC 21318 B		296	467	866	190	43	3
	SAC 22318 B		438	671	800	190	64	3
95	SAC 22219 B		250	412	1066	170	43	2.1
	SAC 21319 B		322	528	800	200	45	3
	SAC 22319 B		476	737	800	200	67	3
100	SAC 23120 B		280	539	933	165	52	2
	SAC 22220 B		276	456	1000	180	46	2.1
	SAC 23220 B		368	660	733	180	60.3	2.1
	SAC 21320 B		354	583	733	215	47	3
	SAC 22320 B		561	880	733	215	73	3
110	SAC 23022 B		226	484	1000	170	45	2
	SAC 23122 B		325	643	866	180	56	2
	SAC 24122 B		400	825	466	180	69	2
	SAC 22222 B		363	616	933	200	53	2.1
	SAC 23222 B		461	841	666	200	69.8	2.1
	SAC 21322 B		423	693	666	240	50	3
	SAC 22322 B		667	1061	666	240	80	3

Shaft Dia.(d)	BEARING		Load Ratings		RPM r/min	D	B	r
	Designations millimeter		Dyn. C(kN)	Stat. C ₀ (kN)				
120	SAC 23024 B		259	561	933	180	46	2
	SAC 24024 B		317	737	666	180	60	2
	SAC 23124 B		390	764	800	200	62	2
	SAC 24124 B		500	1045	400	200	80	2
	SAC 22224 B		491	841	866	215	58	2.1
	SAC 23224 B		542	1023	633	215	76	2.1
	SAC 22324 B		777	1232	600	260	86	3
130	SAC 23026 B		317	671	866	200	52	2
	SAC 24026 B		405	896	633	200	69	2
	SAC 23126 B		425	858	733	210	64	2
	SAC 24126 B		510	1100	400	210	80	2
	SAC 22226 B		485	880	800	230	64	3
	SAC 23226 B		614	1166	566	230	80	3
	SAC 22326 B		899	1452	566	280	93	4
140	SAC 23028 B		337	748	800	210	53	2
	SAC 24028 B		420	990	600	210	69	2
	SAC 23128 B		475	990	666	225	68	2.1
	SAC 24128 B		585	1276	366	225	85	2.1
	SAC 22228 B		532	990	733	250	68	3
	SAC 23228 B		711	1375	533	250	88	3
	SAC 22328 B		1039	1716	500	300	102	4

SAC Series - Self Aligning Cylindrical roller bearing



BR - Locating Type



BX - Floating Type

ex) Reference No. SAC 22220 B : - SAC 22220 BX : Floating Type
 - SAC 22220 BR : Locating Type

Shaft Dia.(d)	BEARING		Load Ratings		RPM r/min	D	B	r
	Designations millimeter		Dyn. C(kN)	Stat. C ₀ (kN)				
150	SAC 23030 B		371	825	733	225	56	2.1
	SAC 24030 B		479	1144	566	225	75	2.1
	SAC 23130 B		630	1320	600	250	80	2.1
	SAC 24130 B		780	1683	333	250	100	2.1
	SAC 22230 B		655	1188	666	270	73	3
	SAC 23230 B		833	1606	500	270	96	3
	SAC 22330 B		1168	1936	466	320	108	4
	SAC 23032 B		430	968	733	240	60	2.1
160	SAC 24032 B		557	1320	500	240	80	2.1
	SAC 23132 B		735	1507	566	270	86	2.1
	SAC 24132 B		904	1936	300	270	109	2.1
	SAC 22232 B		768	1419	633	290	80	3
	SAC 23232 B		952	1826	466	290	104	3
	SAC 22332 B		1269	2156	433	340	114	4
	SAC 23034 B		527	1166	666	260	67	2.1
	SAC 24034 B		679	1606	466	260	90	2.1
170	SAC 23134 B		780	1650	533	280	83	2.1
	SAC 24134 B		930	2046	283	280	109	2.1
	SAC 22234 B		870	1606	566	310	86	4
	SAC 23234 B		1085	2123	433	310	110	4
	SAC 22334 B		1416	2376	433	360	120	4

Shaft Dia.(d)	BEARING		Load Ratings		RPM r/min	D	B	r
	Designations millimeter		Dyn. C(kN)	Stat. C ₀ (kN)				
180	SAC 23936 B		353	913	733	250	52	2
	SAC 23036 B		616	1375	600	280	74	2.1
	SAC 24036 B		796	1903	433	280	100	2.1
	SAC 23136 B		913	1936	500	300	96	3
	SAC 24136 B		1061	2376	266	300	118	3
	SAC 22236 B		898	1716	566	320	86	4
	SAC 23236 B		1148	2332	400	320	112	4
	SAC 22336 B		1591	2695	400	380	126	4
	SAC 23938 B		339	880	733	260	52	2
	SAC 23038 B		640	1474	566	290	75	2.1
190	SAC 24038 B		831	1980	433	290	100	2.1
	SAC 23138 B		1020	2288	466	320	104	3
	SAC 24138 B		1190	2750	250	320	128	3
	SAC 22238 B		987	1870	533	340	92	4
	SAC 23238 B		1299	2640	366	340	120	4
	SAC 22338 B		1720	2915	366	400	132	5
	SAC 23940 B		447	1144	666	280	60	2.1
	SAC 23040 B		748	1683	533	310	82	2.1
	SAC 24040 B		960	2332	400	310	109	2.1
	SAC 23140 B		1200	2596	433	340	112	3
200	SAC 24140 B		1374	3080	233	340	140	3
	SAC 22240 B		1130	2123	500	360	98	4
	SAC 23240 B		1432	2970	366	360	128	4
	SAC 22340 B		1858	3190	366	420	138	5