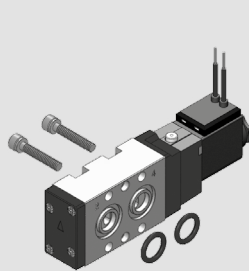
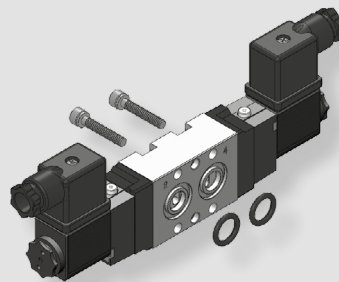


KS524 series (NAMUR Small type)



KS524S-2GL



KS524D-2D

How to Order

KS 524 S - 2 GL -

① ② ③ ④ ⑤

① Port type

Nil	Rc(PT) (Standard)
G	G

② Function

Function		Symbol
S	Single acting	
D	Double acting	

③ Voltage

1	AC 100/110V 50/60Hz
2	AC 200/220V 50/60Hz
3	DC 24V
4	DC 12V

* Custom made with AC24V, AC48V, DC48V, DC100V is available.

④ Electrical connection

GL	Lead wire & lamp
G	Lead wire
D	DIN coil + DIN connector
DUL	DIN coil + DIN connector (UL Approval)
Z	DIN coil + DIN connector with lamp + Surge suppressor
ZUL	DIN coil + DIN connector with lamp + Surge suppressor (UL Approval)
GU	Lamp with 90°plug(400mm)
GP	Lamp with 180°plug(400mm)
DEXT4	Explosion proof
M	DIN coil + Metal DIN connector

⑤ Manual override

Nil	Non-locking push type (Standard)
L	Locking type

Specifications

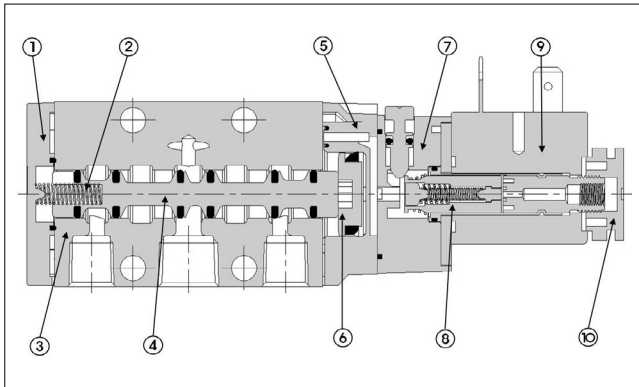
Type	S	D
Fluid	Air, Inert gas	
Port size	Rc(PT) 1/4, G 1/4	
Effective sectional area Smm ² (Cv)	19mm ² (1.0)	
Operating pressure	1.5~9kgf/cm ² (0.15~0.9MPa)	
Max. operating frequency	5 cycle/sec	
Response time {at 5kgf/cm ² (0.5MPa)}	≤ 30ms	
Lubrication	Not required	
Manual override	Non-locking push type (Standard), Locking type	
Power consumption	DC	2.8W
	AC	4.5/3.6VA (50/60Hz)
Allowable voltage	±10% rated voltage	
Ambient & fluid temperature	5℃~60℃	
Coil insulation	Class F	
Applicable cylinder	Ø32~Ø100	
Weight	224g	316g

GL Lead wire & lamp	G Lead wire	D/DUL DIN coil + DIN connector (UL Approval)	Z/ZUL DIN coil + DIN connector with lamp + Surge suppressor (UL Approval)	M DIN coil + Metal DIN connector
GU Lamp with 90°plug	GP Lamp with 180°plug	DEXT4 Explosion proof Level of explosion-proof II 2G EEx mb II T4 II 2D IP65 T 130°	LOCK Manual operation	

Features

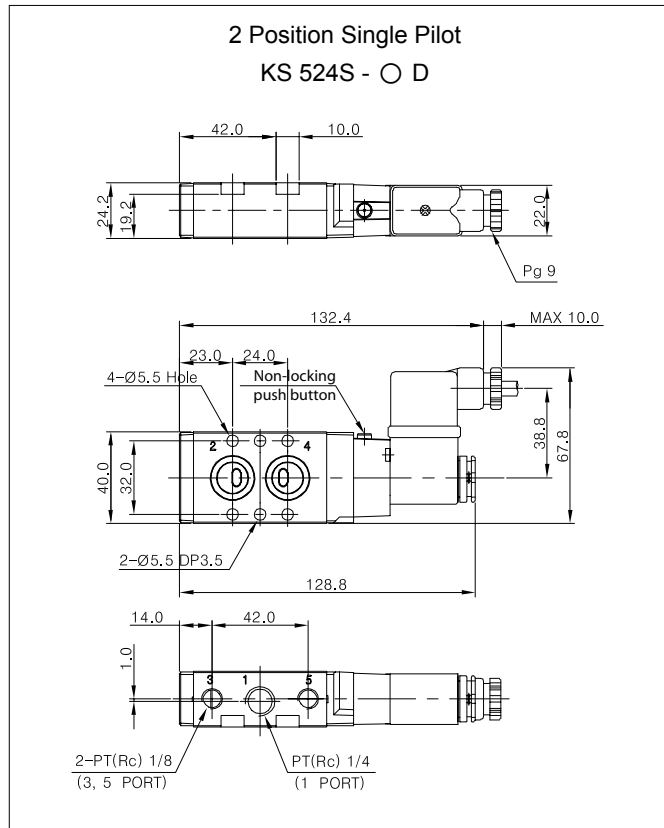
- Excellent durability with its non-lubricated type.
- Perfect for controlling system by PLC or computer with its low consuming current type.
- Large capacity valve can be used in combination with large pneumatic actuator.

Structure

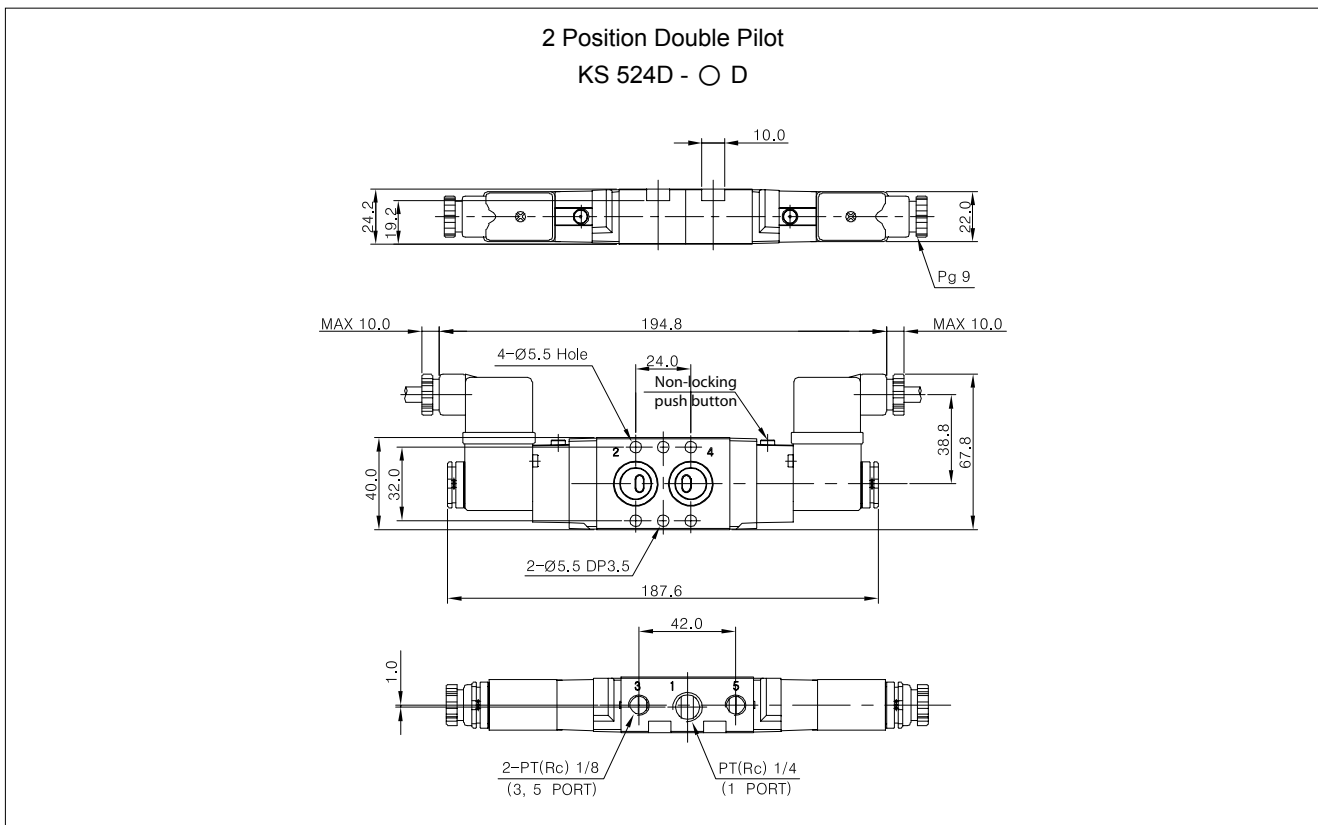


Part no.	Parts	Material
1	Cover	Plastic Resin
2	Spool Spring	SUS
3	Body	AL D/C
4	Spool Ass'y	AL & Others
5	Pilot	Plastic Resin
6	Piston	Plastic Resin
7	Seat	Plastic Resin
8	Plunger	Stainless Steel
9	Coil Ass'y	CU & Others
10	Lock Nut	Plastic Resin

Dimensions



Dimensions



Solenoid Valve

Reference Data

KT100
KMF0100

KS105
KMF0500

KS210
KMF1000

KS320
KMF2000

KS530
KMF3000

KS640
KMF4000

KS524

KS534

KS328

KS760

KS341
KMF2341

KS342
KMF2342

KPS542

KCAS

KJAS

KST