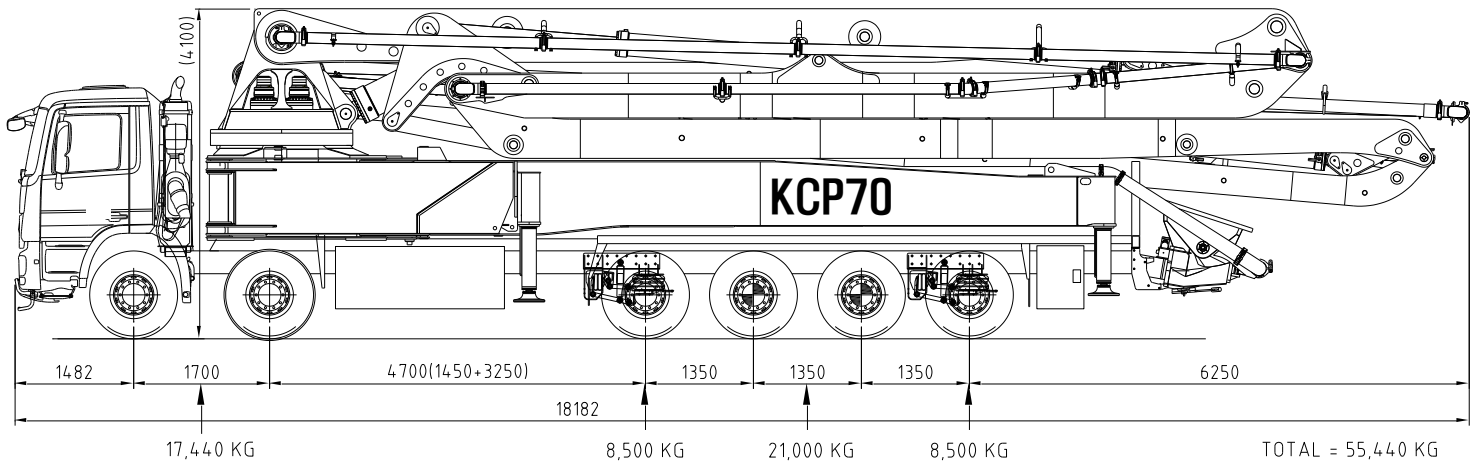


Our Pride ...

# KCP70ZS170



### ▣ Boom specifications

Vertical reach	69.45M
Horizontal reach	65.22M
Reach from front of truck	61.90M
Unfolding height	15.6 M
Section articulation	92°/180°/200°/180°/200°
Rotation	370°
Delivery line	125 mm
Proportional boom	Yes
End hose length	3.5M
Outrigger spread-front	13.7 M
Outrigger spread-rear	13.63 M
Max.outrigger weight	55,000kg

⊙ Truck specifications : Mercedes benz-4150

⊙ Maximum theoretical values listed.

⊙ Photos and drawings are for illustrative purpose only

⊙ Right to make technical amendments reserved

### ▣ Working diagram

### ▣ Pump specifications

Maximum output	170 m <sup>3</sup> /h
Concrete cylinder	Ø230×2100
Stroke per minute	32
Concrete pressure	87.5 bar
Hopper capacity	0.6 m <sup>3</sup>
S-tube	Ø200×Ø180
Hydraulic pump	Rexroth A20VLO190
Cycling system	Hydraulic with manual overrides
Max. aggregate size	40 mm

