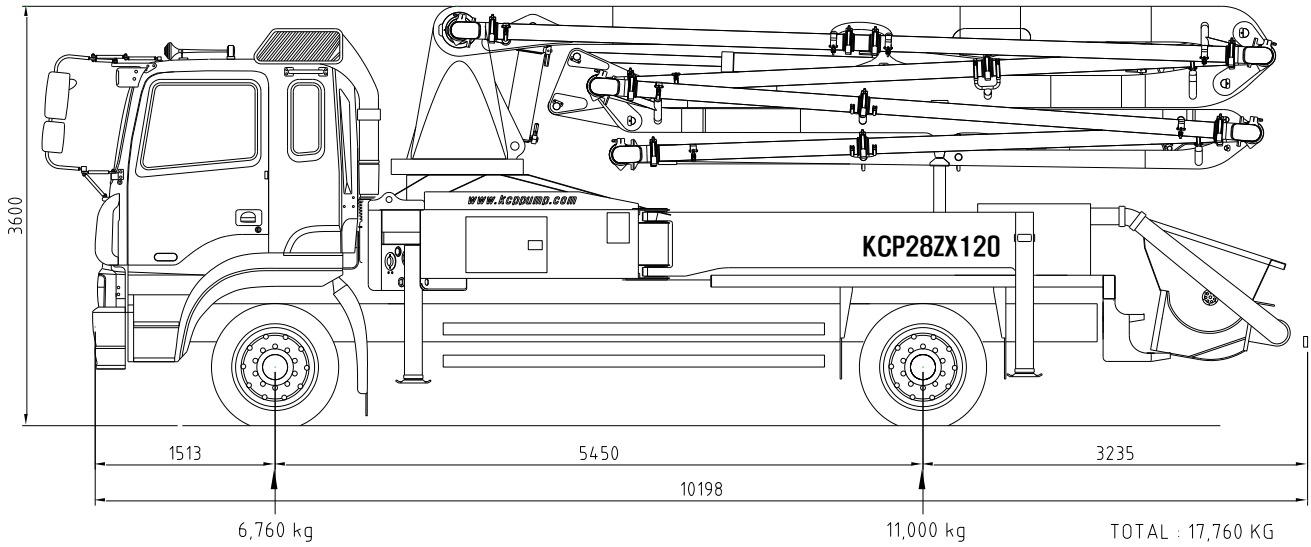


*Our Pride ...*

# KCP28ZX120

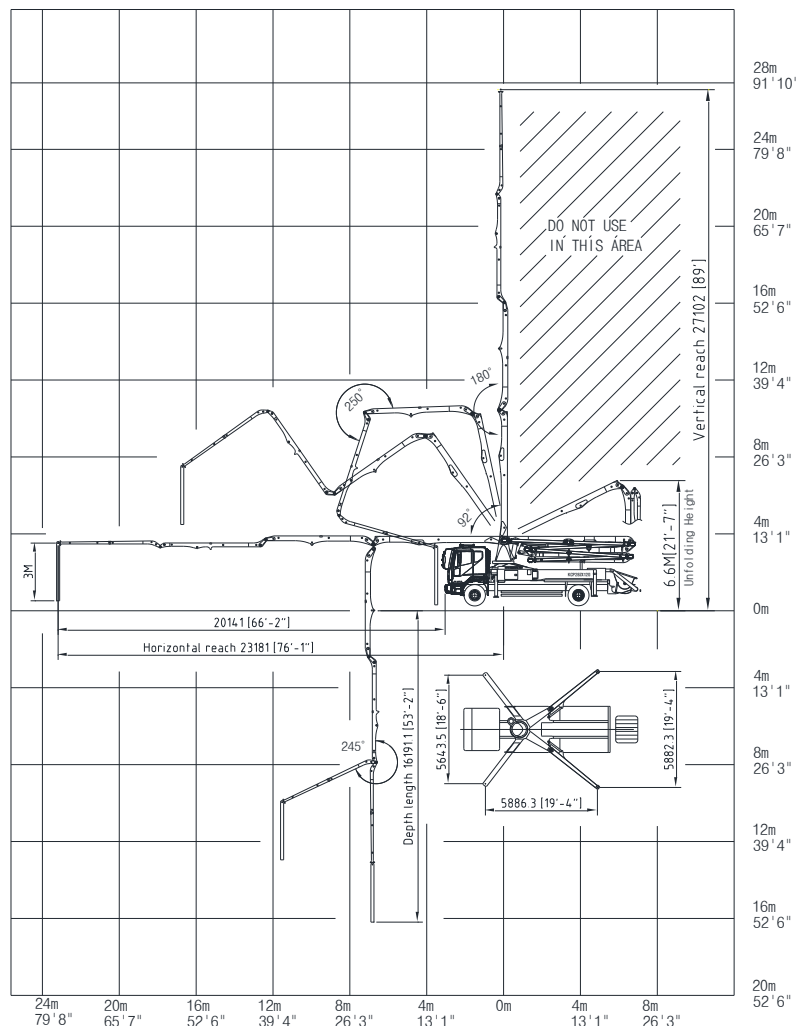


## ▣ Boom specifications

Vertical reach	27.1M
Horizontal reach	23.2M
Reach from front of truck	20.3M
Unfolding height	6.6 M
Section articulation	92°/180°/250°/245°
Rotation	370°
Delivery line	125 mm
Proportional boom	Yes
End hose length	3M
Outrigger spread-front	5.64 M
Outrigger spread-rear	5.88 M
Max.outrigger weight	13,000kg

- ⊙ Truck specifications : HYUNDAI – HD8T (310PS, EURO5)
- ⊙ Maximum theoretical values listed.
- ⊙ Photos and drawings are for illustrative purpose only
- ⊙ Right to make technical amendments reserved

## ▣ Working diagram



## ▣ Pump specifications

Maximum output	100 m³/h
Concrete cylinder	Ø230×1800
Stroke per minute	23
Concrete pressure	69 bar
Hopper capacity	0.6 m³
S-tube	Ø200×Ø180
Hydraulic pump	KCP - K3V180S
Cycling system	Hydraulic with manual overrides
Max. aggregate size	40 mm